



Thank you for purchasing Leick Furniture products.
Contact customer service for comments or concerns.

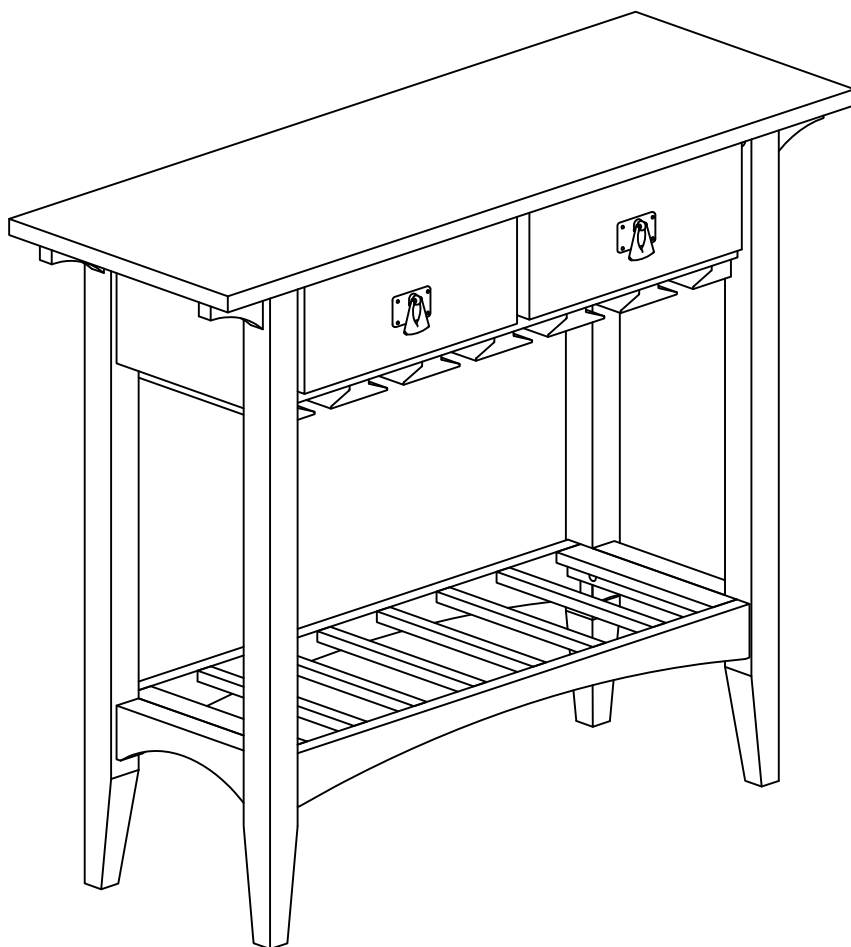
Sheboygan, WI

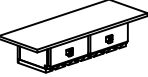

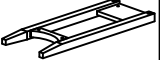
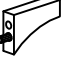

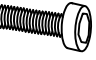




920-451-4060

info@leickfurnituresince1910.com

www.leickfurnituresince1910.com

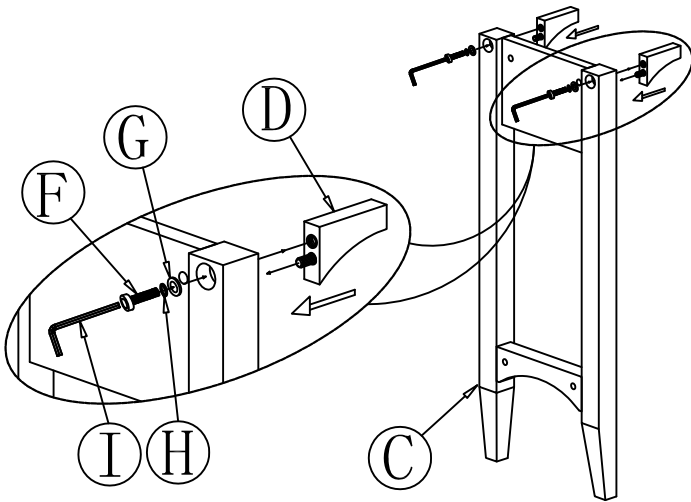
Assembly Instructions, #9061 Mission Wine Stand



A: Top Assembly	
B: Shelf	
C: (2) Leg Frames	
D: (4) Wedges	
E: (4) Large Bolts	
F: (8) Short Bolts	
G: (12) Flat Washers	
H: (12) Lock Washers	
I: Allen Wrench	
J: (2) Extra Drawer Glides	

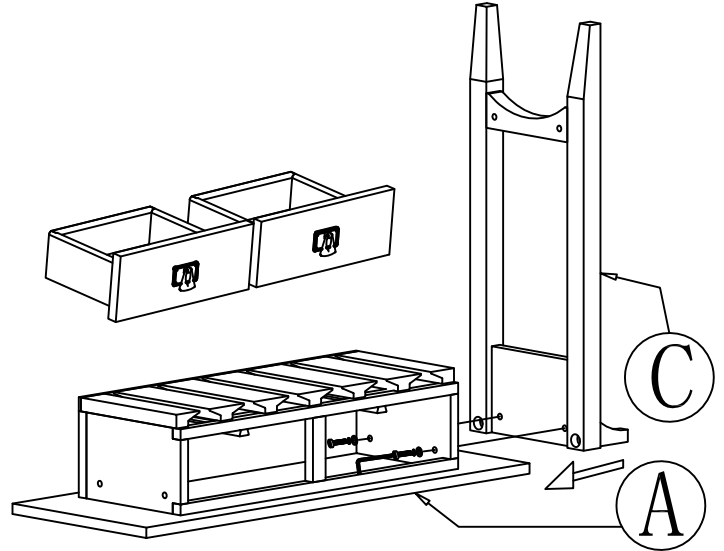
Step 1

Attach the wedges on leg and tighten with (4) short bolts, flat washers and lock washers.



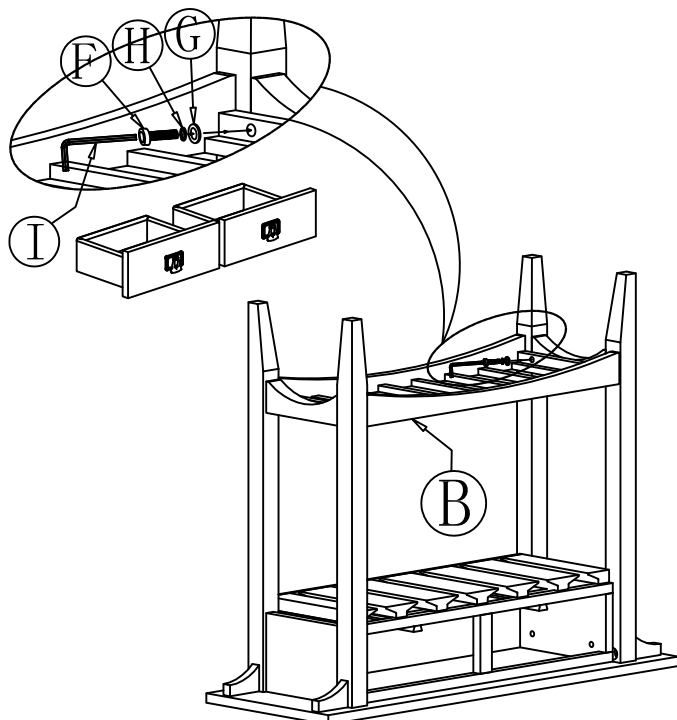
Step 2

Remove drawers and put the top assembly upside down. Fasten the legs with (4) large bolts, flat washers, and lock washers. Tighten in step 2.



Step 3

Put the shelf upside down on legs and tighten with (4) short bolts, flat washers, and lock washers.



Step 4

Place the table upright, then put the drawers back into the table.

