

SPECIFICATIONS

DESCRIPTION

- 4365 4-function handshower
- Square slide bar 7/8" (22mm)
- 59" (150 cm) shower hose with 2 check valves

FLOW

- 7.6 L/min (2 gpm) (80psi) max / 5.7 L/min (1.5 gpm) (45 psi) min
- 6.8 L/min (1.8 gpm) (80psi) max / 5.1 L/min (1.3 gpm) (45 psi) min [4665-WS]

STANDARDS

- ASME A112.18.1 / CSA B125.1

WARRANTY

- Most products or parts carry "Limited Warranties" against manufacturing defects. For US customers please visit houseofrohl.com/support and for Canadian customers please visit houseofrohl.ca/support for complete product and finish warranty.

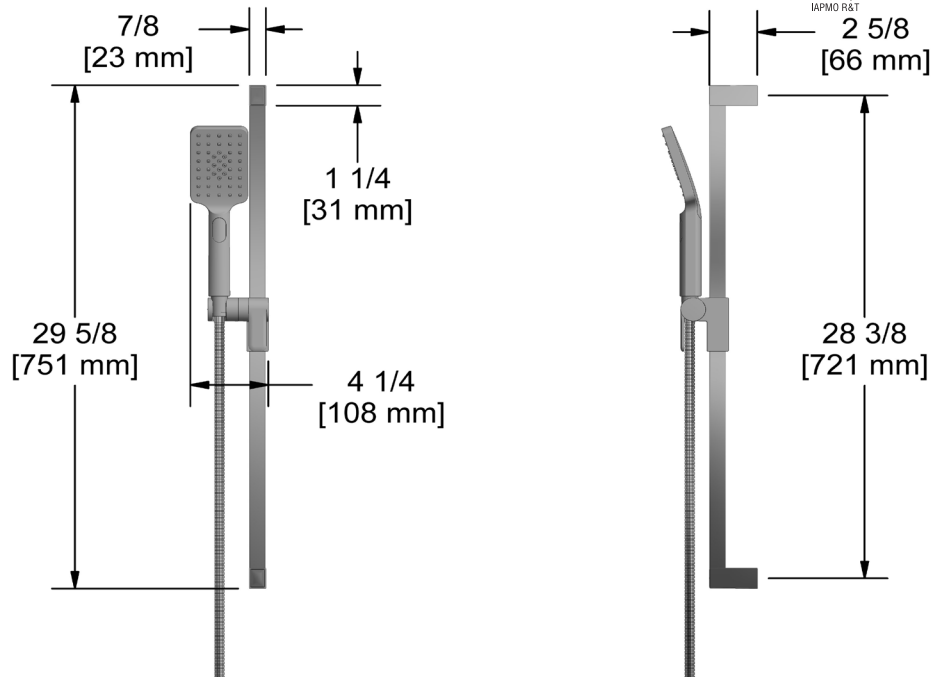


Handshower Set With 30" Slide Bar and 4-Function Handshower

MODELS: 4665



UPC®



For warranty or additional information, contact:

US Customers

U.S.A.
houseofrohl.com/support
 1-800-777-9762

QUEBEC / MARITIMES / WESTERN CANADA
 QUÉBEC / MARITIMES / OUEST CANADIEN
 QUEBEC / MARITIMOS / CANADA OCCIDENTAL
houseofrohl.ca/support
 1-866-473-8442

Canadian Customers

ONTARIO
houseofrohl.ca/support
 1-800-287-5354

SPÉCIFICATIONS

DESCRIPTION

- 4365 douchette 4 fonctions
- Barre carrée 22mm (7/8")
- Boyau de douche 150 cm (59") avec 2 clapets anti-retour

DÉBITS DISPONIBLES

- 7.6 L/min (2 gpm) (80psi) max / 5.7 L/min (1.5 gpm) (45 psi) min
- 6.8 L/min (1.8 gpm) (80psi) max / 5.1 L/min (1.3 gpm) (45 psi) min (4665-WS)

CERTIFICATIONS

- ASME A112.18.1 / CSA B125.1

GARANTIE

- La plupart des produits ou pièces comprend des «garanties limitées» contre les défauts de fabrication. Pour les clients des États-Unis: veuillez consulter houseofrohl.com/support; Pour les clients du Canada : veuillez consulter houseofrohl.ca/support pour connaître les conditions complètes de la garantie des produits et finis.

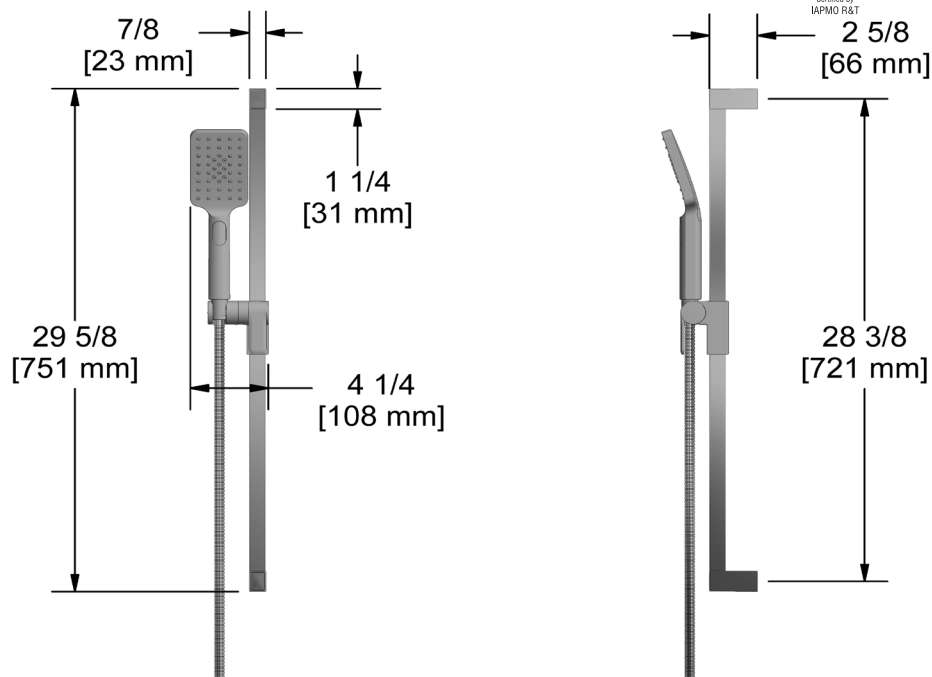


Douchette sur rail

MODÈLES : 4665



UPC®



For warranty or additional information, contact:

US Customers

U.S.A.
houseofrohl.com/support
1-800-777-9762

QUEBEC / MARITIMES / WESTERN CANADA
QUÉBEC / MARITIMES / OUEST CANADIEN
QUEBEC / MARITIMOS / CANADA OCCIDENTAL
houseofrohl.ca/support
1-866-473-8442

Canadian Customers

ONTARIO
houseofrohl.ca/support
1-800-287-5354

ESPECIFICACIONES

DESCRIPCIÓN

- Ducha de mano de 4 funciones 4365
- Barra deslizante cuadrada 7/8" (22mm)
- Flexo de 150 cm (59") y 2 válvulas anti retorno

FLUJO

- 7.6 L/min (2 gpm) (80psi) max / 5.7 L/min (1.5 gpm) (45 psi) min
- 6.8 L/min (1.8 gpm) (80psi) max / 5.1 L/min (1.3 gpm) (45 psi) min [4665-WS]

ESTÁNDARES

- ASME A112.18.1 / CSA B125.1

GARANTÍA

- La mayoría de los productos o piezas cuentan con "Garantías Limitadas" por defectos de fabricación. A los clientes en EE. UU. se les recomienda visitar houseofrohl.com/support y a los clientes en Canadá, houseofrohl.ca/support, para consultar las condiciones completas de la garantía de los productos y acabados.

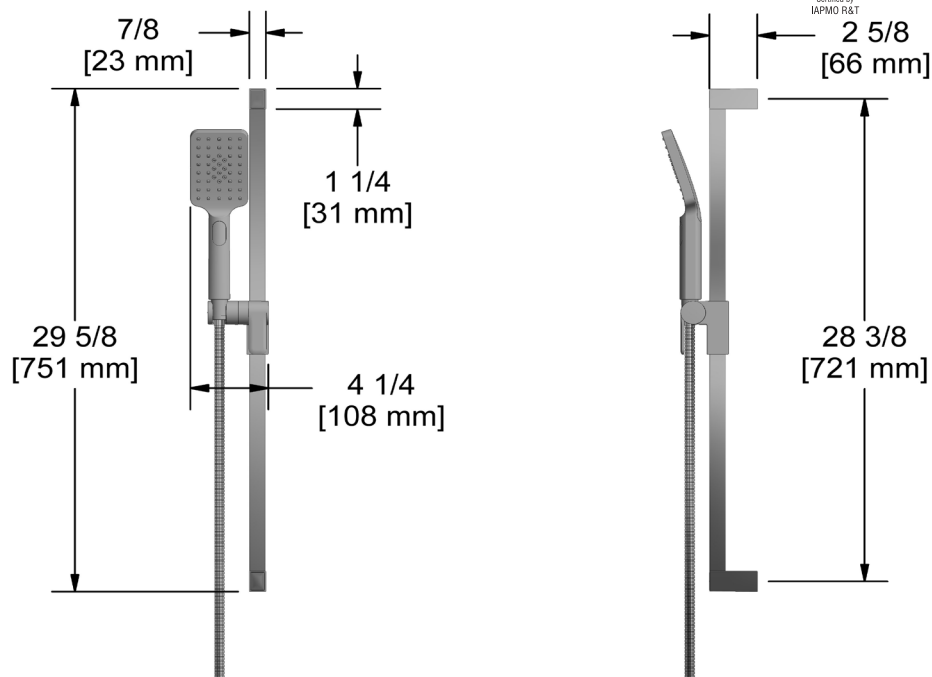


Barra de ducha de mano

MODELOS: 4665



UPC®



For warranty or additional information, contact:

US Customers

U.S.A.
houseofrohl.com/support
1-800-777-9762

QUEBEC / MARITIMES / WESTERN CANADA
QUÉBEC / MARITIMES / OUEST CANADIEN
QUEBEC / MARITIMOS / CANADA OCCIDENTAL
houseofrohl.ca/support
1-866-473-8442

Canadian Customers

ONTARIO
houseofrohl.ca/support
1-800-287-5354