

**Item No: TDF - 00002**

Zoo kingdom Unicorn Bookshelf

## **WARNING**

Small parts and sharp points may be present prior to assembly.

## **CARE INSTRUCTIONS**

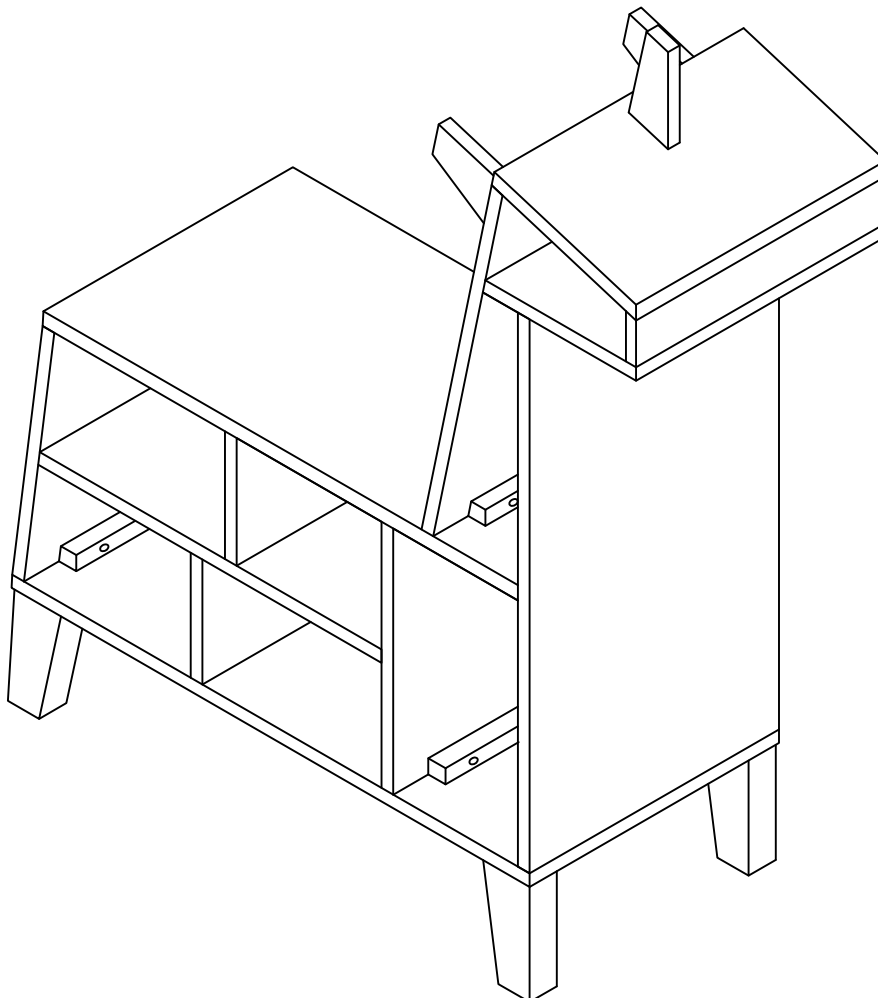
To clean your product, use mild soap and water on a damp cloth. Do not use window cleaners or cleaning abrasives as they will scratch the surface and could damage the protective coating .

**Periodically check to make sure all connections are tight. Re-tighten if necessary.**



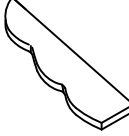
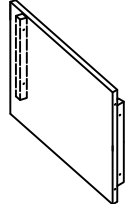


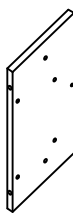
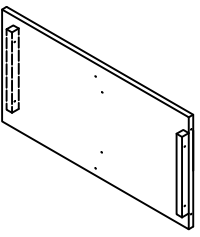
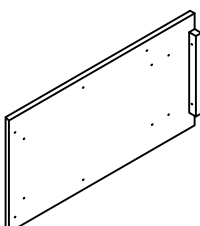
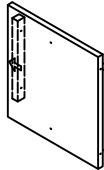

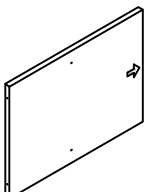
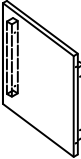

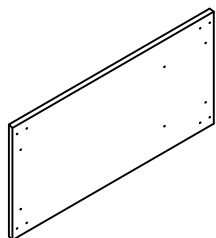
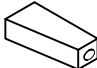
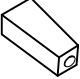
## **CUSTOMER SERVICE**

For questions regarding this product, or to receive replacement or missing parts, please contact customer service based on your location. Please have ready the model number and part number(s) located in this assembly instruction sheet when you contact us.

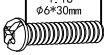
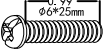
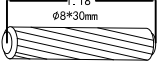

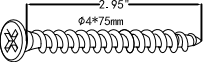
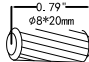
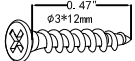
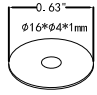

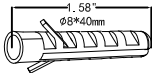
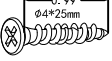
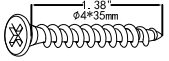
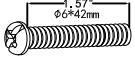
[www.teamsonkids.com](http://www.teamsonkids.com)



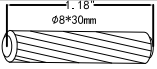
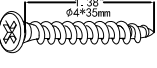
# PRODUCT PARTS

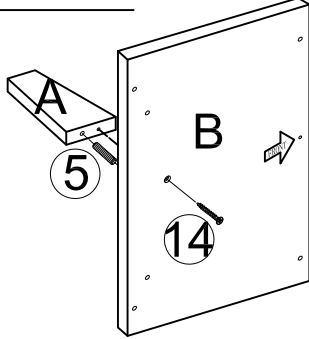
<b>A</b>  1PC	<b>B</b>  1PC	<b>C</b>  1PC	<b>D</b>  1PC
<b>E</b>  2PCS	<b>F</b>  1PC	<b>G</b>  1PC	<b>H</b>  1PC
<b>I</b>  1PC	<b>J</b>  1PC	<b>K</b>  2PCS	<b>L</b>  1PC
<b>M</b>  1PC	<b>N</b>  1PC	<b>O</b>  1PC	<b>P</b>  2PCS
<b>Q</b>  2PCS			

# HARDWARE

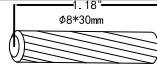

②		8 PCS	③		12 PCS
⑤		45 PCS	⑥		1 PC
⑦		1 PC	⑧		1 PC
⑨		1 PC	⑩		2 PCS
⑪		1 PC	⑫		1 PC
⑬		1 PC	⑭		5 PCS
⑯		4 PCS			

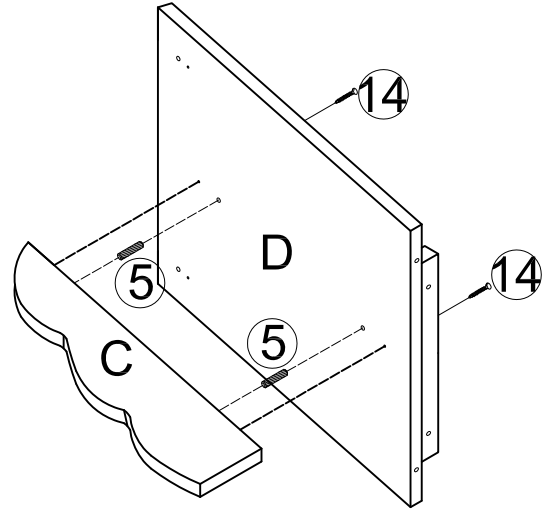
### STEP1

- |    |   |      |
|----|---|------|
| 5  |  | 1 PC |
| 14 |  | 1 PC |

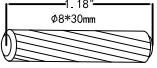
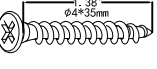


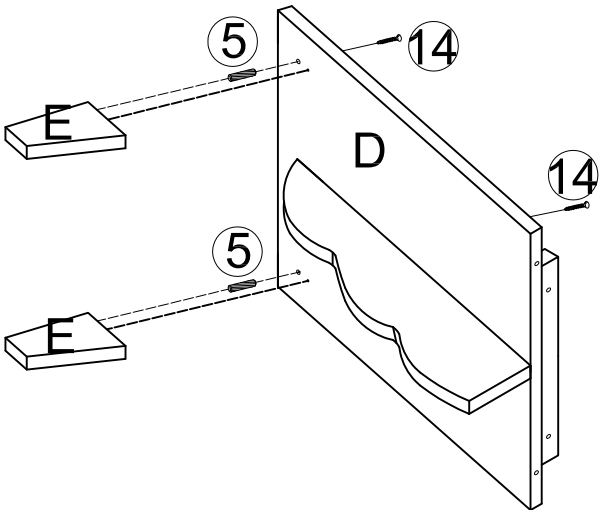
### STEP2

- |    |   |       |
|----|---|-------|
| 5  |  | 2 PCS |
| 14 |  | 2 PCS |

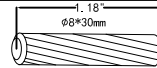


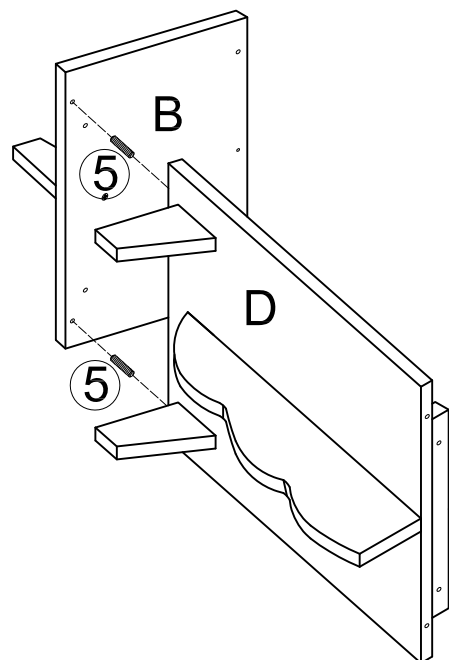
### STEP3

- |    |   |       |
|----|---|-------|
| 5  |   | 2 PCS |
| 14 |  | 2 PCS |

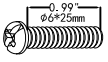


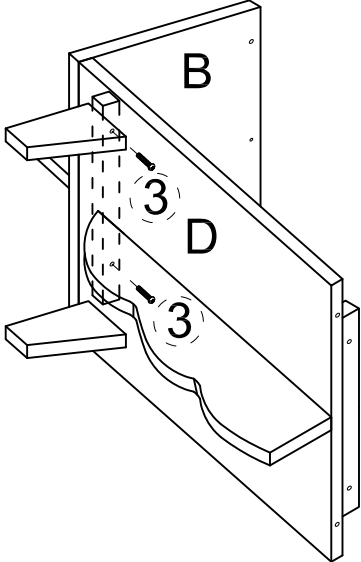
### STEP4

- |   |   |       |
|---|---|-------|
| 5 |  | 2 PCS |
|---|---|-------|

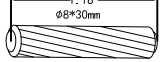


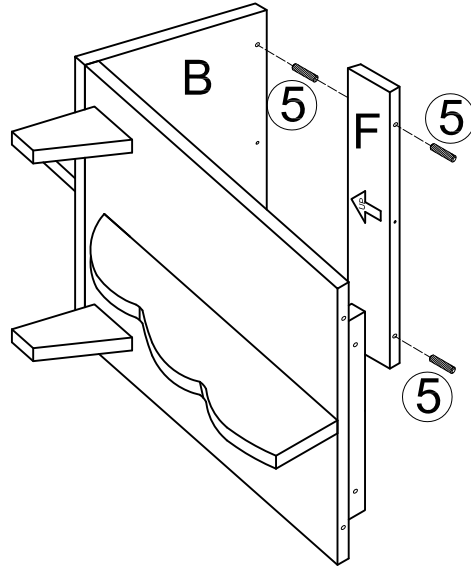
### STEP5

③  2 PCS

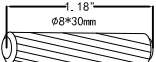


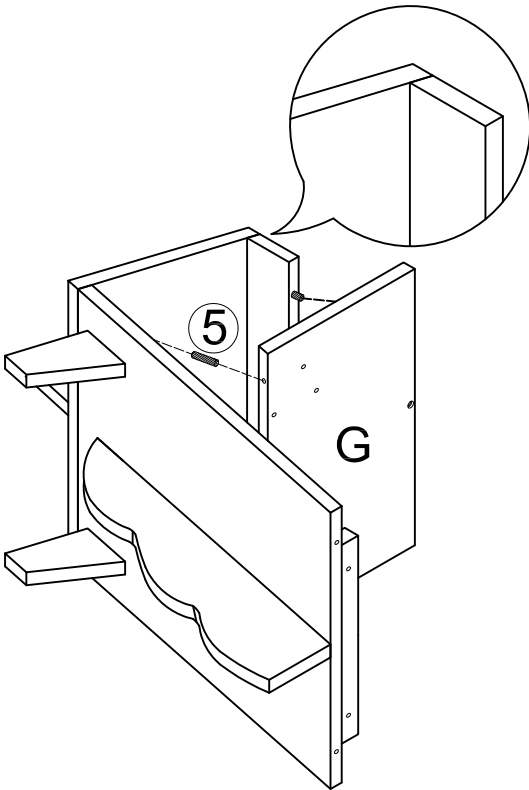
### STEP6

⑤  4 PCS

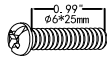



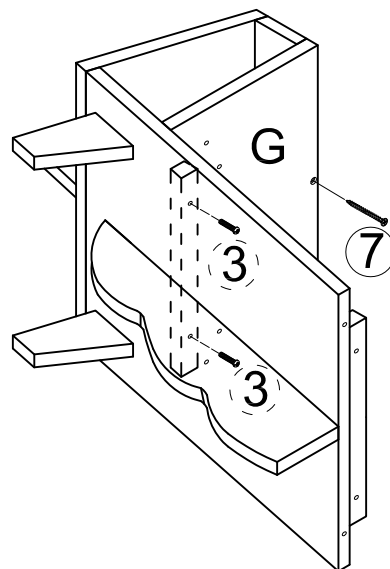
### STEP7

⑤  2 PCS

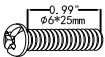
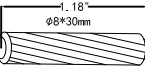


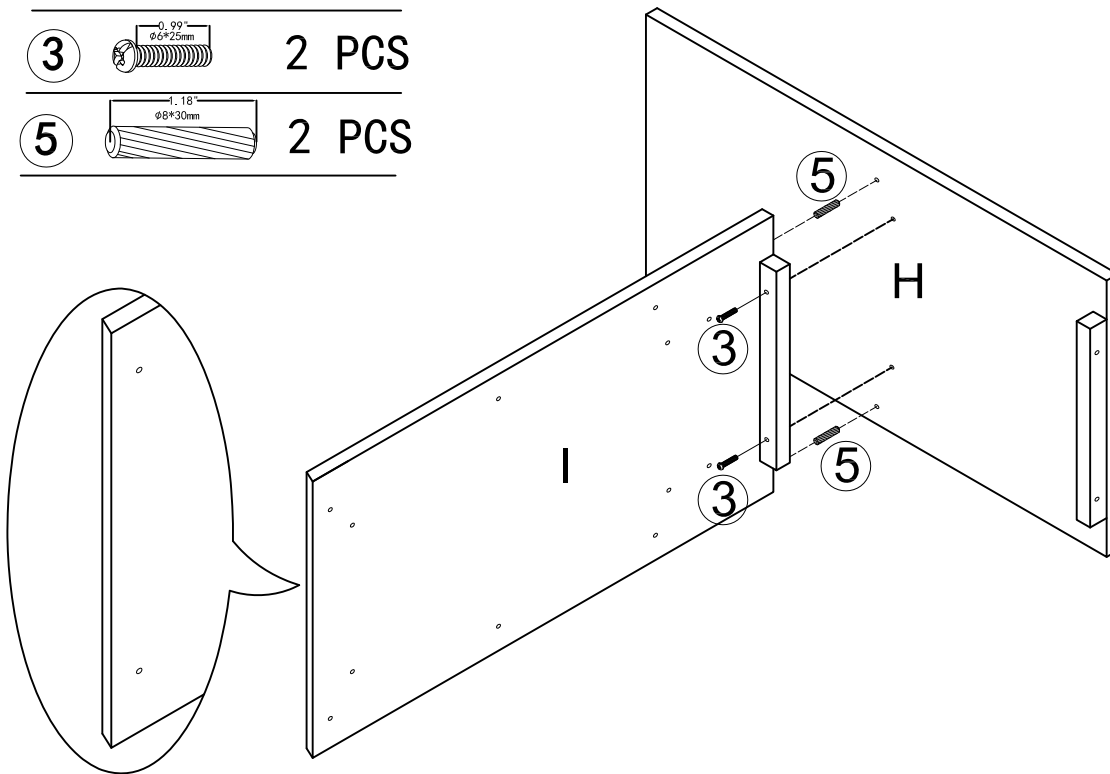
### STEP8

③  2 PCS  
⑦  1 PC

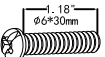
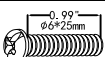
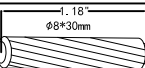


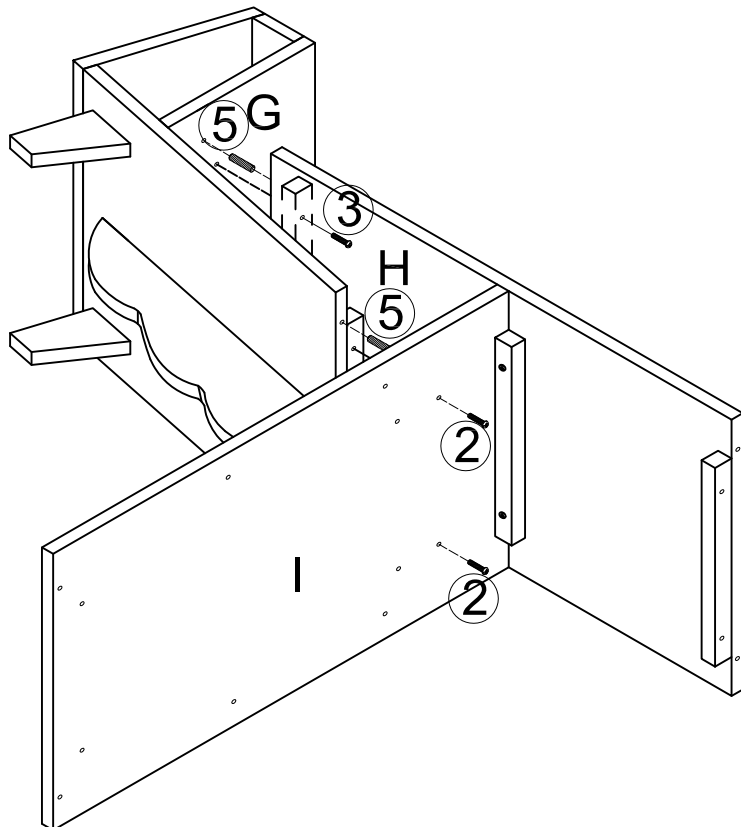
### STEP9

- |   |   |       |
|---|---|-------|
| ③ |  | 2 PCS |
| ⑤ |  | 2 PCS |

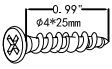
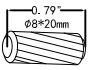


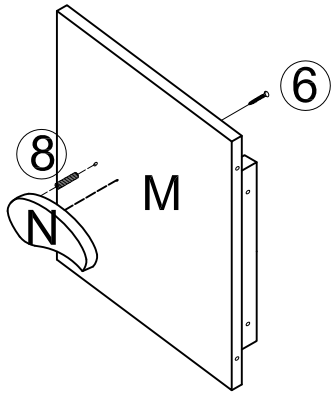
### STEP10

- |   |   |       |
|---|---|-------|
| ② |  | 2 PCS |
| ③ |  | 2 PCS |
| ⑤ |  | 4 PCS |

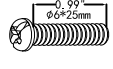
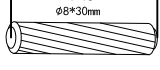


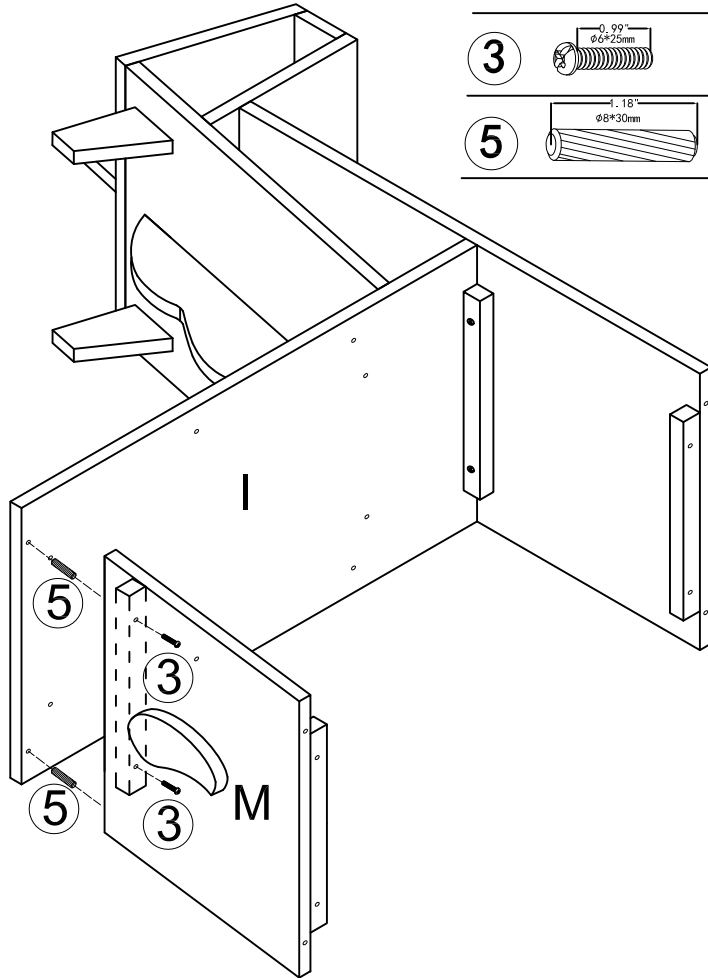
### STEP11

6		1 PC
8		1 PC

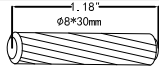


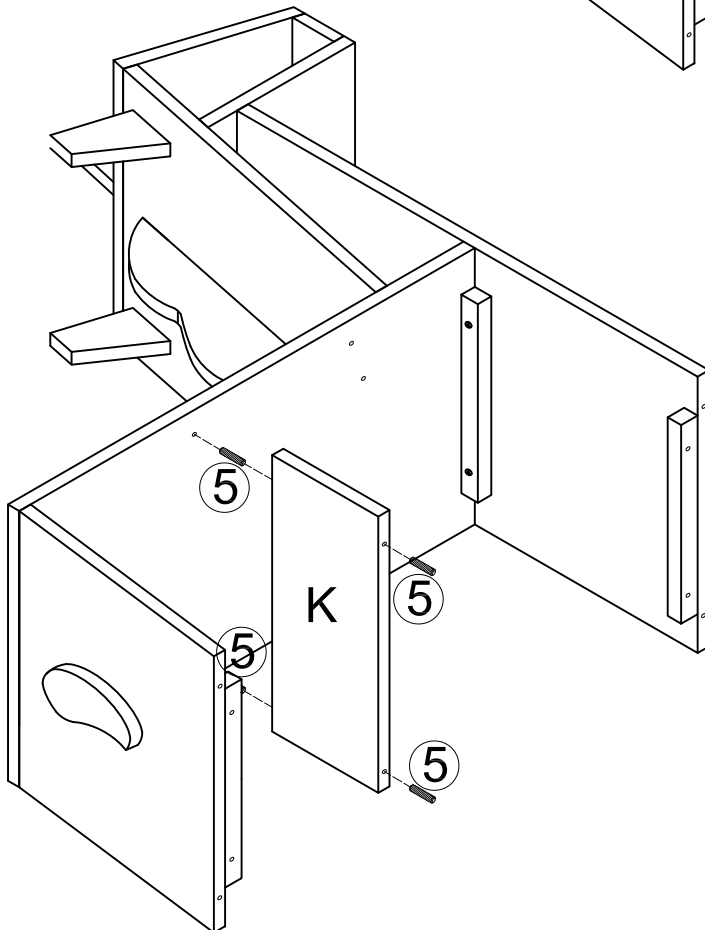
### STEP12

3		2 PCS
5		2 PCS

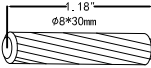


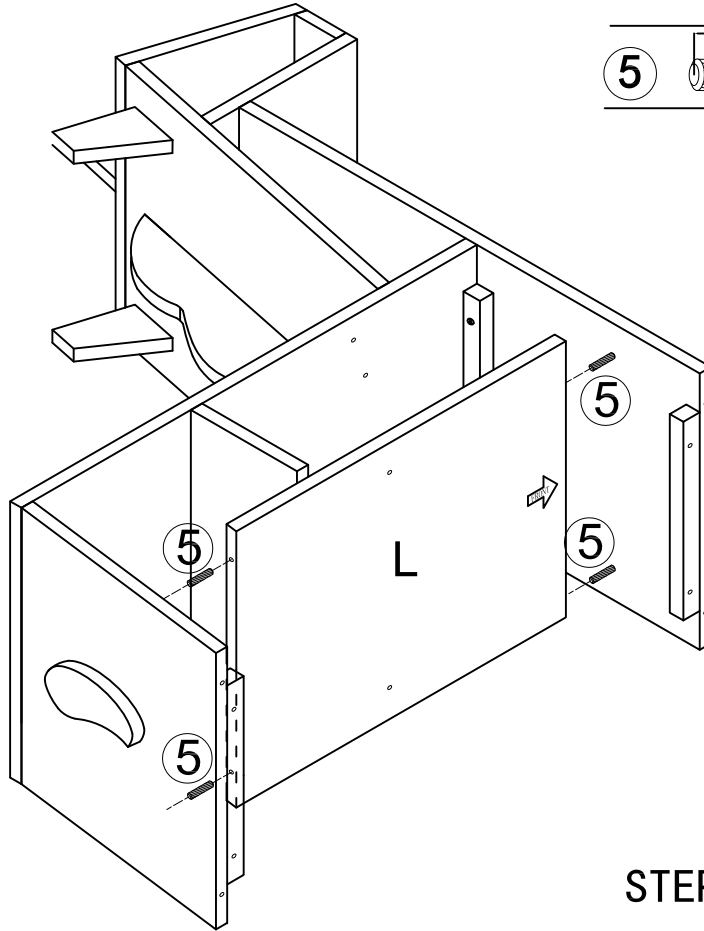
### STEP13

5		4 PCS
---	---	-------

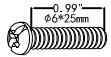


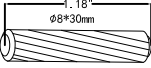
# STEP14

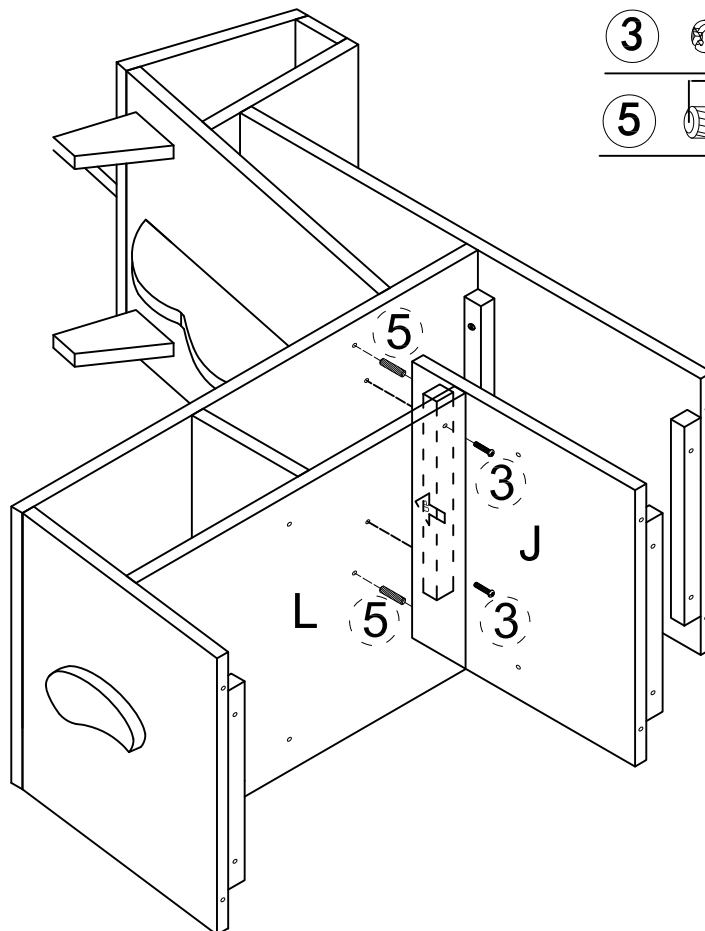
5  4 PCS



# STEP15

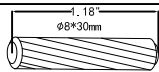
3  2 PCS

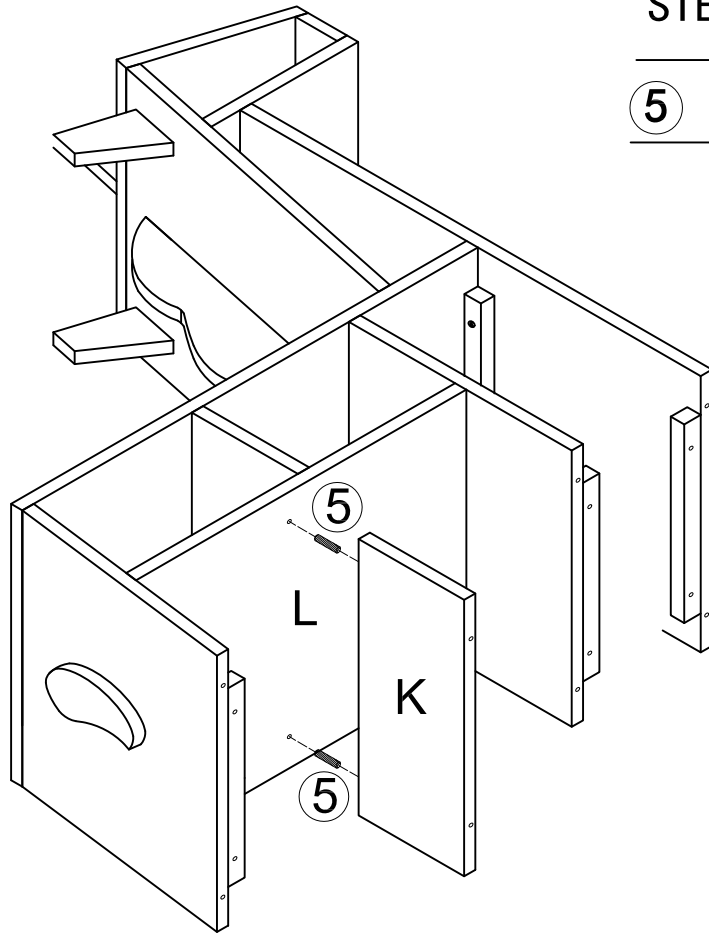
5  2 PCS



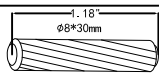


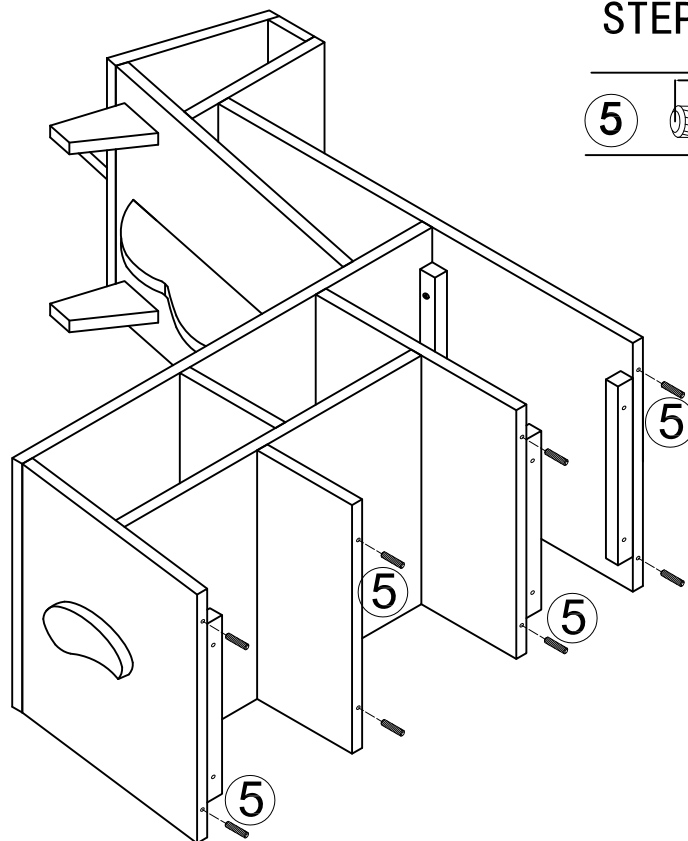
## STEP16

⑤  2 PCS

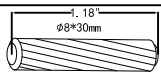


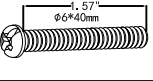
## STEP17

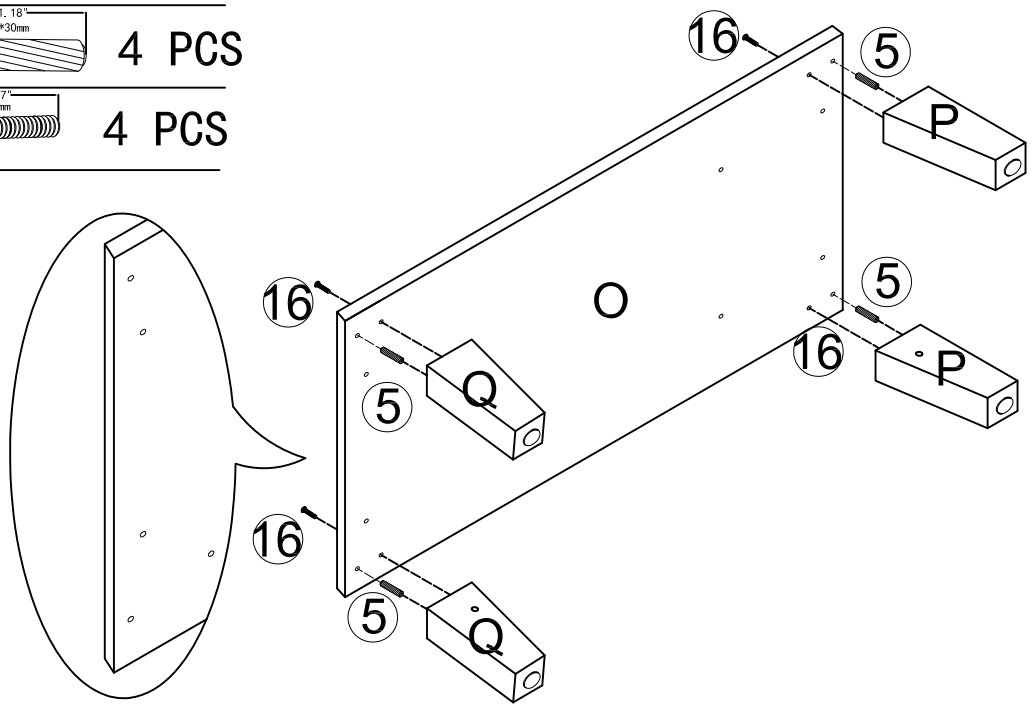
⑤  8 PCS



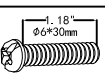
# STEP18

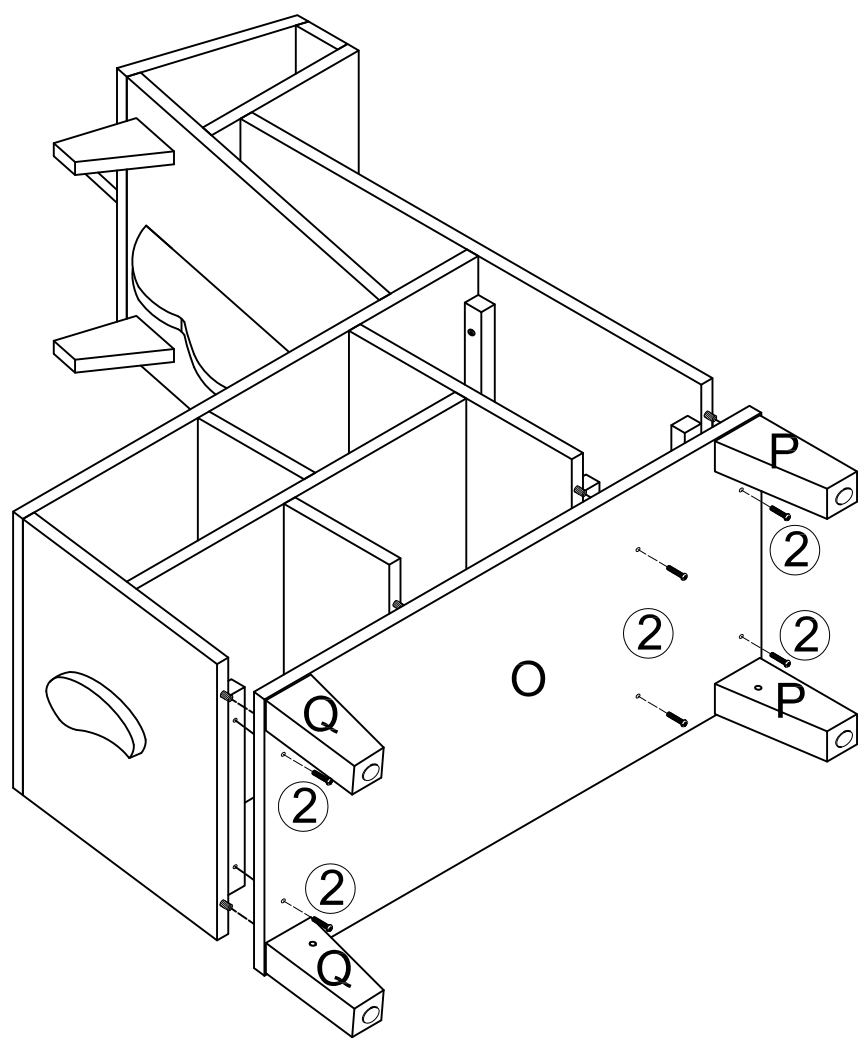
⑤  4 PCS

⑬  4 PCS

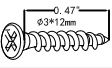
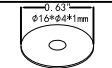



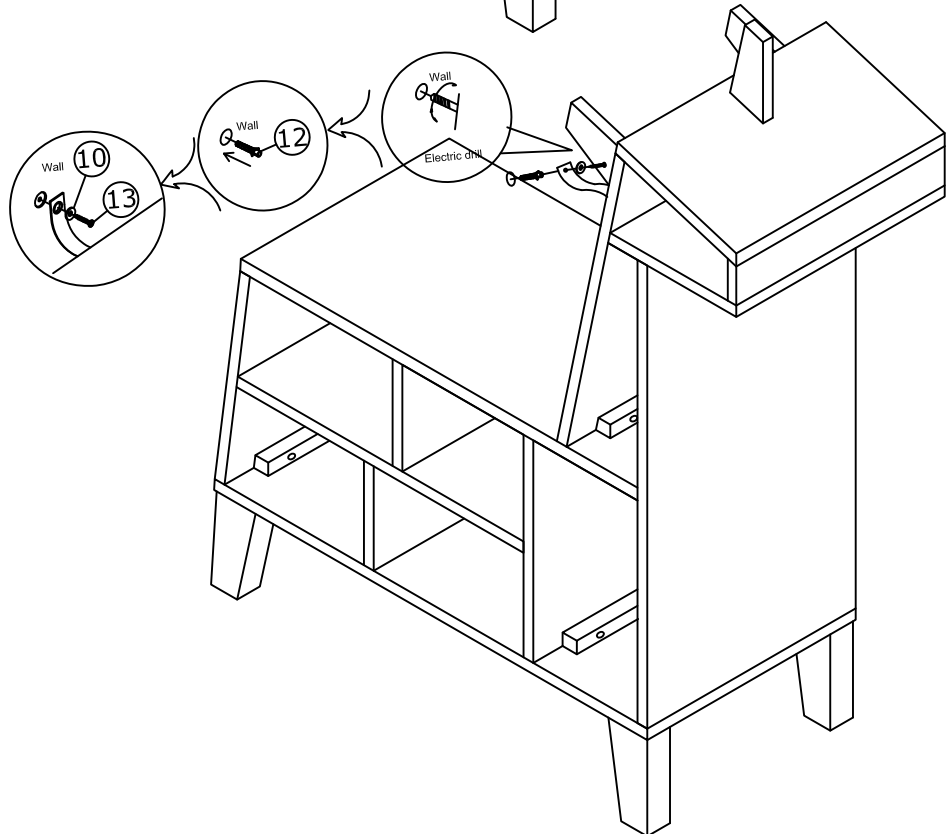
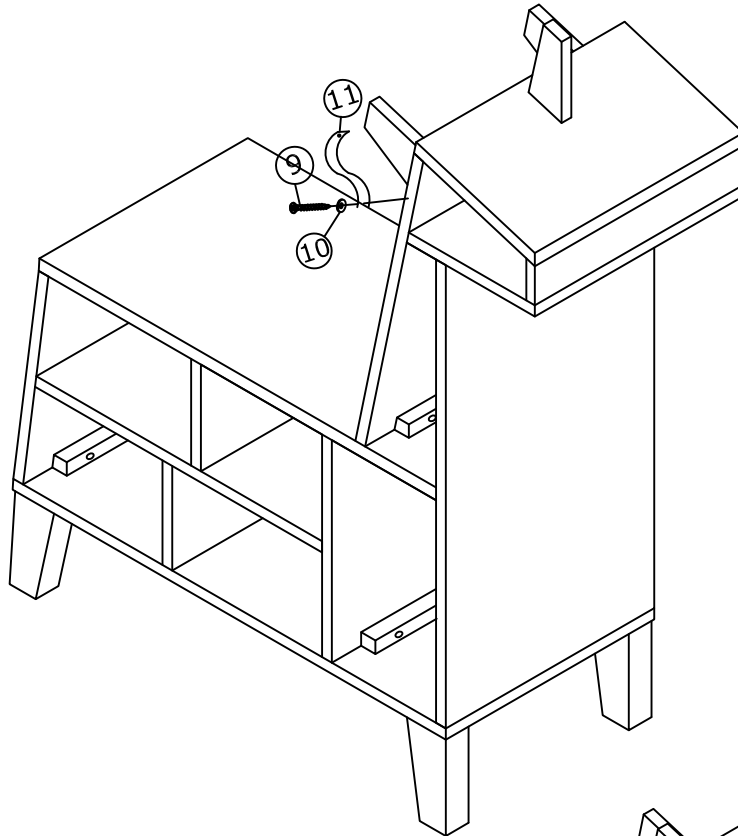
# STEP19

②  6 PCS

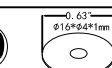

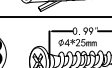


## STEP20

9		1 PC
10		1 PC
11		1 PC



## STEP21

10		1 PC
12		1 PC
13		1 PC

## Warning

Serious or fatal injuries can occur from product tip-over. To help prevent product tip-over:

Use provided mounting hardware to secure product to the wall.

This may reduce but not eliminate the risk of product tip-over.

Do not allow children to climb on product.

Keep remote controls, toys, and other items that might attract children off of this product.

Unless specifically designed to accommodate, do not set televisions or other heavy objects on top of this product.