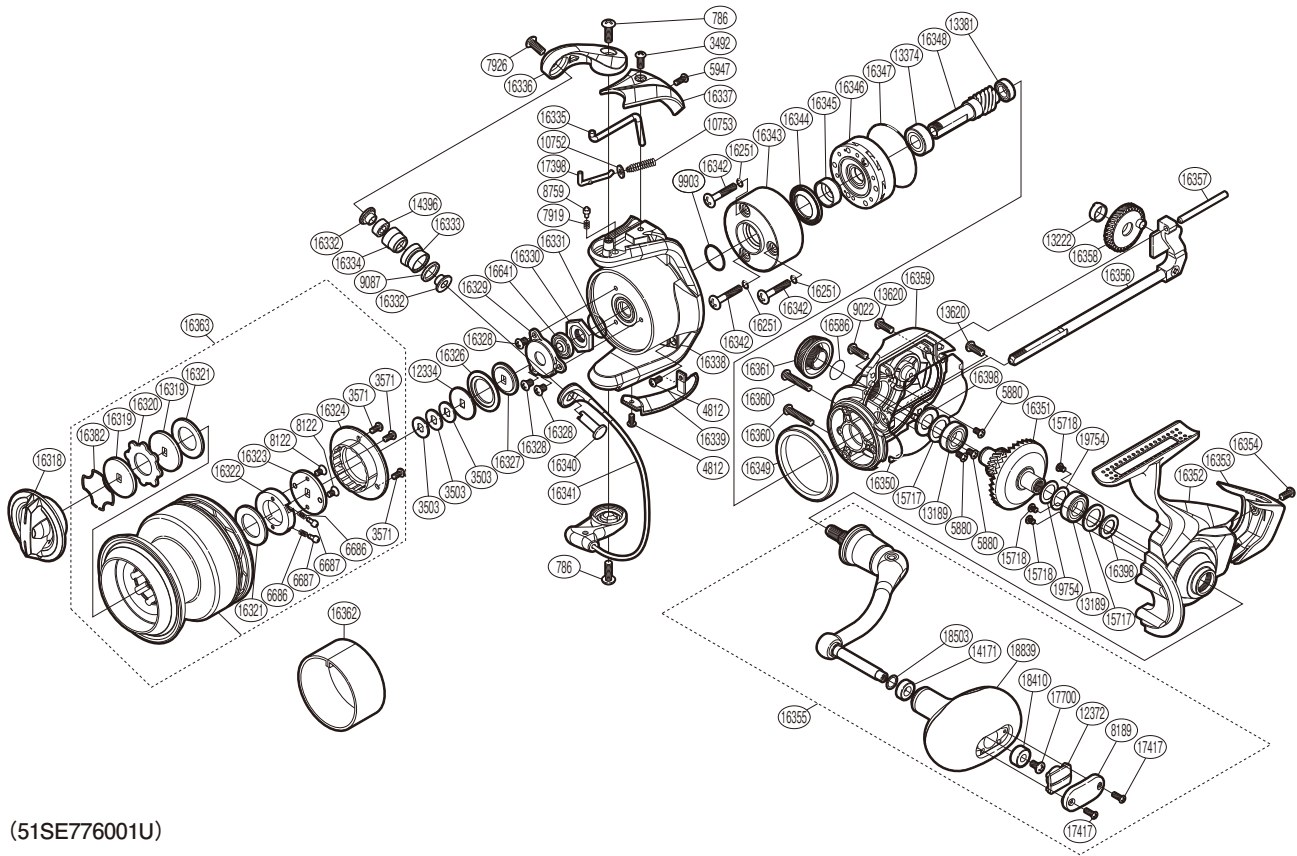


SHIMANO

Saragosa

SRG-6000SW



(51SE776001U)

#	Part No.	Description	#	Part No.	Description	#	Part No.	Description
786	103J1	Screw	16251	108WW	O Ring	16348	10BZ4	Pinion Gear
3492	103DC	Screw	16318	102EB	Drag Knob	16349	104G7	Friction Ring
3503	10B XK	Spool Washer	16319	10BC8	Key Washer	16350	10CDA	Body Seal
3571	10MPP	Screw	16320	102Z8	Eared Washer	16351	10EK8	Drive Gear
4812	103N8	Screw	16321	10347	Drag Washer	16352	104CY	Side Cover
5880	10MT3	Screw	16322	10JJW	Drag Click Holder	16353	10NKR	Rear Protector
5947	103NH	Screw	16323	109HG	Drag Click Holder Cover	16354	103CJ	Screw
6686	10JXE	Click Spring	16324	10C1P	Drag Cover	16355	10N7C	Handle Assembly
6687	10PEH	Click Pin	16326	10J6D	Spool Support Seal	16356	10NF5	Main Shaft Assembly
7919	1077Q	Click Spring	16327	103MY	Spool Support	16357	1035G	Oscillating Guide
7926	103HN	Screw	16328	10LSM	Screw	16358	10G9P	Oscillating Gear
8122	10MGD	Screw	16329	10K32	Nut Lock Plate	16359	10B8X	Body
8189	108SM	Handle Knob I.D. Plate	16330	10811	Rotor Nut	16360	10LZ7	Screw
8759	106UX	Click Pin	16331	10EZA	O Ring	16361	10N48	Handle Screw Cap
9022	10LZJ	Screw	16332	107X4	Line Roller Washer	16363	10HSC	Spool Assembly
9087	10KFE	Line Roller Spacer	16333	10KUW	Line Roller	16382	10B8P	Drag Washers Retainer
9903	108WA	O Ring	16334	107RN	Line Roller Bushing	16398	10CD1	Bearing Water Proof
10752	10TYE	Spring Guide A Support	16335	106KM	Bail Trip Lever	16586	10TZX	O Ring
10753	10FVD	Bail Spring	16336	10KLG	Bail Arm	16641	107F7	Bearing Water Proof
12334	10HZW	Spool Support B	16337	1087Y	Bail Spring Cover	17398	105LU	Bail Spring Guide A
12372	10B9T	Handle Knob Seal	16338	10PY7	Rotor	17417	10L1T	Screw
13189	104PT	Ball Bearing	16339	10MNB	Bail Hold Support Guard	17700	10LFA	Screw
13222	10JYG	Oscillating Gear Bushing	16340	10Q3G	Line Roller Support	18410	10EU0	Handle Knob Bushing A
13374	104Q5	Ball Bearing	16341	1073F	Bail Assembly	18503	101BD	Washer
13381	104JT	Ball Bearing	16342	10A6S	Screw	18839	10T7J	Handle Knob Assembly
13620	10L6D	Screw	16343	10MH9	Roller Clutch Water Proof Cover	19754	10DKJ	Washer
14171	104UJ	Handle Knob Bushing	16344	10MH1	Roller Clutch Water Proof			
14396	104VQ	Ball Bearing	16345	10K7R	Rotor Ring	16362	109UZ	Line Band (accessory)
15717	10BGE	Washer	16346	10QPE	Roller Clutch Assembly			
15718	1055G	Screw	16347	10H4F	Roller Clutch Cover Seal			

Please note that the number of adjusting washers may not be the same as shown in the exploded views.
(Adjustment will vary with each individual product.)

(241030)_006