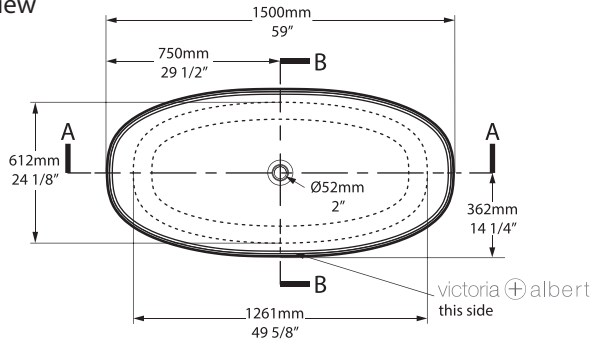


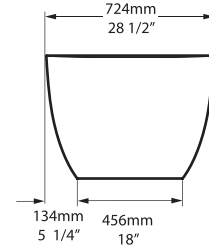
Barcelona 1 Freestanding Bathtub

BA1-N-SW-NO / BA1M-N-SM-NO

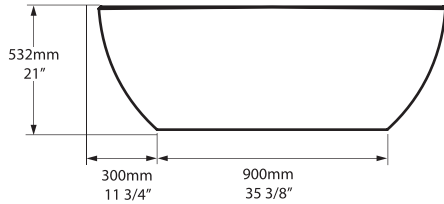
Top view



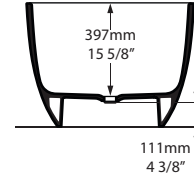
Front view



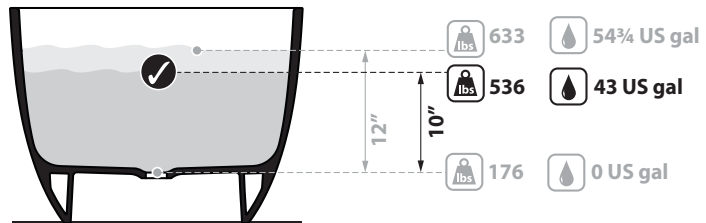
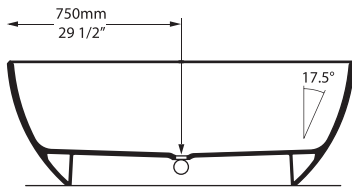
Side view



Section BB



Section AA



BV-2,2_0074

Recommended drains: K-36E-xx / K-70-xx

Drain Void: Features a void space underneath the bathtub for drain plumbing.

US Customers

U.S.A.
HOUSEOFROHL.COM
1-800-777-9762

Canadian Customers

QUEBEC / MARITIMES / WESTERN CANADA
QUÉBEC / MARITIMES / QUEST CANADIEN
QUEBEC / MARITIMOS / CANADA OCCIDENTAL
HOUSEOFROHL.CA
1-866-473-8442

ONTARIO
HOUSEOFROHL.CA
1-800-287-5354