

ASSEMBLY INSTRUCTION



ITEM: 5070-90010 Five Drawer Chest

Thank you for purchasing this quality product. Be sure to unpack carefully looking for small parts which may have come loose during shipment.

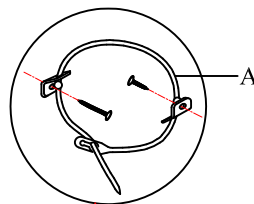
Read all instruction and study the drawing carefully before starting the assembly process.

Hardware Pack

Part List

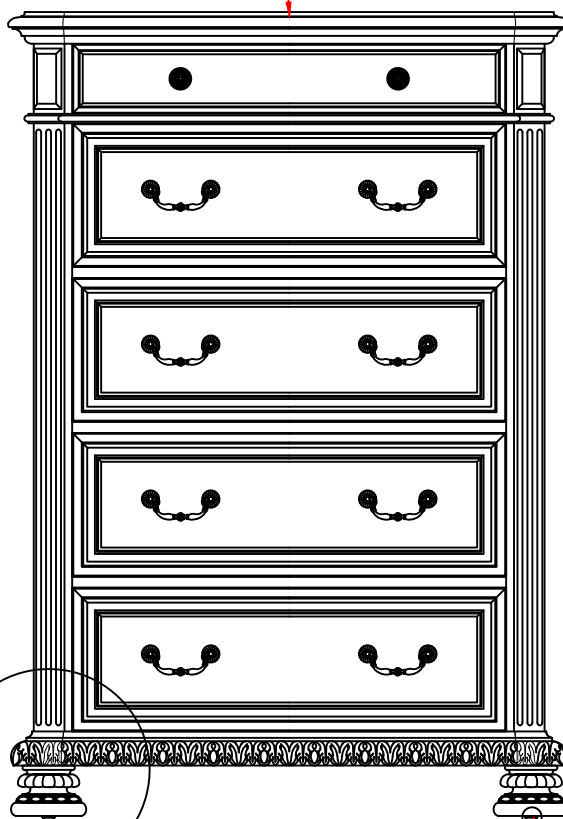
NO.	DRAWING	DESCRIPTION	Q'TY	NO.	DRAWING	DESCRIPTION	Q'TY
A		Anti - Tip Kit	1PC	1		Bun Foot	4PCS

Anti-tip kit is included for use. We recommend installing for safety reason.

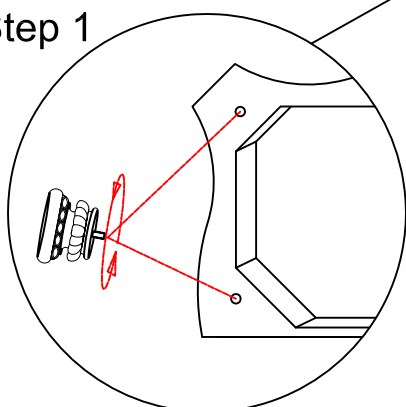


Tipping Restraint

Note: Anti-tip kit restraint is provided. Please follow the instructions enclosed with the pack.



Step 1



Step 2: Adjust Leveler if needed to level case on uneven floor.

