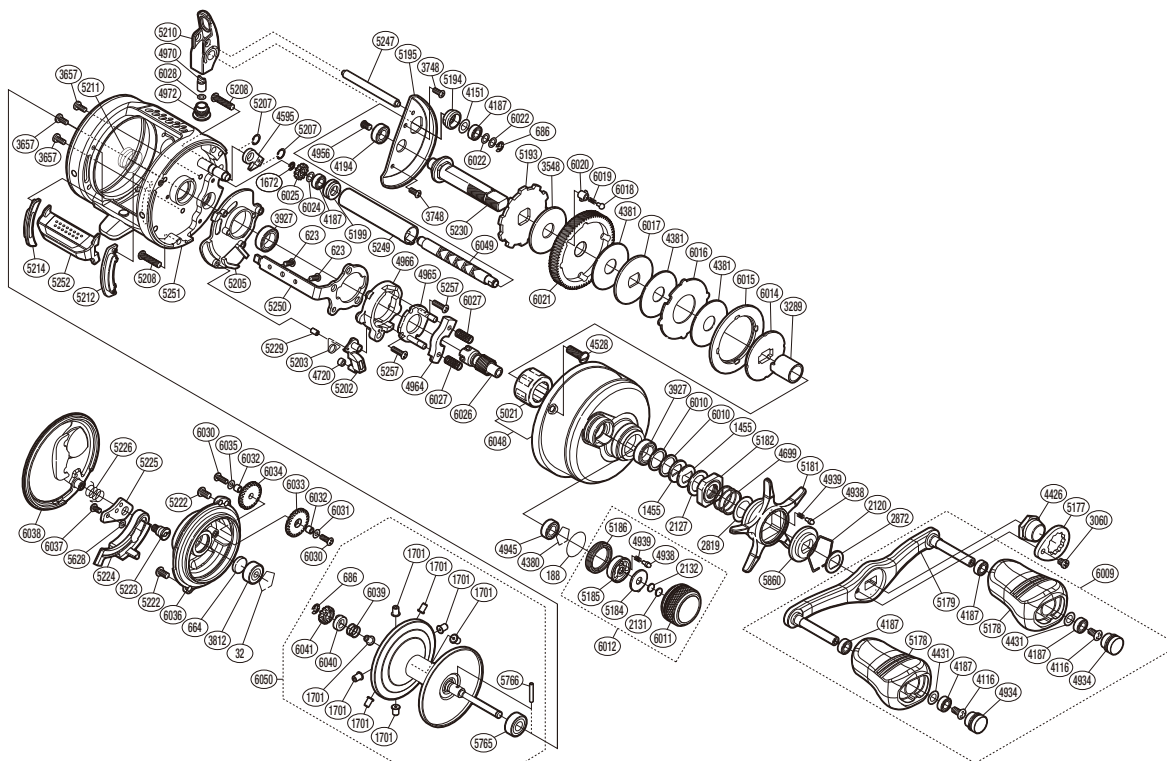


# SHIMANO

## CALCUTTA CONQUEST

S A-RB

CTCQ-400



The (5765) Bearing, (5766) Spool clutch pin, and (5021) Roller clutch cannot be replaced by the customer. To replace these parts, please request after-sales service.

Please note that the number of adjusting washers may not be the same as shown in the exploded views. (Adjustment will vary with each individual product.)

(51RL090400X)

Part No.	Description	Part No.	Description	Part No.	Description
BNT0032	Bearing Retainer	BNT4965	Clutch Cam Retainer	BNT5628	Washer
BNT0188	O Ring	BNT4966	Clutch Cam	BNT5765	Ball Bearing
BNT0623	Screw	BNT4970	Line Guide Pawl	BNT5766	Spool Clutch Pin
BNT0664	Spacer B	BNT4972	Pawl Cap	BNT5860	Star Drag Click Plate
BNT0686	E Lock	BNT5021	Roller Clutch Bearing	BNT6009	Handle Assembly
BNT1455	Drag Spring Washer (H)	BNT5177	Handle Nut Plate	BNT6010	Washer
BNT1672	E Lock	BNT5178	Handle Knob	BNT6011	Cast Control Cap
BNT1701	Brake Collar (Gray)	BNT5179	Handle Shank Assembly	BNT6012	Cast Control Cap Assembly
BNT2120	Click Plate Retainer	BNT5181	Star Drag	BNT6014	Pressure Plate
BNT2127	Star Drag Spacer	BNT5182	Star Drag Nut	BNT6015	Drag Click Ratchet
BNT2131	Spool Tension Spacer B	BNT5184	Cast Control Click Plate	BNT6016	Eared Washer
BNT2132	Spool Tension Spacer A	BNT5185	Click Pin Holder	BNT6017	Drag Washer
BNT2819	Washer	BNT5186	Cast Control Click Holder	BNT6018	Drag Click
BNT2872	Friction Washer	BNT5193	Anti-Reverse Ratchet	BNT6019	Click Spring
BNT3060	Screw	BNT5194	Worm Bushing A	BNT6020	Drag Click Pin Holder
BNT3289	Roller Clutch Inner Tube	BNT5195	Drive Shaft Retainer	BNT6021	Drive Gear
BNT3548	Drag Washer	BNT5199	Worm Bushing B	BNT6022	Washer
BNT3657	Screw	BNT5202	Clutch Pawl	BNT6024	Washer
BNT3748	Screw	BNT5203	Clutch Pawl Spring	BNT6025	Idle Gear C
BNT3812	Ball Bearing	BNT5205	Clutch Guard	BNT6026	Pinion Gear
BNT3927	Ball Bearing	BNT5207	C Lock	BNT6027	Yoke Spring
BNT4116	Screw	BNT5208	Screw	BNT6028	Washer
BNT4151	Washer	BNT5210	Line Guide Assembly	BNT6030	Screw
BNT4187	Ball Bearing	BNT5211	Bearing Pressure Spring	BNT6031	Washer
BNT4194	Ball Bearing	BNT5212	Clutch Bar Guide B	BNT6032	Idle Gear B Support
BNT4380	Retainer	BNT5214	Clutch Bar Guide A	BNT6033	Idle Gear B
BNT4381	Drag Washer	BNT5222	Screw	BNT6034	Idle Gear D
BNT4426	Handle Nut	BNT5223	B Side Plate Insert	BNT6035	Washer
BNT4431	Washer	BNT5224	Side Plate Cam Lever	BNT6036	Brake Case Assembly
BNT4528	Screw	BNT5225	Damper Bush	BNT6037	Screw
BNT4595	Anti-Reverse Pawl Assembly	BNT5226	Damper Spring	BNT6038	Left Side Plate Assembly
BNT4699	Star Drag Spring	BNT5229	Clutch Pawl Spring Collar	BNT6039	Spool Shaft Spring
BNT4720	Clutch Pawl Bushing	BNT5230	Drive Shaft	BNT6040	Spool Shaft Cam
BNT4934	Handle Knob Seal	BNT5247	Level Wind Guide	BNT6041	Idle Gear A
BNT4938	Click Pin	BNT5249	Level Wind Guard	BNT6048	Right Side Plate Assembly
BNT4939	Click Spring	BNT5250	Clutch Plate	BNT6049	Worm Shaft
BNT4945	Ball Bearing	BNT5251	Frame Assembly	BNT6050	Spool Assembly
BNT4956	Screw	BNT5252	Quick-Fire li Clutch Bar		
BNT4964	Yoke	BNT5257	Screw	BNT6042	Brake Collar (Clear) (accessory)

(180517)\_001