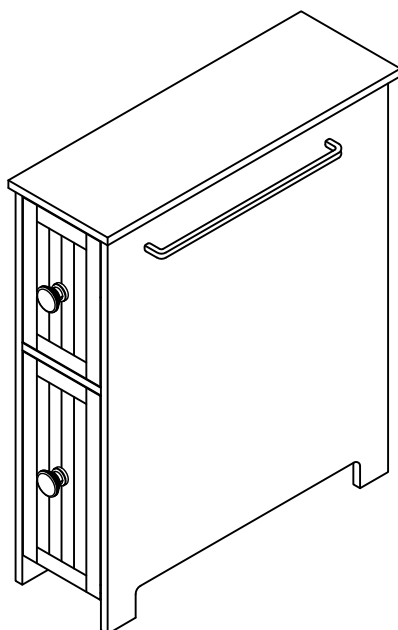


# ASSEMBLY INSTRUCTIONS

## Slim Bathroom Cabinet With 2 slide out storage and tower bar



Please provide the following information when contacting for parts or questions: the name of the company you purchased from, the UPS/FedEx tracking number.

### ASSEMBLY INSTRUCTIONS-IMPORTANT

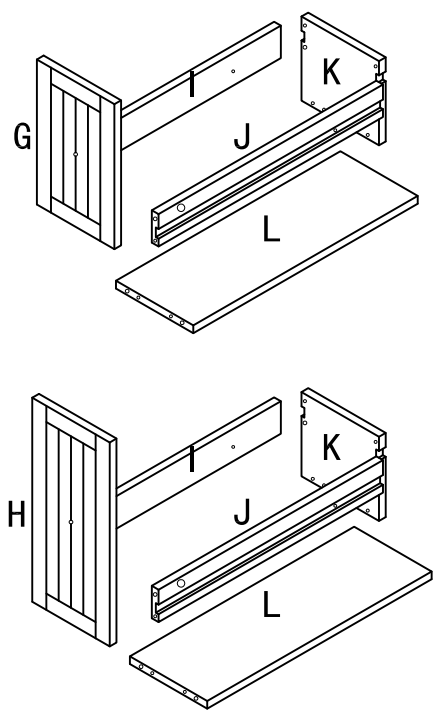
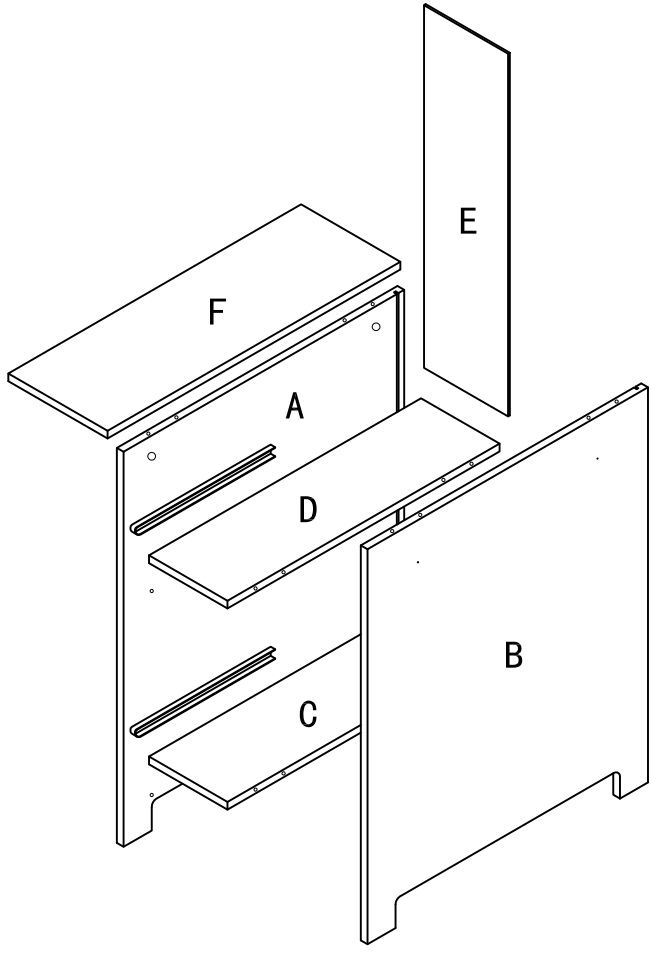
Carefully unpack & identify each component before attempting to assemble. Refer to parts list. Please take care when assembling the unit and always set the parts on a clean, soft surface. If you require any assistance with assembly, parts, please call the company you place order with or please email to: [USA:service@eleganthf.net](mailto:USA:service@eleganthf.net) / [EU:suppliers@teamson.co.uk](mailto:EU:suppliers@teamson.co.uk)

### INSTRUCCIONES PARA ARMAR-IMPORANT:







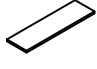





Desempaque cuidadosamente e identifique cada componente antes de tartar de empezar su ensambladura. Verifique la lista de partes. Por favor tenga cuidado cuando arme la unidad y siempre coloque las piezas sobre una superficie plana, suave y limpia. Si necesita ayuda con el armado, envíe un correo electzórico a [USA:service@eleganthf.net](mailto:USA:service@eleganthf.net)  
[EU:suppliers@teamson.co.uk](mailto:EU:suppliers@teamson.co.uk)

### DIRECTIVES DE MONTAGE-IMPORTANT:

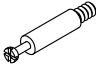



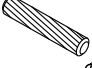
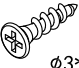






Avant de commencer l' assemblage, déballez délicatement toutes les pièces et repérez-les sur la liste des pièces. Procédez avec soins durant l' assemblage et posez toujours les pièces sur une surface proper, douce et lisse. sie vouo plait e-mail á [USA:service@eleganthf.net](mailto:USA:service@eleganthf.net)  
[EU:suppliers@teamson.co.uk](mailto:EU:suppliers@teamson.co.uk)



# COMPONENTS

PART	FIGURE	DESCRIPTION	QTY	PART	FIGURE	DESCRIPTION	QTY
A		LEFT SIDE PANEL	1PC	G		DRAWER FACE	1PC
B		RIGHT SIDE PANEL	1PC	H		DRAWER FACE	1PC
C		BOTTOM PANEL	1PC	I		DRAWER LEFT SIDE PANEL	2PCS
D		MIDDLE SHELF	1PC	J		DRAWER RIGHT SIDE PANEL	2PCS
E		BACK PANEL	1PC	K		DRAWER BACK PANEL	2PCS
F		TOP PANEL	1PC	L		DRAWER BOTTOM PANEL	2PCS

# HARDWARE & TOOLS

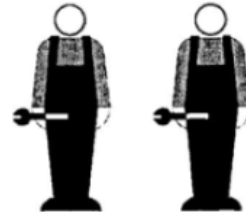
PART	FIGURE	DESCRIPTION	QTY	PART	FIGURE	DESCRIPTION	QTY
1		CAM BOLT	20PCS	7		WHEEL	2PCS
2		CAM LOCK	20PCS	8		WHEEL WITH BRAKE	2PCS
3	 ø6*30	WOODEN DOWEL	20PCS	9	 ø3*12 D=6	SCREW	16PCS
4	 ø4*25 D=8	SCREW	8PCS	10		KNOB	2PCS
5		TOWER BAR	1PC	11	 ø4*20 D=9	SCREW BOLT	2PCS
6	 ø4*20 D=9	SCREW BOLT	2PCS	12		DRAWER STOPPER	4PCS

## TOOL NEEDED:



**PHILIPS SCREWDRIVER REQUIRED  
- NOT INCLUDED**

## SUGGESTION:



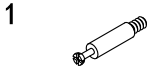
**TWO PEOPLE FOR ASSEMBLING**



## WARNINGS:

1. DO NOT LET ANY SHARP OBJECTS TOUCH OR RUB THE SURFACE OF THE PRODUCT.
2. WHEN ASSEMBLING, DO NOT LET CHILDREN PLAY AROUND THE WORKING AREA.
3. PLEASE CONFIRM ALL PARTS ARE CORRECT BEFORE STARTING THE ASSEMBLY PROCESS.
4. DO NOT TIGHTEN ALL BOLTS AND SCREWS COMPLETELY UNTIL THE ENTIRE UNIT HAS BEEN ASSEMBLED AND SET UP.

# 1



8 PCS



8 PCS



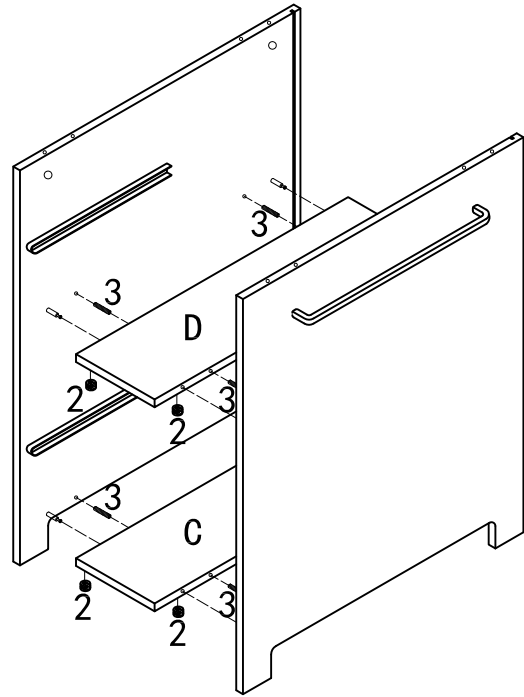
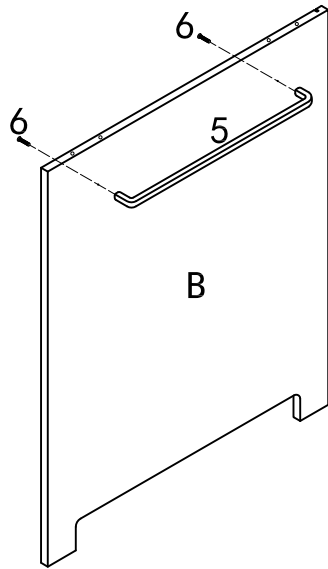
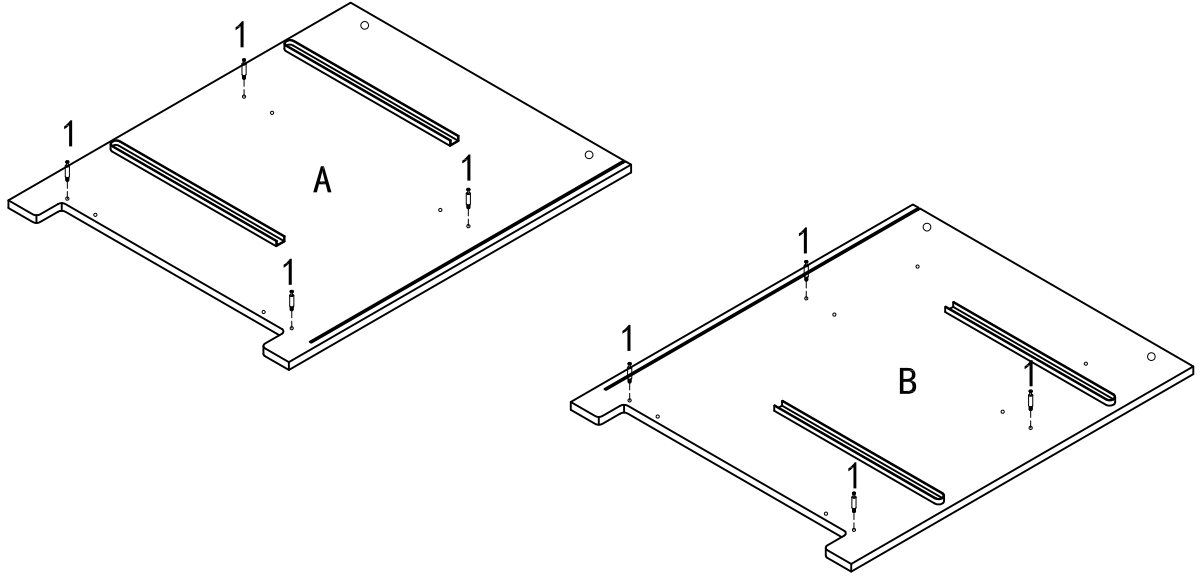
8 PCS



1 PC



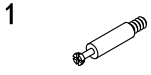
2 PCS



## STEP 1:

1. Screw cambolts (1) into panel A & B.
2. Screw Tower bar (5) to panel B with screw bolts (6).
3. Attach panel D & C to panel A & B with dowels (3) and secure with camlocks (2) as indicated.

# 2



4 PCS



4 PCS



4 PCS



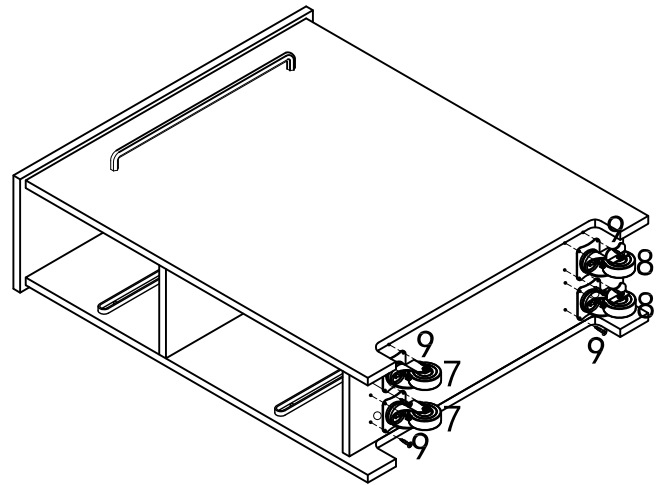
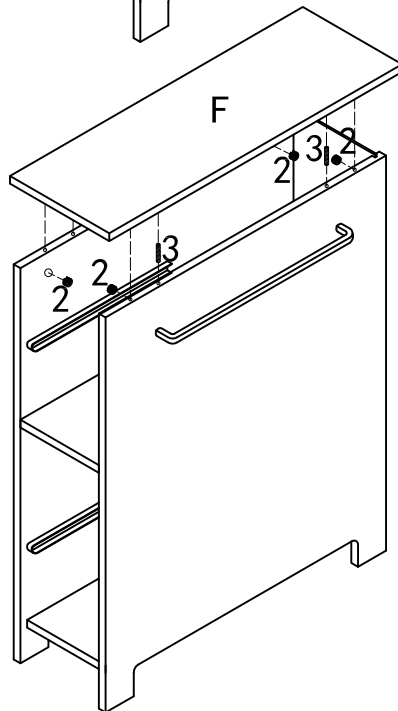
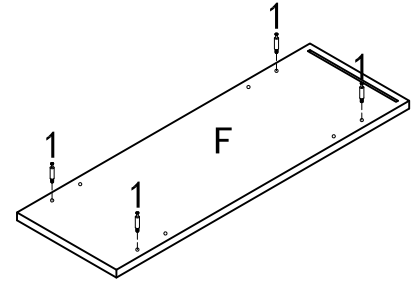
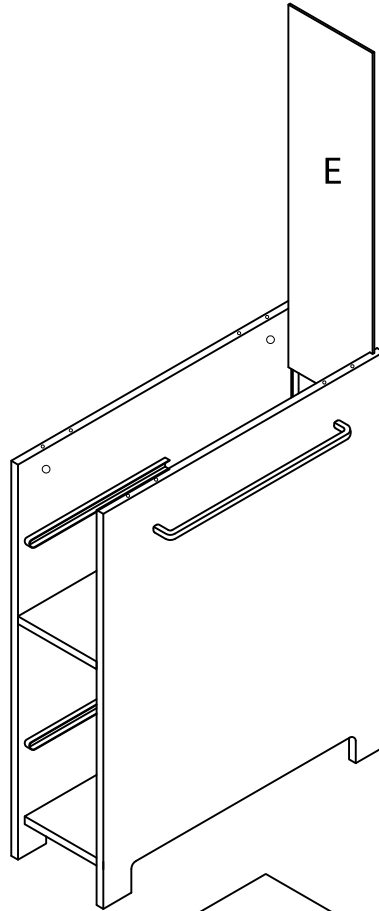
2 PCS



2 PCS



16 PCS



## STEP 2:

1. Slide the panel E into the assembled cabinet.
2. Screw cambolts (1) into panel F.
3. Attach panel F to the top of panel A & B with dowels (3) and secure with camlocks (2) as indicated.
4. Attach wheels (7),(8) to panel C with screws (9)

# 3



8 PCS



8 PCS



8 PCS



8 PCS



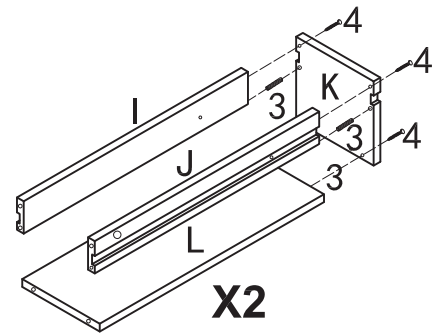
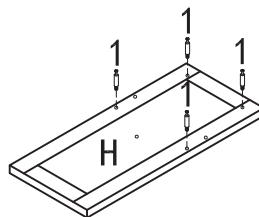
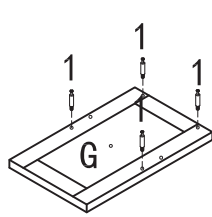
2 PCS



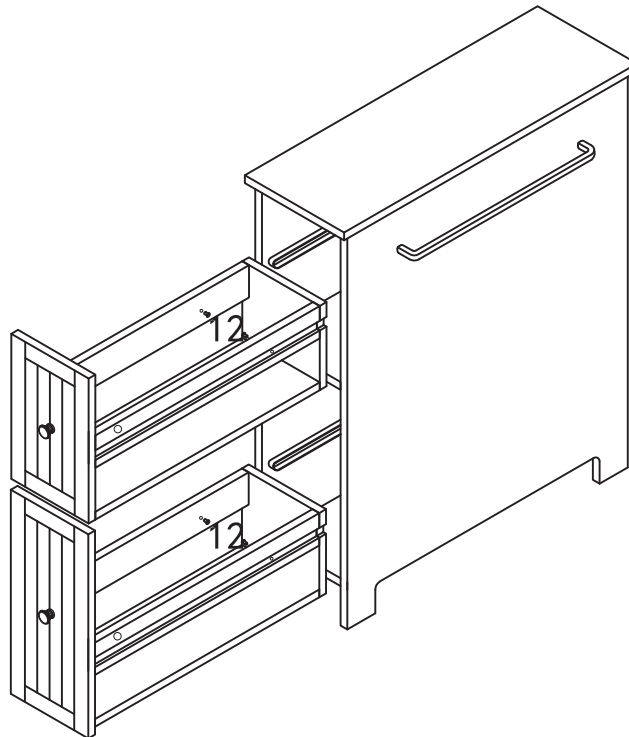
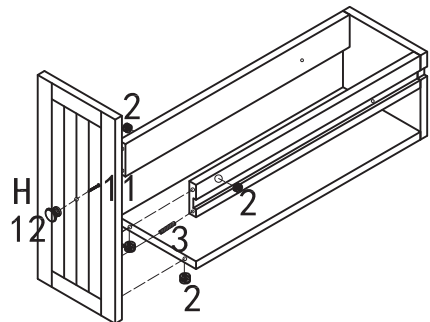
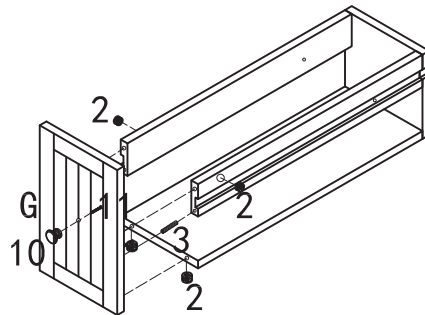
2 PCS



4 PCS



X2



## STEP 3:

1. Screw cambolts (1) to panel G & H
2. Attach I, J, L to panel K with dowels (3) and secure with screws (4) as indicated.
3. Attach panel G to panel I, J, L with dowels (3) and secure with camlocks (2) as indicated.
4. Attach panel H to panel I, J, L with dowels (3) and secure with camlocks (2) as indicated.
5. Slide the assembled drawers to the cabinet with drawer stopper (12).