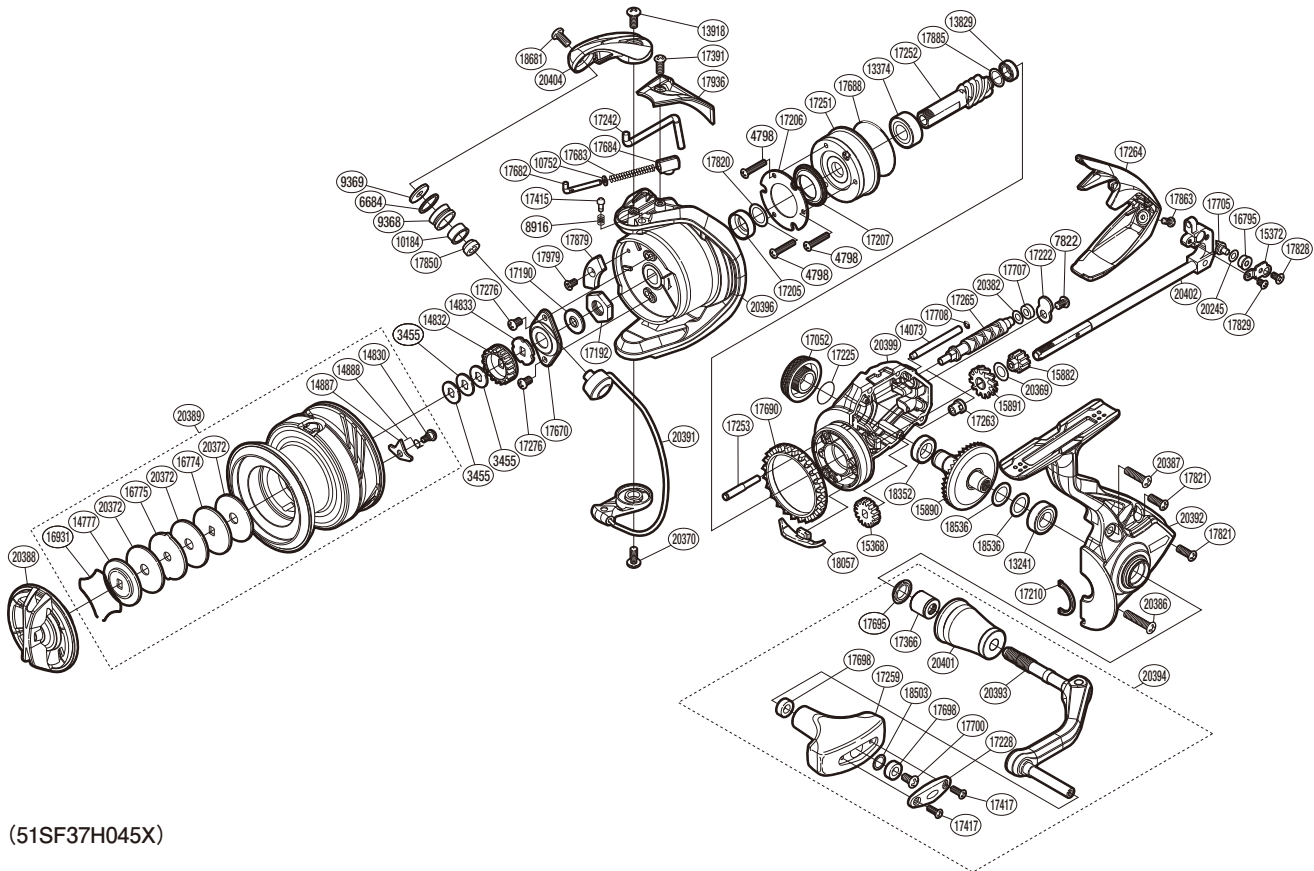


SHIMANO

SPHEROS

SP4000XGSW



(51SF37H045X)

#	Part No.	Description	#	Part No.	Description	#	Part No.	Description
3455	10BXN	Spool Washer	17206	10L62	Roller Clutch Reinforce	17828	10QVK	Screw
4798	103C6	Screw	17207	10MH6	Roller Clutch Water Proof	17829	10L67	Screw
6684	10KFD	Line Roller Spacer	17210	10CDB	Flange Water Proof	17850	1020X	Line Roller Collar
7822	103KW	Screw	17222	10ATJ	Worm Shaft Retainer	17863	10LCS	Screw
8916	10CH0	Click Spring	17225	1090A	O Ring	17879	10LA3	Counter Weight A
9368	10JLF	Line Roller	17228	108X5	Handle Knob I.D. Plate	17885	10HEP	Washer
9369	10PFP	Line Roller Washer	17242	106P4	Bail Trip Lever	17936	101T5	Bail Spring Cover
10184	10PFH	Line Roller Bushing	17251	10QPN	Roller Clutch Assembly	17979	106GA	Screw
10752	10TYE	Bail Spring Guide A Support	17252	10C53	Pinion Gear	18057	107E0	Bail Trip Strike
13241	104JD	Ball Bearing	17253	10CLE	Idle Gear B Shaft	18352	10SV6	Bushing
13374	104Q5	Ball Bearing	17259	102HM	Handle Knob	18503	101BD	Washer
13829	104JZ	Ball Bearing	17263	106MB	Worm Bushing (Front)	18536	1003B	Washer
13918	103LT	Screw	17264	10NNG	Rear Protector	18681	10PMH	Screw
14073	10337	Oscillating Guide A	17265	1068J	Worm Shaft	20245	101AT	Washer
14777	10QB7	Key Washer	17276	10PME	Screw	20369	10DHA	Washer
14830	10PH5	Screw	17366	10PQL	Handle Shaft Cover B	20370	103DA	Screw
14832	103MU	Spool Support A	17391	10LFK	Screw	20372	100EN	Drag Washer
14833	10J04	Spool Support B	17415	106ZC	Click Pin	20382	10SVH	Washer
14887	1038D	Drag Click	17417	10L1T	Screw	20386	100EB	Screw
14888	10JM5	Drag Click Spring	17670	10TRH	Rotor Nut Lock Plate	20387	10SJ4	Screw
15368	10HBH	Idle Gear	17682	1061L	Bail Spring Guide	20388	100EQ	Drag Knob Assembly
15372	10HAE	Oscillating Pawl Cover	17683	105R6	Bail Spring	20389	100DW	Spool Assembly
15882	106RH	Idle Gear B Small	17684	107AB	Bail Spring Guide B	20391	10SJM	Bail Assembly
15890	10AAV	Drive Gear Assembly	17688	10MLU	O Ring	20392	10SVA	Side Cover Assembly
15891	10CNR	Idle Gear B Large	17690	104FV	Friction Ring	20393	10SVC	Handle Shank Assembly
16774	10BCE	Key Washer	17695	10PXV	Handle Shaft Seal	20394	100EE	Handle Assembly
16775	102ZD	Eared Washer	17698	10PXZ	Handle Knob Bushing	20396	100EK	Rotor
16795	10JXT	Oscillating Slider Bushing	17700	10LFA	Screw	20399	100EF	Body
16931	10B8N	Drag Washer Retainer	17705	10JT4	Oscillating Pawl	20401	100DZ	Handle Shaft Cover
17052	10N4J	Handle Screw Cap	17707	106CN	Worm Bushing (Rear)	20402	10SKL	Main Shaft Assembly
17190	107L4	Bearing Water Proof	17708	10JAC	O Ring	20404	100EG	Bail Arm
17192	1067Y	Rotor Nut	17820	10GR6	Washer			
17205	10JHG	Rotor Ring	17821	10LZG	Screw			

Please note that the number of adjusting washers may not be the same as shown in the exploded views.
(Adjustment will vary with each individual product.)

(230801)_003