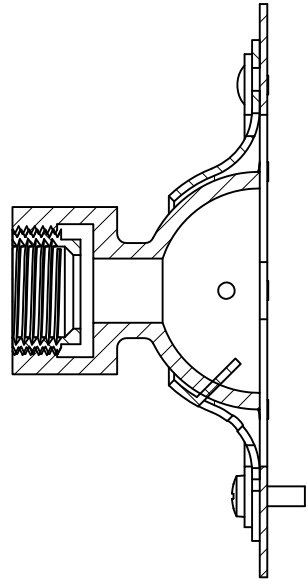
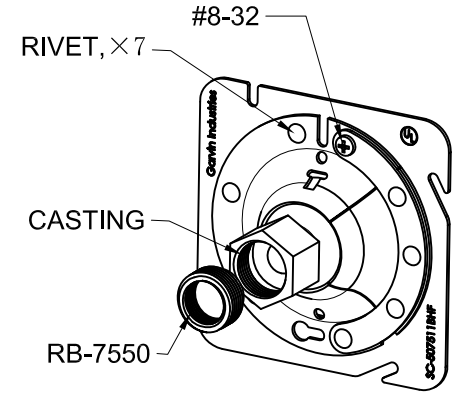
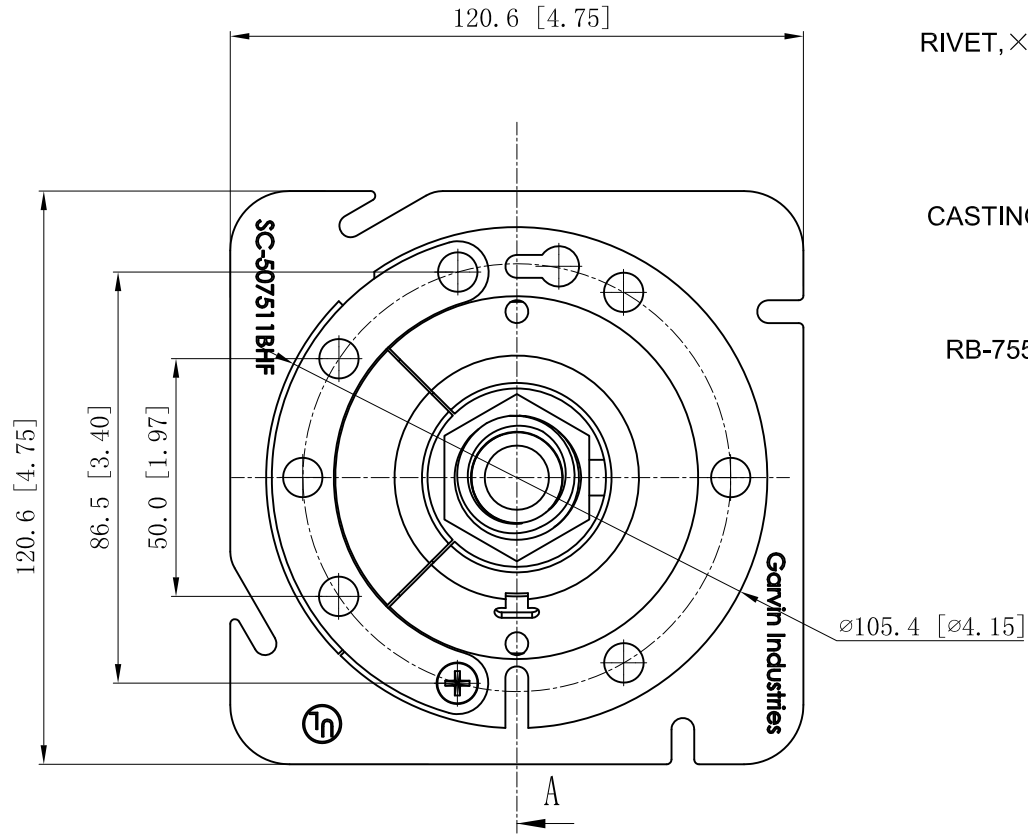


SIDES	BOTTOM
1 PCS 8-32×1/2 Screws Installed	
Material:Steel-0.0625"-G60 Galvanized	



CUTAWAY VIEW A-A



DESCRIPTION
TRADE REFERENCE TERMS

This data sheet is for reference only .GARVIN INDUSTRIES reserves the right to make changes to the design without prior notice.

STANDARD PACKING	GARVIN INDUSTRIES		
	TITLE 4-11/16" hands free swivel fixture hanger		
	SIZE A4	DWG NO. SC-507511BHF	REV A
	DATA SHEET		