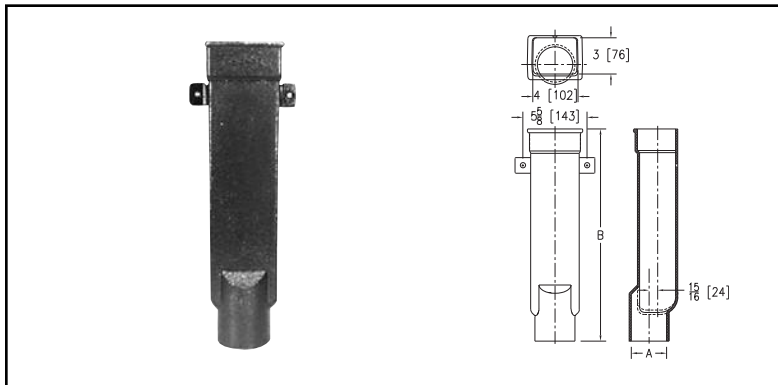


Z192 4" x 3" [102 mm x 76 mm] DOWNSPOUT BOOT



Dimensions in Inches [mm]				Approx. Wt. Lbs. [Kg]
Product Designation	Size	A Pipe Size	B	
-12	4 x 3 [102 x 76]	4 [102]	12 [305]	14 [6]
-18			18 [457]	20 [9]
-24			24 [610]	27 [12]

ENGINEERING SPECIFICATION: ZURN Z192 4" x 3" x 24" [102 mm x 76 mm x 610 mm] Downspout Boot, Dura-Coated cast iron body and strap with 1/4" [6 mm] diameter cast holes for flat head bolts.

OPTIONS

CONNECTION (Specify pipe size in inches and type of outlet.)

CONNECTION TYPE	CONNECTION DESIGNATION Pipe Size/Outlet Type
No-Hub	4NH

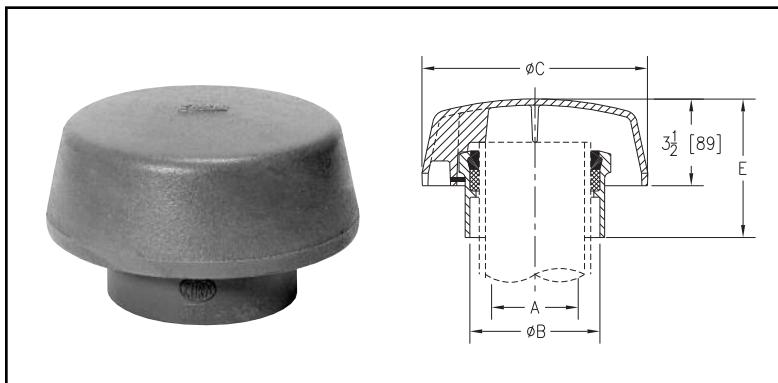
PREFIXES

Z D.C.C.I. Body*

SUFFIXES

- CA Cleanout Access with Plug
- G Galvanized Cast Iron

Z193 VANDAL-PROOF HOODED VENT CAP



Dimensions in Inches [mm]			Approx. Wt. Lbs. [Kg]	Open Area Sq. In. [cm ²]
A Pipe Size	B	C		
1-1/2 - 2 [38-51]	3-1/8 [79]	6-3/8 [162]	9 [4]	2 : 1
3 [76]	4-3/16 [106]	7-5/8 [194]	12 [6]	
4 [102]	5-1/4 [133]	9-1/8 [232]	14 [7]	
5 [127]	6-3/16 [157]	10-1/8 [257]	16 [7]	
6 [152]	7-3/16 [183]	11-5/8 [295]	18 [8]	

ENGINEERING SPECIFICATION: ZURN Z193 Vandal-Proof Vent Cap, Dura-Coated cast iron body and hooded dome cap, vandal-proof securing device.

OPTIONS

OUTLETS (Specify pipe size in inches and type of outlet.)

OUTLET TYPE	OUTLET DESIGNATION Pipe Size/Outlet Type	'E' BODY HT. DIM. In./[mm]
Inside Caulk	1.51C, 21C 31C, 41C, 51C, 61C	5-11/16" [145 mm] 5-9/16" [141 mm]

PREFIXES

Z D.C.C.I. Body and Dome Cap*

SUFFIXES

- G Galvanized Cast Iron

*Regularly furnished unless otherwise specified.