

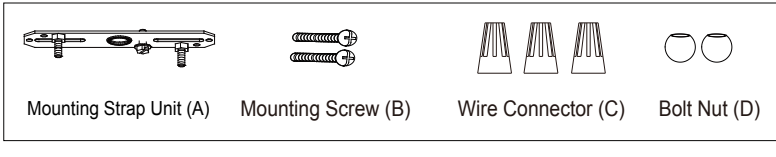
ASSEMBLY AND INSTALLATION INSTRUCTIONS

P0407

WARNING: TO AVOID RISK OF ELECTRICAL SHOCK, BE SURE TO SHUT OFF POWER WHILE INSTALLING OR SERVICING THIS FIXTURE.

NOTES: 1. Before installing, consult local electrical codes for wiring and grounding requirements.
2. Read and save this instruction.

Hardware Package (included):



Installation Steps

Turn off the power at fuse or circuit box.

- Unscrew two bolt nuts (D) and remove mounting strap unit (A) from the canopy.
- Loosen the plastic headless screw on the canopy by using a flat head screwdriver (not included).
- Thread the cord through the canopy and strain relief. Measure the desired length of the cord (F) from the canopy to the glass shade and leave additional 9" cord (G) above the canopy (include the canopy), and then cut off the unnecessary cord. (See Fig.1)
- Adjust strain relief at 9" position from the top of the cord.
- Mark the 3" cord (H) from the top of the cord (G). Use a knife to peel off the insulation of the cord (H) carefully to show the 3 inside wires out. (See Fig. 1)
Caution : Cutting too deep may cut off three inside wires and destroy the insulation surface of the three inside wires.
- Peel off the 3 wires from the top about 3/8" long (I) to expose the copper for wiring.
- Attach the mounting strap unit (A) to outlet box by using two mounting screws (B).
- Pull out the source wires from the outlet box, make wire connections using wire connectors (C) as follows:
 ---Connect the hot wire (black insulation) from the fixture to the black wire from the power source.
 ---Connect the neutral wire (white insulation) from the fixture to the white wire from the power source.
 ---Connect the fixture ground wire from the fixture to the house ground wire from the power source.
 Carefully put the wires back into the outlet box.

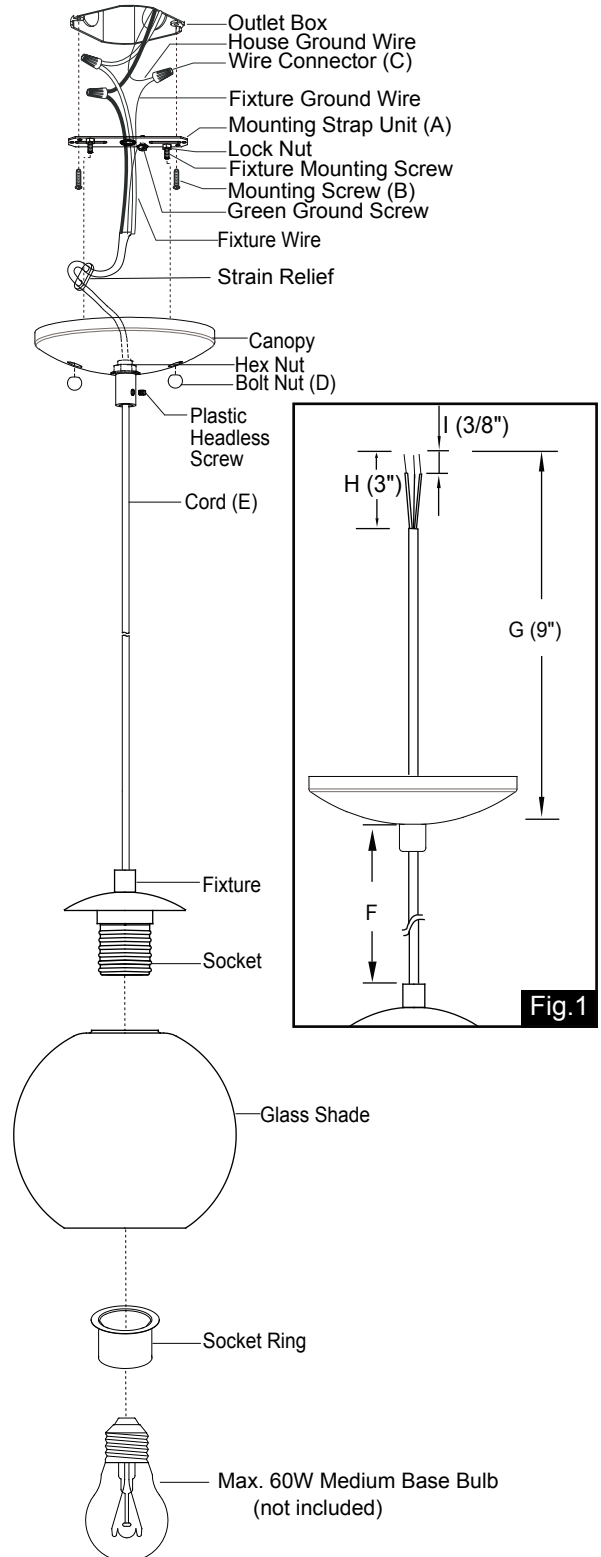


Fig.1

9. Pull the cord (F) down slightly until the strain relief touches the hex nut. Attach the canopy to the mounting strap unit (A) by inserting two fixture mounting screws, and then secure it with two bolt nuts (D).
10. Fastening cord by screwing plastic headless screw, using flat head screwdriver (not included).
11. Attach the glass shade to fixture, then secure it with socket ring.
12. Install 1 x 60W Max. medium base bulb (not included). See relamping label at socket area or packaging for maximum wattage allowed.

Turn on the power at fuse or circuit box.

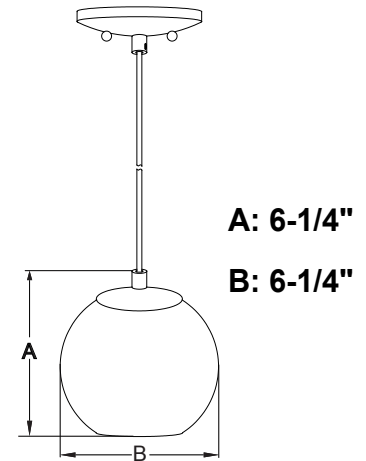
The following parts are available for reorder if damaged or missing.

Spare Parts List:

Mounting Strap Unit (A)	Mounting Screw (B)	Wire Connector (C)	Bolt Nut (D)

↓ Assembly Kit
6781MM (1 SET)

Glass Shade
10396CG



1 Year Warranty

Vaxcel warrants all of our products against defects in workmanship and finishes for one year following the date of shipment.

Exclusions: This warranty does not include the failure of products from extreme acts of nature; environmental conditions not suited for the products intended use; operation in temperatures outside of the range specified in the instruction manual; usage with improper power supply, power surges or dips. For coastal locations, some corrosion is considered normal for the environment.

Vaxcel reserves the right to repair, replace or issue a credit for any properly installed product, provided it is returned per RMA instruction. This warranty is limited to the cost of the product only and does not extend to transportation, installation or replacement costs.

How can warranty service be obtained?
info@vaxcel.com
 1-800-482-9235