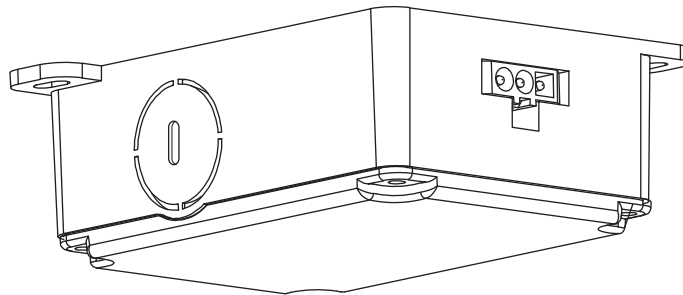




# HARDWIRE CONVERTER BOX

## IMPORTANT SAFETY INSTRUCTIONS AND INSTALLATION GUIDE



**READ BEFORE INSTALLATION**  
**SAVE THESE INSTRUCTIONS**

Questions, problems, missing parts? Before returning to the store,  
call Feit Electric Customer Service  
8 a.m. - 5 p.m., PST, Monday - Friday

1-866-326-BULB (2852)

[FEIT.COM](http://FEIT.COM)

We appreciate the trust and confidence you have placed in Feit Electric through the purchase of this Under Cabinet Hardwire Converter Box. We strive to continually create quality products designed to enhance your home. Visit us online to see our full line of products available for your home improvement needs.

Thank you for choosing Feit Electric.

# Table of Contents

Table of Contents .....	2
Safety Information .....	2
FCC Statement .....	2
Warranty .....	2
Pre-Assembly .....	3
Installation .....	4-5
Linking Fixtures .....	5

## Safety Information

### READ BEFORE INSTALLATION

1. Follow all safeguards stated in the manual, in addition to normal safety precautions in working with electrical devices. Always follow basic safety precautions to reduce the risk of fire, electric shock and personal injury.
2. **WARNING: RISK OF SHOCK:** House electric current can cause painful shock or serious injury unless handled properly. For your safety, always remember to:
  - A. Turn OFF the power supply at the fuse or circuit breaker box before you install the fixture.
  - B. Ground the fixture to avoid potential electric shocks and to ensure reliable starting.
  - C. Double check all connections to be sure they are tight and correct.
  - D. Wear rubber sole shoes and work on a sturdy ladder.
3. This fixture is designed for use in a circuit protected by a fuse or circuit breaker. It is also designed to be installed in accordance with local electrical codes. If you are unsure about your wiring, consult a qualified electrician or local electrical inspector, and check your local electrical code.
4. **WARNING: RISK OF CUTS:** Some metal parts in the fixture may have sharp edges. To prevent cuts and scrapes, wear gloves when handling the parts.
5. Account for small parts and destroy packaging material, as these may be hazardous to children.

**CAUTION:** To reduce the risk of fire or electric shock, do not use this device with a receptacle in which the slot openings do not align with the blades. Use only on 120VAC 60Hz circuits. Do not exceed 10A. Suitable for damp locations. Operating temperature -4°F to 77°F (-20°C to 25°C). When installing, make sure that power is switched off before connecting or disconnecting. This product is not user-serviceable. Do not attempt to open the product enclosure for any reason. **THIS PRODUCT IS NOT A VOLTAGE CONVERTER.** For more information visit [www.feit.com](http://www.feit.com) or call our toll free number 1-866-326-BULB.



**CAUTION:** To avoid risk of electrical shock, always make sure the product is unplugged from the electrical outlet before assembling, disassembling, relocating, servicing or cleaning it.



**WARNING:** These products may represent a possible shock or fire hazard if improperly installed or attached in any way. Products should be installed in accordance with the owners manual, current electrical codes and/or the current National Electric Code (NEC). Properly ground electrical enclosure. Use only UL or IEC approved wire for input/output connections.



**CAUTION:** To avoid risk of fire, explosion, or electrical shock, this product should be installed, inspected and maintained by a qualified electrician only, in accordance with all applicable electrical codes. Be certain electrical power is OFF before and during installation and maintenance.

### Supplier's Declaration of Conformity

47 CFR § 2.1077 Compliance Information

Responsible Party: Feit Electric Company  
4901 Gregg Road, Pico Rivera, CA 90660, USA  
562-463-2852  
Unique Identifier: UCL/JBX

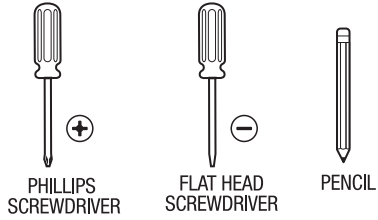
This device complies with part 15 of the FCC Rules. Operation is subject to the following two conditions: (1) This device may not cause harmful interference, and (2) this device must accept any interference received, including interference that may cause undesired operation. Note: This equipment has been tested and found to comply with the limits for a Class B digital device, pursuant to part 15 of the FCC Rules. These limits are designed to provide reasonable protection against harmful interference in a residential installation. This equipment generates, uses and can radiate radio frequency energy and, if not installed and used in accordance with the instructions, may cause harmful interference to radio communications. However, there is no guarantee that interference will not occur in a particular installation. If this equipment does cause harmful interference to radio or television reception, which can be determined by turning the equipment off and on, the user is encouraged to try to correct the interference by one or more of the following measures: Reorient or relocate the receiving antenna. Increase the separation between the equipment and receiver. Connect the equipment into an outlet on a circuit different from that to which the receiver is connected. Consult the dealer or an experienced radio/TV technician for help. Any changes or modifications not expressly approved by the manufacturer could void the user's authority to operate the equipment. CAN ICES-005(B)

### Limited Warranty

This product is warranted to be free from defects in workmanship and materials for up to 1 year from date of purchase. If the product fails within the warranty period, please contact Feit Electric at [info@feit.com](mailto:info@feit.com), visit [feit.com/contact-us](http://feit.com/contact-us) or call 1-866-326-BULB (2852) for instructions on replacement or refund. REPLACEMENT OR REFUND IS YOUR SOLE REMEDY. EXCEPT TO THE EXTENT PROHIBITED BY APPLICABLE LAW, ANY IMPLIED WARRANTIES ARE LIMITED IN DURATION TO THE DURATION OF THIS WARRANTY. LIABILITY FOR INCIDENTAL OR CONSEQUENTIAL DAMAGES IS HEREBY EXPRESSLY EXCLUDED. Some states and provinces do not allow the exclusion of incidental or consequential damages, so the above limitation or exclusion may not apply to you. This warranty gives you specific legal rights, and you may also have other rights which vary from state to state or province to province.

# Pre-Installation

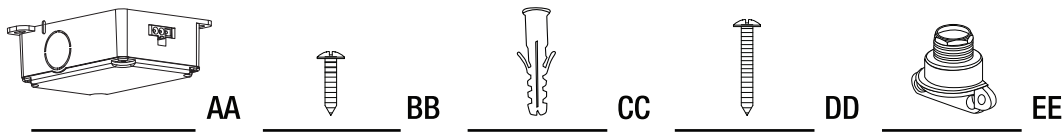
## TOOLS REQUIRED



## HARDWARE INCLUDED



**NOTE:** Hardware not shown to actual size.



Part	Description	Quantity
AA	Hardwire Converter Box	1
BB	Wood Mounting Screws	2
CC	Screw Anchors	2
DD	Drywall Mounting Screws	2
EE	Clamp Connector	1

### DEVICE COMPATIBILITY LIST (Max 100 paired units)

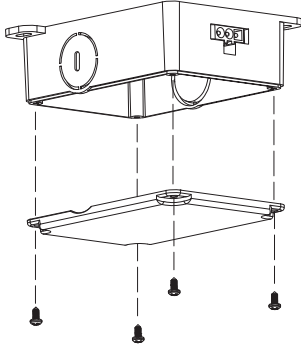
UCL12/5CCT	
UCL18/5CCT	
UCL24/5CCT	
UCL36/5CCT	
UCL12FP/5CCTCA	
UCL18FP/5CCTCA	
UCL24/FP/5CCTCA	
UCL36/FP/5CCTCA	
UCL72/FLEX/5CCT	★
UCL96/ROPE/5CCT	★
BPUCL/PUCK/5CCT/3	
UCL192/FLEX/5CCT	★

★ Items are not compatible with dimmers. Use only on 120VAC circuit.

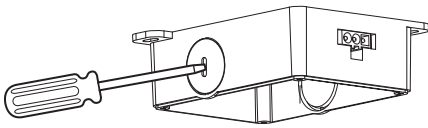
# Screw Mount Installation

- 1 Turn the power OFF at the switch and fusebox or the circuit breaker.

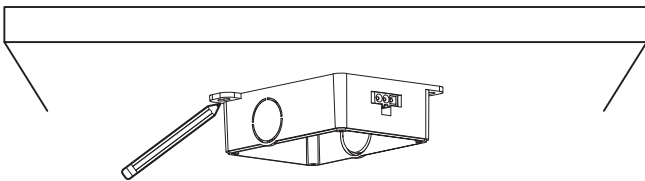
- 2 Remove UCL/JBX cover by using a Phillips head screwdriver to remove the 4 screws.



- 3 Carefully remove the knock-out with a Flat head screwdriver or punch.

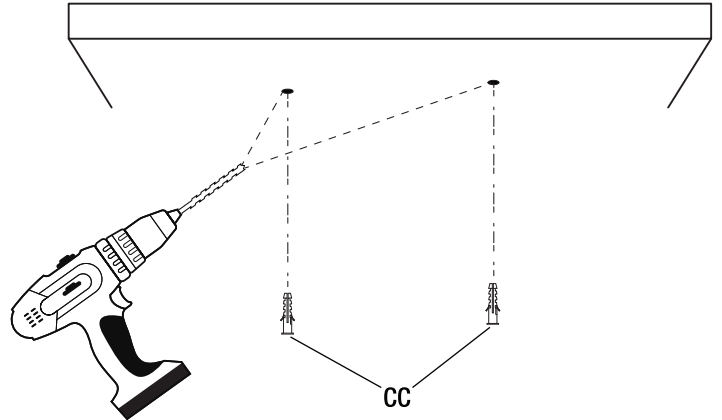


- 4 Select the area to mount the UCL/JBX. Use a pencil and mark the 2 mounting points.

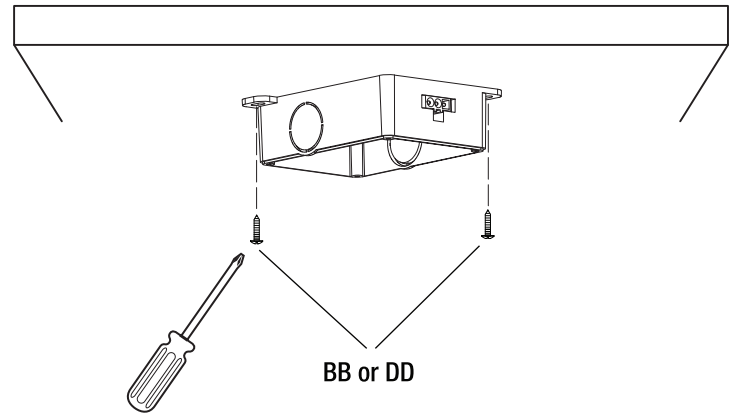


## 5 OPTIONAL (For Drywall)

Drill the marked holes using a 3/16 in. drill bit, then insert Anchors (CC).

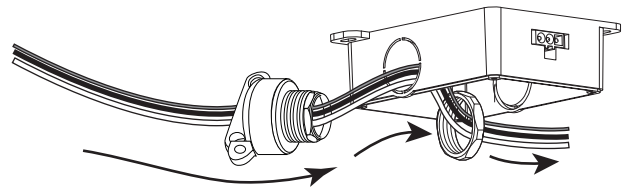


- 6 Use the Phillips Head Screwdriver to mount the UCL/JBX unit with the appropriate mounting screws according to your surface: Wood Mounting Screws (BB) or Drywall Mounting Screws (DD).



## 7 Insert the House Wires

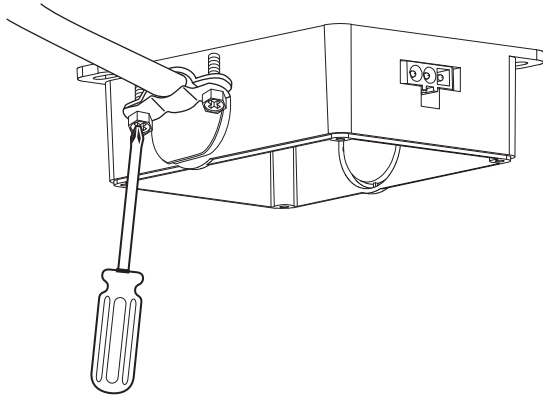
Feed the House Wires thru the Clamp Connector and UCL/JBX. Secure the Clamp Connector with the Clamp Connector Nut.



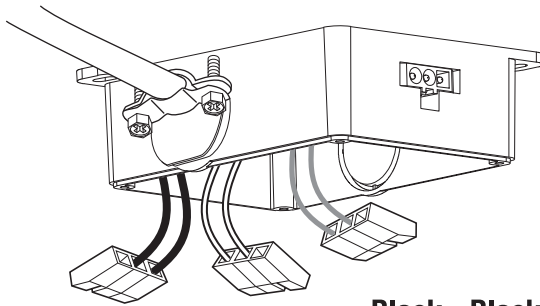
# Screw Mount Installation (cont.)

## 8 Tighten the screws on the Clamp Connector

To Secure the House wires, tighten the screws on the Clamp Connector.

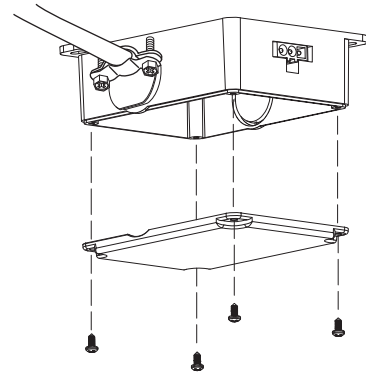


## 9 Connect House wires to their corresponding Quick Connectors inside the UCL/JBX.



**Black - Black**  
**White - White**  
**Green/Copper - Green**

## 10 Replace cover of the UCL/JBX by using a Phillips head screwdriver with the 4 screws.



## Linking LED Fixtures

Connect a ONESYNC product (not included) to the UCL/JBX (AA) using the Linking Cable (not included).

