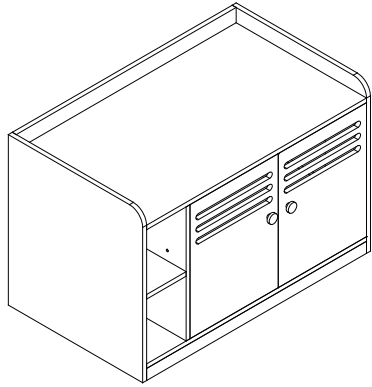


# ASSEMBLY INSTRUCTION



A x 33



B x 33



C x 4



D x 2



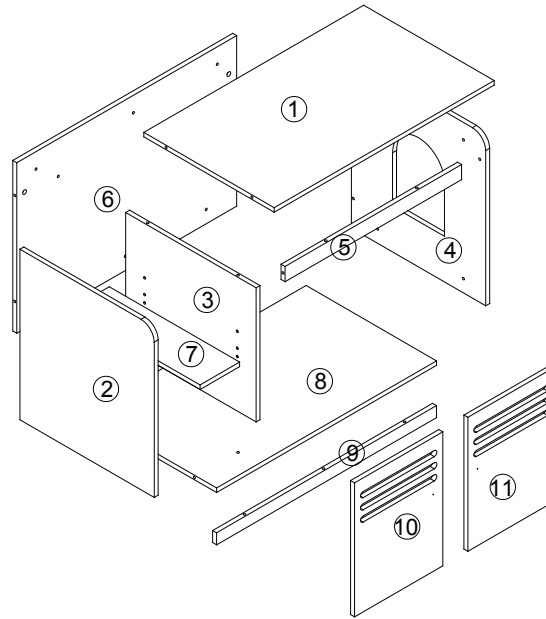
E x 2



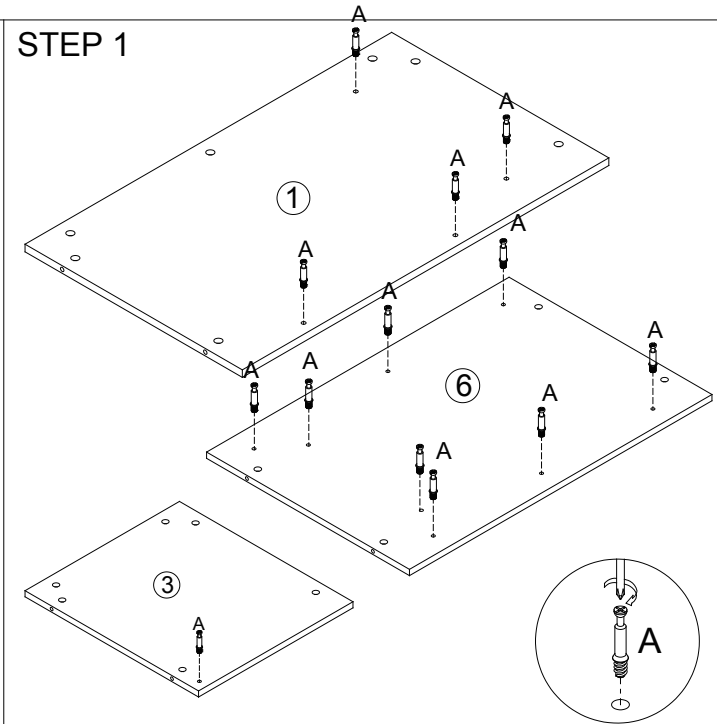
F x 24



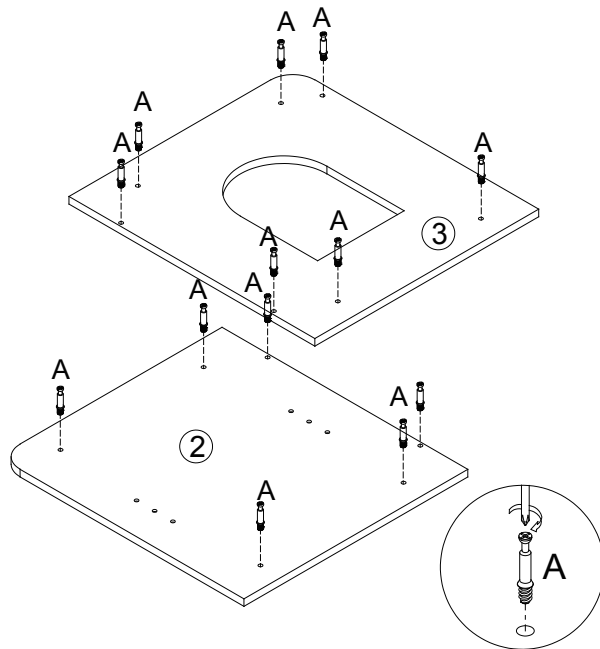
G x 4



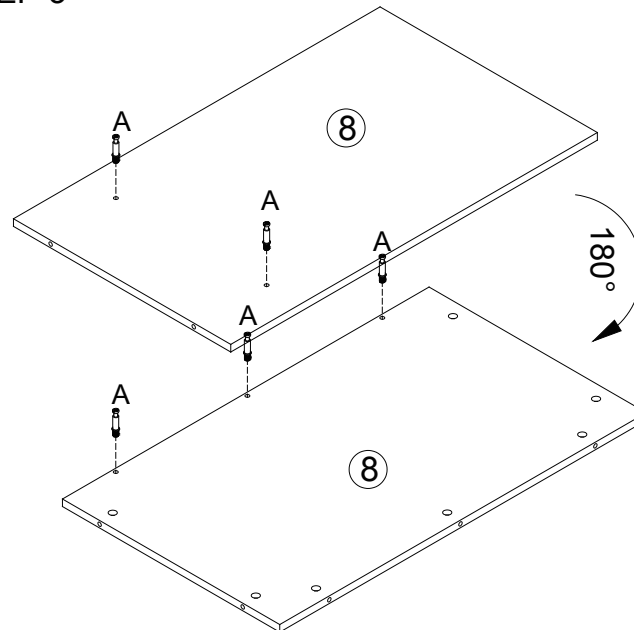
STEP 1



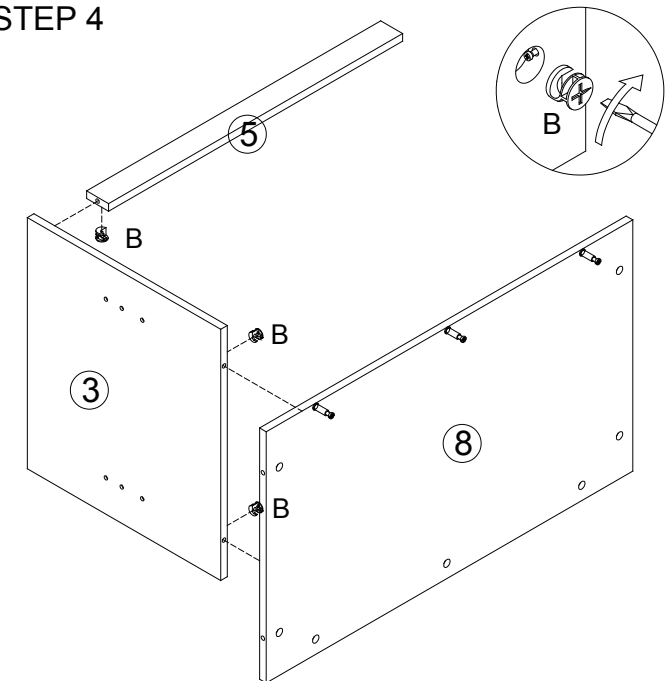
STEP 2



STEP 3

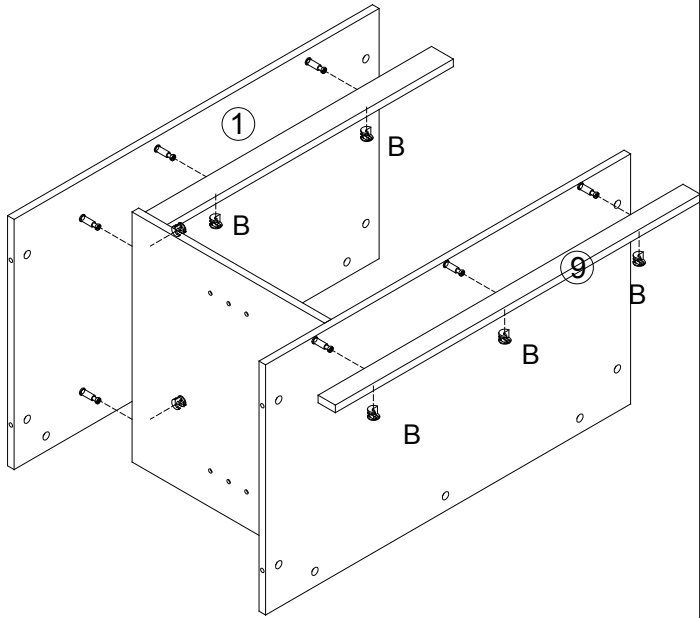


STEP 4

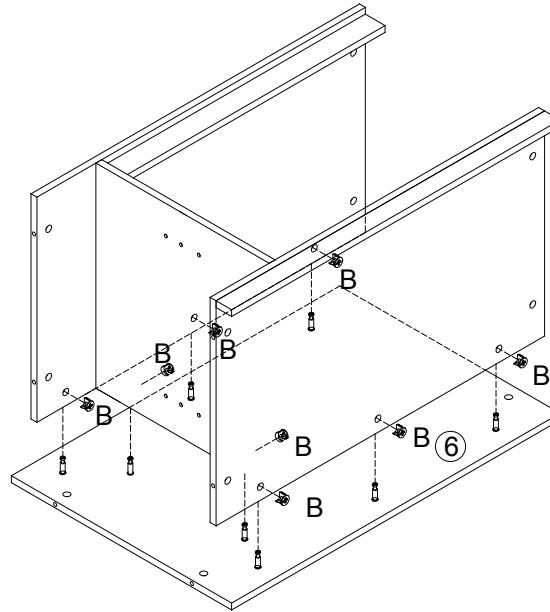


# ASSEMBLY INSTRUCTION

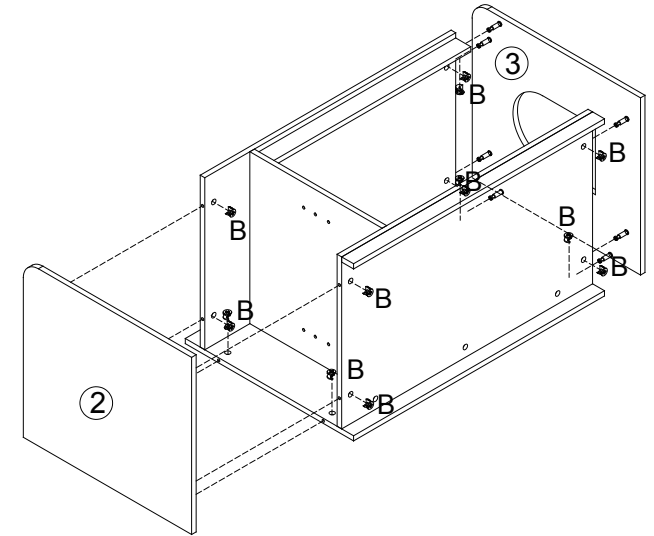
STEP 5



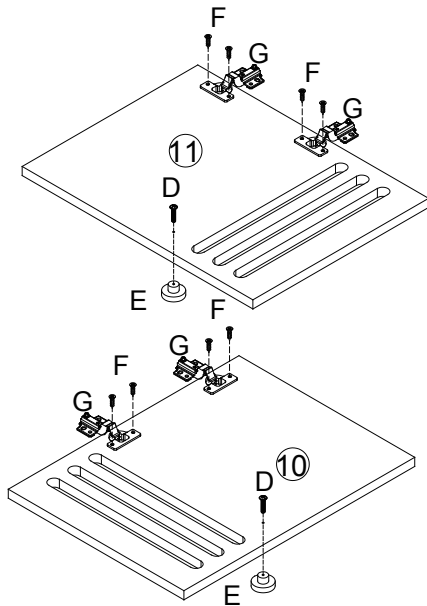
STEP 6



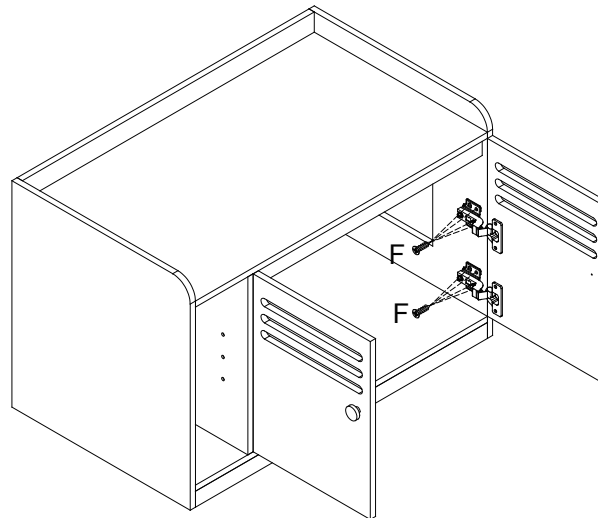
STEP 7



STEP 8



STEP 9



STEP 10

