

**OVERVIEW**

The nLight **nRM PC ADC** Series photocell sensor provides both on/ off and automatic dimming control for daylight harvesting applications. Ideal for spaces with windows, such as vestibules, corridors, classrooms, or offices, the sensor works by monitoring daylight conditions in a room, then controlling the lighting so as to ensure that adequate lighting levels are maintained. The **nRM PC ADC** is capable of directly controlling the dimming level of any 0-10 VDC dimmable ballast as well as signaling a power pack or other relay to turn off power completely. The **nRMR PDT 9 2P** sensor recess mounts into a 4" x 4" square junction box and can be used alone or together with occupancy sensors.

**FEATURES**

- Full On/Off Switching of Lighting
- Automatically Dims 0-10 VDC Ballasts
- Communicates w/ nLight Network
- Remotely Configurable/Upgradeable
- Self-Calibrating Set-Point
- Push-Button Programmable
- 100 Hr Lamp Burn-in Timer
- Green LED Indicator

**SPECIFICATIONS**

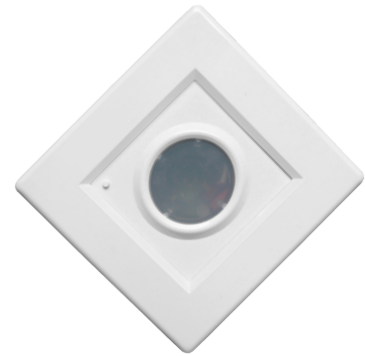
Size: 4.40" (11.18 cm) Square  
 Weight: 6 oz  
 Mounting: Recesses into a 4" x 4" square junction box  
 Color: White  
 nLight Network Ports: 2 RJ-45  
 Power Consumption: ~ 3 mA  
 Dimming Load: Sinks < 20mA; ~40 Ballasts @ .5mA each  
 Wires: 20 AWG (2)

ROHS Compliant



nLight®

*nRM PC ADC  
 Combination On/Off/  
 Dimming Photocell*



**Warranty**

Five-year limited warranty. Complete warranty terms located at:  
[www.acuitybrands.com/CustomerResources/Terms\\_and\\_conditions.aspx](http://www.acuitybrands.com/CustomerResources/Terms_and_conditions.aspx)

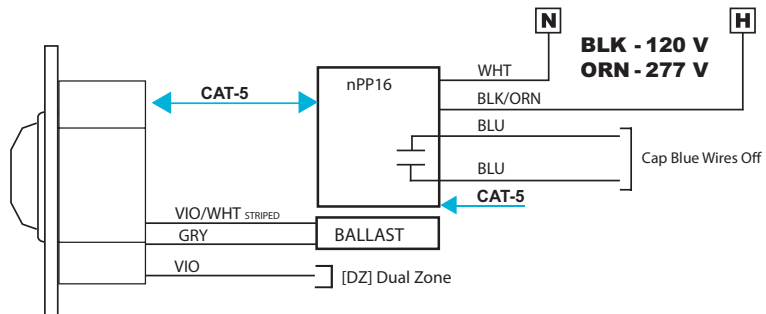
**Note:** Actual performance may differ as a result of end-user environment and application. Specifications subject to change without notice.

ORDERING INFORMATION

nRM PC ADC		Example: nRM PC ADC LT	
Series	Dual Zone	Temp/ Humidity	
nRM PC ADC    Combination On/Off/Dimming Photocell	[blank] None DZ        Dual Zone	[blank] Standard LT        Low temp	

## WIRING (DO NOT WIRE HOT)

Sensor power is provided via the CAT-5 connection. T568B pin/pair assignment is recommended for all CAT-5 cables.



## DEVICE SETTINGS

Several operational settings for the **nRM PC ADC** are available:

- Automatic set-point calibration mode
- 100 hr burn-in timer mode
- Blink back set-point (in footcandles)
- 10's digit of set-point (0-200 fc)
- One's digit of set-point (0-9 fc)
- Dimming range upper limit (0-10 VDC)
- Dimming range lower limit (0-10 VDC)
- Dual zone set-point offpoint % (110-200%)
- Dual zone dimming offset (.5-10 VDC)
- Photocell transition off timer (45 sec to 25 min)
- Photocell broadcasting (enable/disable)
- Photocell broadcast channel (1-16)
- Sunlight discount factor (1-8)