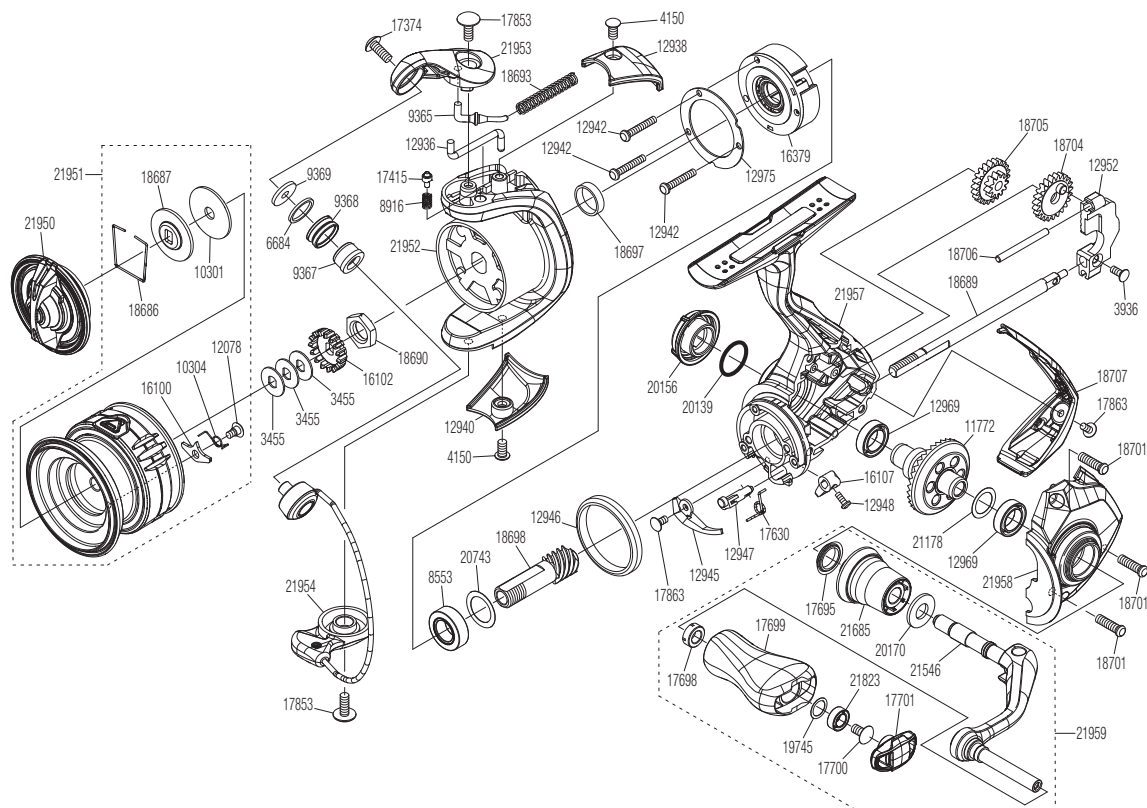


# SHIMANO

## NASCI

## NS-500



Please note that the number of adjusting washers may not always be the same as shown in the exploded view.

(51SF45A005X)

Please note that your actions take full responsibility when you take it apart.

Part No.	Description	Part No.	Description	Part No.	Description
RD 3455	Spool Washer	RD16107	Anti Reverse Lever	RD20170	Washer
RD 3936	Screw	RD16379	Roller Clutch Assembly	RD20743	Washer
RD 4150	Screw	RD17374	Screw	RD21178	Washer
RD 6684	Spacer	RD17415	Click Pin	RD21546	Handle Shank Assembly
RD 8553	Ball Bearing	RD17630	Anti Reverse Cam Spring	RD21685	Handle Shaft Cover Assembly
RD 8916	Click Spring	RD17695	Handle Shaft Seal	RD21823	Ball Bearing
RD 9365	Bail Spring Guide A	RD17698	Bushing	RD21950	Drag Knob Assembly
RD 9367	Bushing	RD17699	Handle Knob	RD21951	Spool Assembly
RD 9368	Line Roller	RD17700	Screw	RD21952	Rotor Assembly
RD 9369	Washer	RD17701	Handle Knob Seal	RD21953	Bail Arm
RD10301	Drag Washer	RD17853	Screw	RD21954	Bail Assembly
RD10304	Drag Click Spring	RD17863	Screw	RD21957	Body Assembly
RD11772	Drive Gear Assembly	RD18686	Retainer	RD21958	Side Cover
RD12078	Screw	RD18687	Key Washer	RD21959	Handle Assembly
RD12936	Bail Trip Lever	RD18689	Main Shaft		
RD12938	Bail Spring Cover	RD18690	Rotor Nut		
RD12940	Bail Hold Support Guard	RD18693	Bail Spring		
RD12942	Screw	RD18697	Rotor Ring		
RD12945	Bail Trip Strike	RD18698	Pinion Gear		
RD12946	Friction Ring	RD18701	Screw		
RD12947	Anti Reverse Cam	RD18704	Oscillating Gear		
RD12948	Screw	RD18705	Idle Gear		
RD12952	Oscillating Slider	RD18706	Oscillating Guide		
RD12969	Ball Bearing	RD18707	Rear Protector		
RD12975	Roller Clutch Reinforce	RD19745	Washer		
RD16100	Drag Click	RD20139	O Ring		
RD16102	Spool Support	RD20156	Handle Screw Cap		