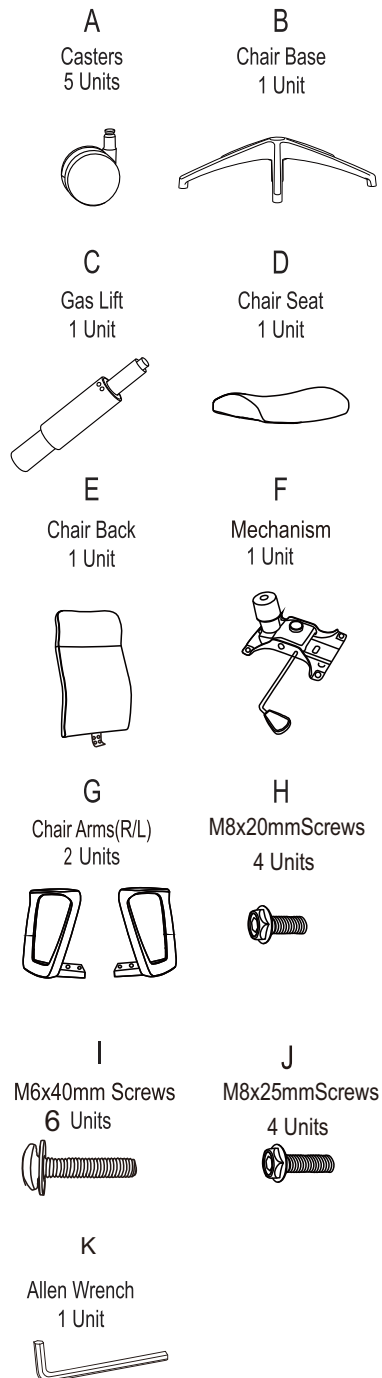


Model: BSX110VA19T Executive Chair with Integrated Headrest

Parts Listing

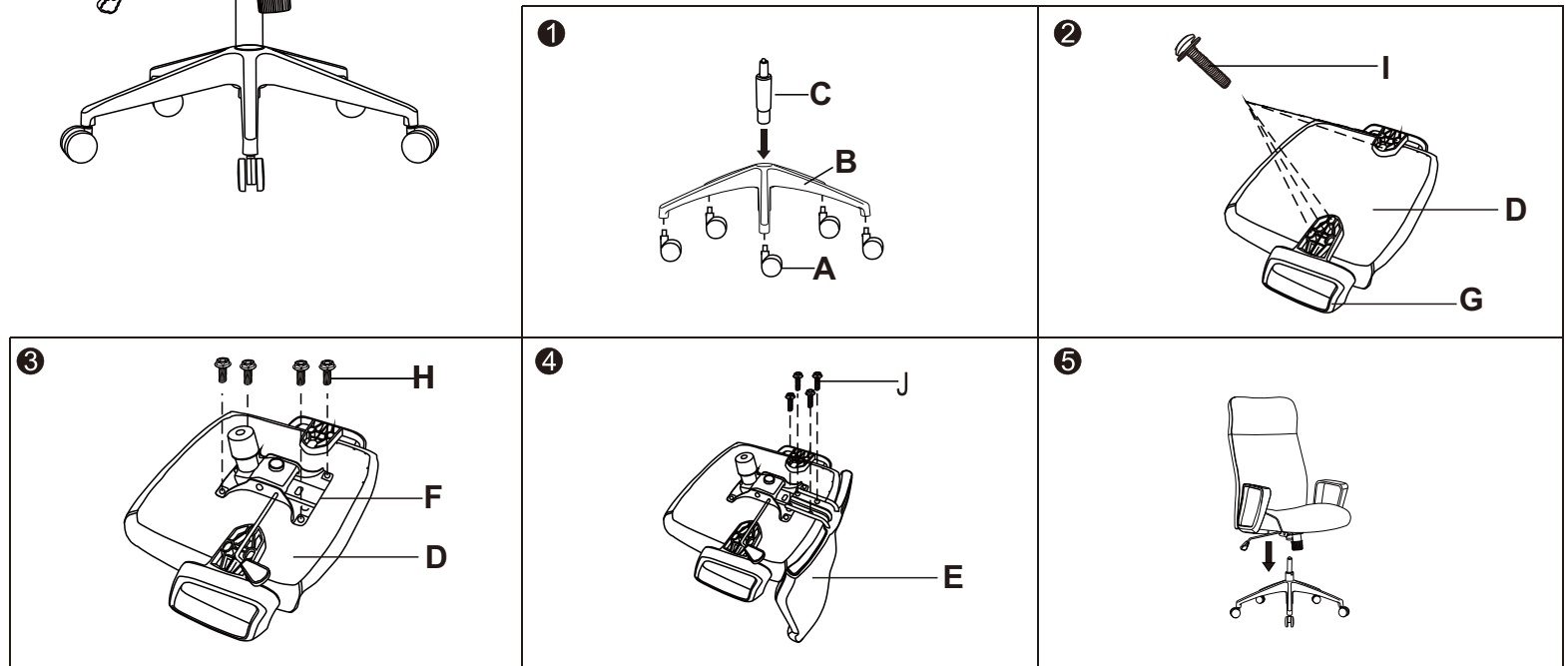


Assembly Instructions



Tools Needed: Allen Wrench - Provided
Please read all instructions before assembly.

- Step 1:** Insert Casters (A) into Chair Base(B). Insert Gas Lift(C) into the hole in the center of the Base(B).
- Step 2:** Assemble the armrest (G) to Chair Seat(D) using four M6 x 40mm Screws(I) as shown. Tighten with Allen Wrench(J).
- Step 3:** Attach Mechanism (F) to Chair Seat(D) using four M8 x 25mm Screws(H) as shown. Tighten with Allen Wrench(J).
- Step 4 :** Attach Chair Back (E) to Chair Seat(D) using four M8 x 25mm Screws(H) as shown. Tighten with Allen Wrench(J).
- Step 5 :** Carefully place the assembled Chair Frame onto the Gas Lift(C). Aligning the hole in the Seat Mechanism on the Chair Seat(D) with the Gas Lift(C). Press down on the Chair Seat(D) to secure in place.



WEIGHT CAPACITY: 275 lbs.

Assembly Notes:

During assembly, hand tighten screw only when all screws are in place, you may then tighten all screws completely.

CAUTION:

1. Do not use this chair as a step ladder.
2. Check for loose screws and tighten them every 6 months.

HONBASYX.COM

