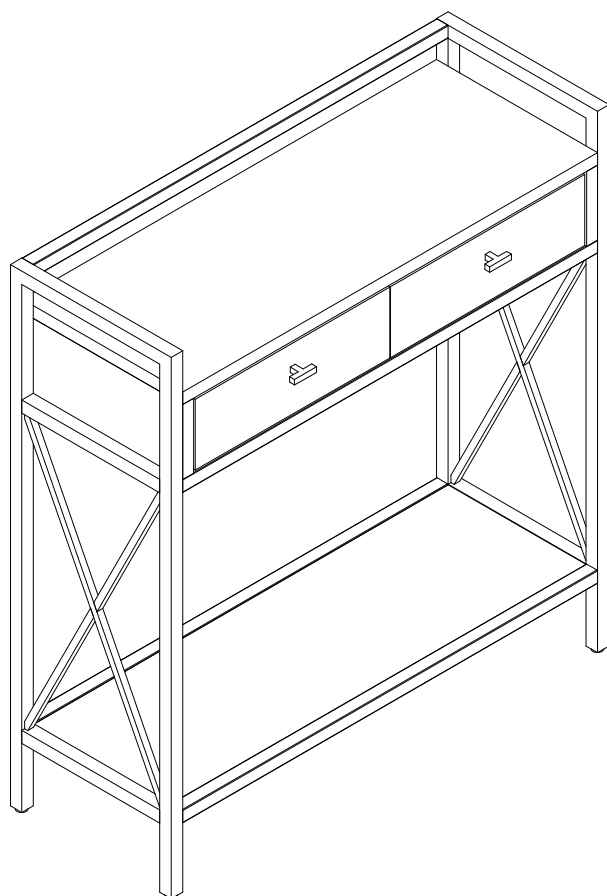


Thank you for purchasing Leick Furniture products.  
Contact customer service for comments or concerns.

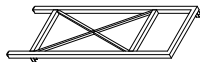
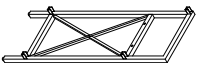

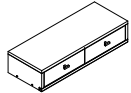
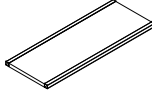




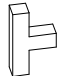
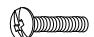

## Assembly Instructions, #9231 Claudette Hall Stand

**Note:**

*A packet with complete set of hardware can be found by pulling the red ribbon that's easily visible upon opening the box.*

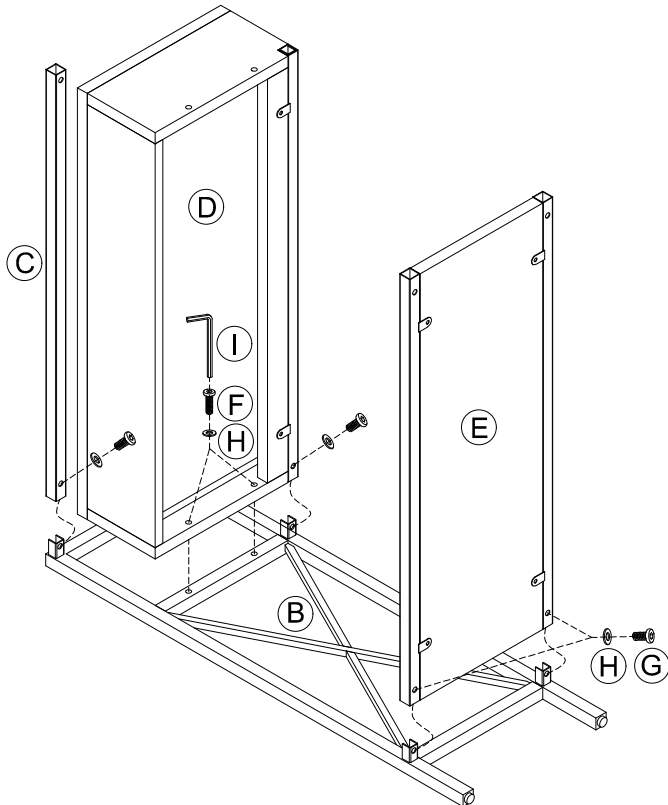


### Parts List

A	Left Side Frame		1
B	Right Side Frame		1
C	Back Gallery		1
D	Top Assembly		1
E	Shelf		1
F	Long Bolts		4
G	Short Bolts		8
H	Flat Washers		12
I	Allen Wrench		1
J	Door Pulls		2
K	Machine Screws		2
L	Anti-tipping Kit		1

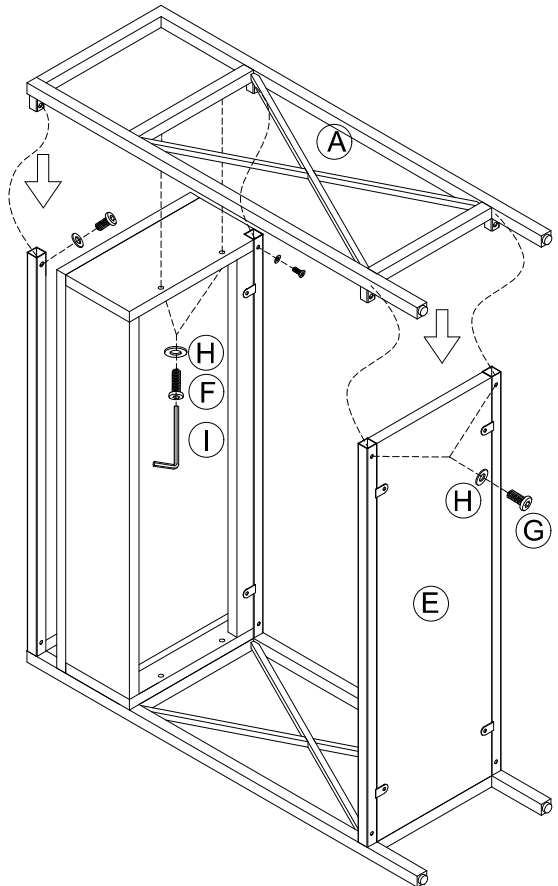
### Step 1

- 1.1) Lay the right side frame (B) on a soft surface, insert its tube to one end of the back gallery (C), as shown on the drawing below, fasten with one short bolt and flat washer.
- 1.2) Put the top assembly (D) on, fitting the metal tube's end onto the right side frame's assembly tube. Fasten with 1 short bolt and washer at the bottom of top assembly.
- 1.3) Fasten the top assembly to the right side frame with 2 long bolts and washers.
- 1.4) Insert shelf (E) onto metal side frame's tube, fasten with 2 short bolts.



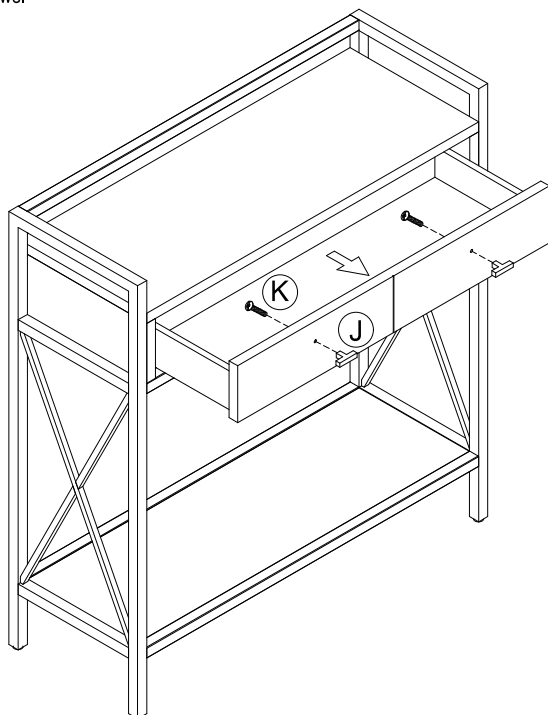
### Step 2

- 2.1) Insert the tubes of the left side frame to the ends of back gallery (C), top assembly (D) and shelf (E).
- 2.2) Push to make sure all tubes are properly inserted, fasten with 4 short bolts on back gallery, bottom of top assembly and shelf.
- 2.3) Fasten the top assembly to the left side frame with 2 long bolts and washers.



### Step 3

- 3.1) Place the table upright. Open the drawer from bottom with fingers to install pulls.
- 3.2) Fasten the drawer pulls with 2 machine screws from inner face of drawer front. Check to ensure the 2 of them are properly aligned before tightening the machine screws.



### Step 4

- 4.1) Adjust the levelers at the bottom of legs if needed.
- 4.2) Fasten one part of the anti-tipping kit onto the pre-drilled holes at back panel and another part into the wall. Loop the strap through the holes of the fastened parts and pull its end to tighten.

