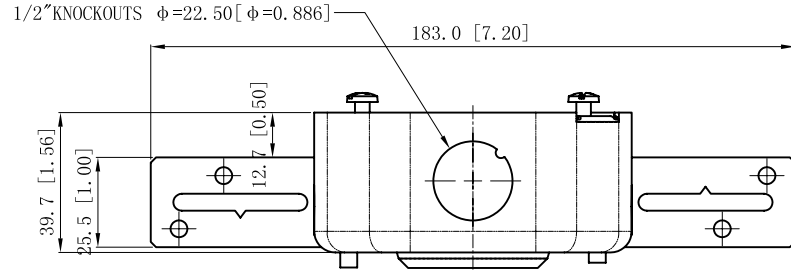
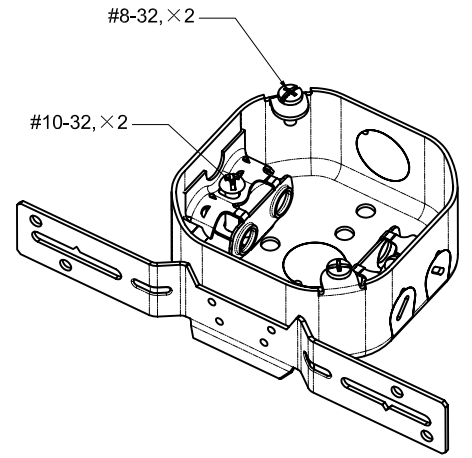
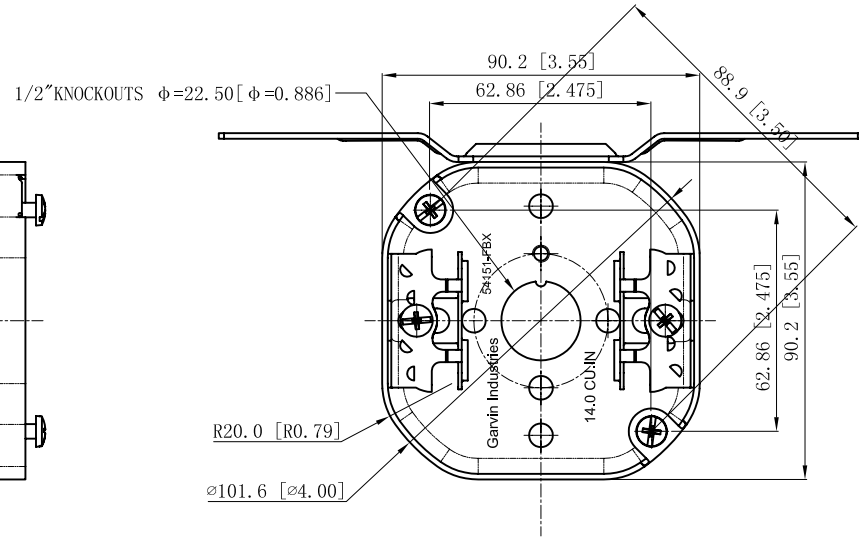
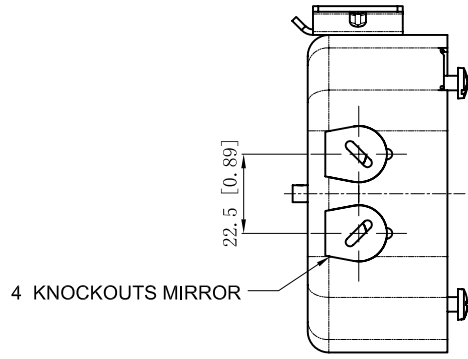
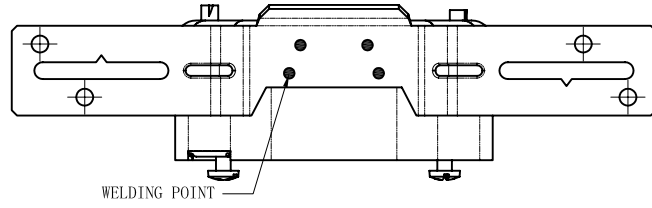


SIDES	BOTTOM
1/2"KNOCKOUTS	1/2"KNOCKOUTS
4KNOCKOUTS	
2 PCS 8-32×1/2 Screws Installed	
2 PCS 10-32×1 Screws Installed	
Material:Steel-0.0625"-G60 Galvanized	



DESCRIPTION
TRADE REFERENCE TERMS

This data sheet is for reference only.GARVIN INDUSTRIES reserves the right to make changes to the design without prior notice.

STANDARD PACKING	GARVIN INDUSTRIES		
	4"OCTAGON BOXES 1-1/2"DEEP		
25 PCS	TITLE	54151-FBX	
	SIZE A4	DWG NO.	REV
		DATA SHEET	