

Assembly Guide



Bush
FURNITURE

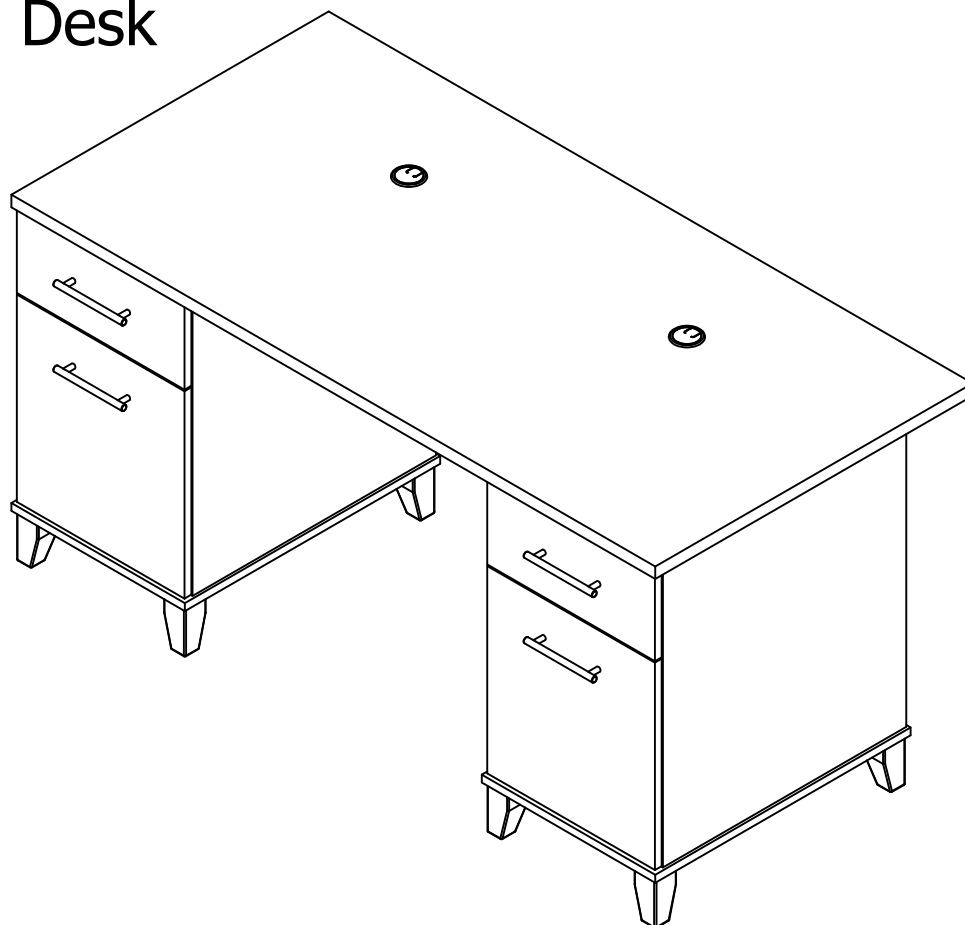


If you're having any difficulty during assembly of this product, don't hesitate to call us at **1-800-950-4782.**

Our customer service experts are trained to provide step-by-step instruction and can easily replace any missing or damaged parts.

Representatives are available Monday-Friday from 8:30 a.m. to 7:30 p.m. (ET)

Pedestal Desk



Lot Code #

Instruction Sheet Number A186386H

Keep manual for future reference.

For best results, keep these tips in mind:

- ① We know you want to finish this assembly as quickly as possible, but trust us: you'll have a better experience if you take it one step at a time.
- ② Give yourself some room to work near where you want the fully assembled product.
- ③ If your floor isn't carpeted, assemble this product on the empty carton to avoid scratching.
- ④ Do you have a friend who owes you a favor? Some steps may go a little easier with a second set of hands.

DOs

- ✔ Use a #2 Phillips head screwdriver (or other handheld tools as indicated)
- ✔ Wear safety glasses at all times during assembly
- ✔ Carefully follow the instructions in this guide and complete all steps in order
- ✔ Give us a call if you're having trouble with a particularly tricky step

DON'Ts

- ✘ We know power tools are quick and easy, but you shouldn't use them when assembling this product (unless otherwise specified)
- ✘ Never move your furniture with items inside or resting on the surface
- ✘ Do not attempt to use this product before all steps have been completed

Watch assembly videos right on your phone or computer!



Some steps include QR codes that link to helpful videos. Watch out for the icon on the left! Simply open up your smartphone camera to scan the code.

(Users of older smartphones may need to install a QR Reader.)

SCAN HERE



FOR VIDEOS

Or visit <https://www.bushfurniture.com/CustomerService/HowtoAssemble.aspx>



IMPORTANT SAFETY INFORMATION



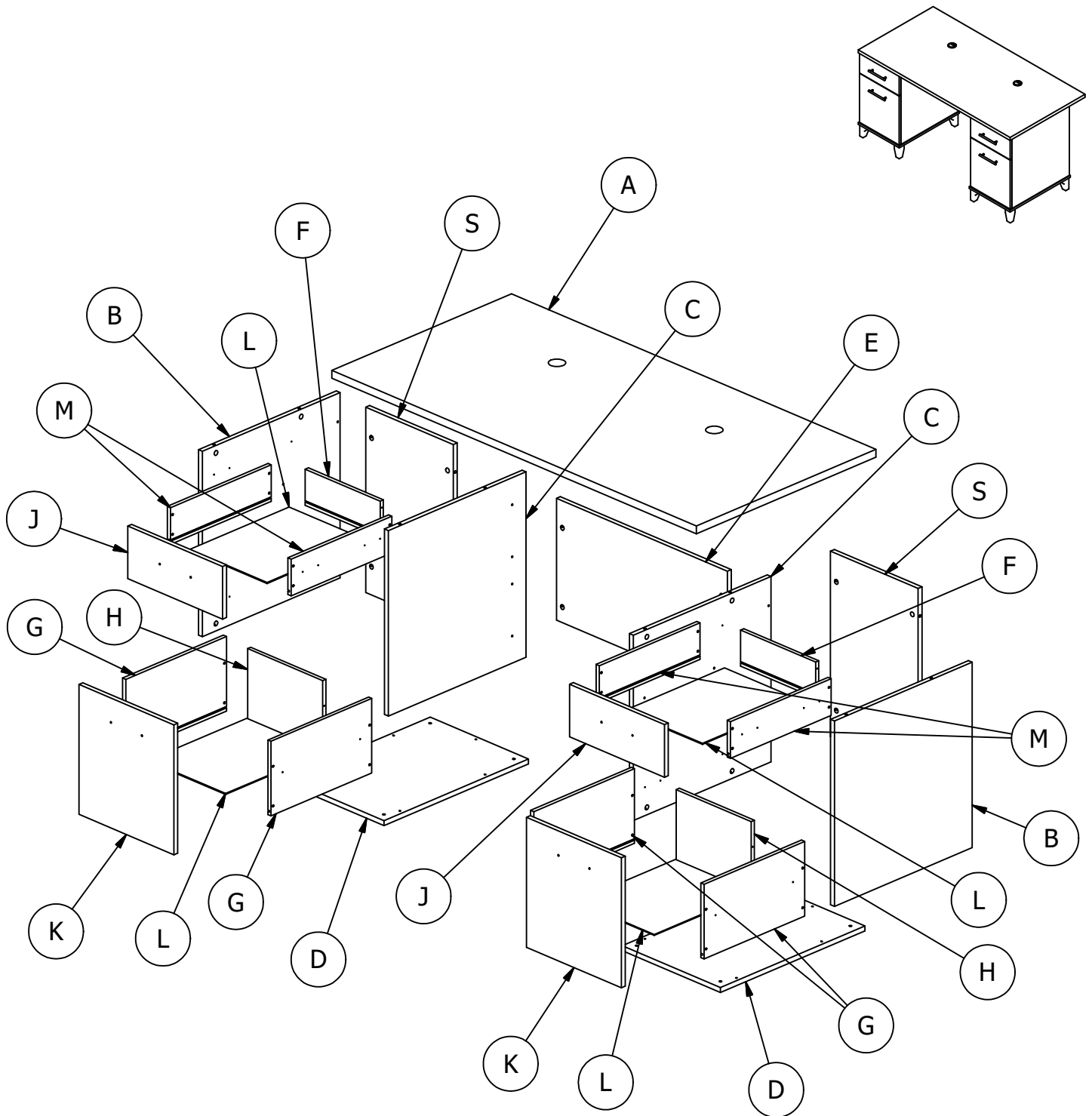
PLEASE READ WARNINGS

Improper use can cause safety hazards, or damage to your furniture and household items.

Warning	Do	Don't	Why it's important
Serious injury may occur.	<ul style="list-style-type: none">Assemble following all instructions using all indicated parts and hardware provided.	<ul style="list-style-type: none">Do not move unit when loaded.Do not load with a television or other heavy equipment.Do not exceed the maximum load limits stated in the instructions.	Improper assembly, use or loading can lead to product instability, tipover, or collapse.

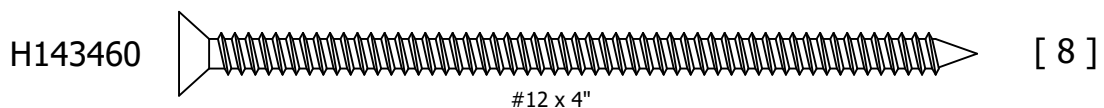
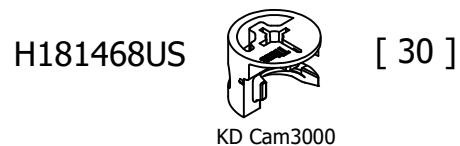
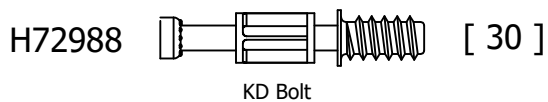
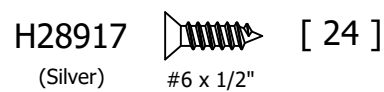
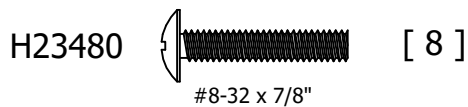
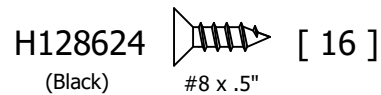
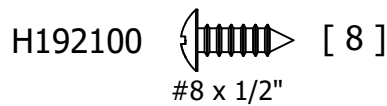
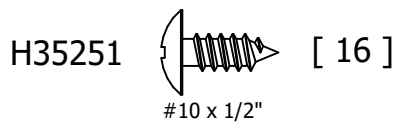
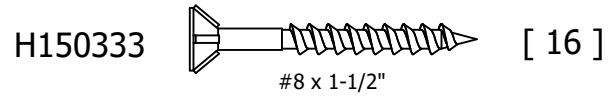
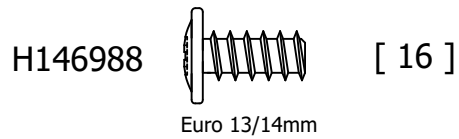
Advertencia	Hacer	No	Por qué es importante
Pueden producirse lesiones graves.	<ul style="list-style-type: none">Realice el montaje siguiendo todas las instrucciones y utilizando todas las piezas indicadas y los herrajes suministrados.	<ul style="list-style-type: none">No mueva la unidad cuando esté cargada.No cargue el mueble con un televisor u otro equipo pesado.No supere los límites máximos de carga indicados en las instrucciones.	El montaje, uso o carga inadecuados pueden provocar inestabilidad, vuelco o colapso del producto.

Avertissement	À faire	À ne pas faire	Pourquoi c'est important
Peut entraîner des blessures graves.	<ul style="list-style-type: none">Assembler en suivant toutes les instructions et en utilisant toutes les pièces et la quincaillerie incluses.	<ul style="list-style-type: none">Ne pas déplacer le meuble lorsqu'il est chargé.Ne pas charger le meuble avec un téléviseur ou tout autre équipement lourd.Ne pas dépasser les limites de poids maximales indiquées dans les instructions.	Un assemblage, une utilisation ou un chargement incorrects peuvent entraîner l'instabilité, le basculement ou l'effondrement du produit.



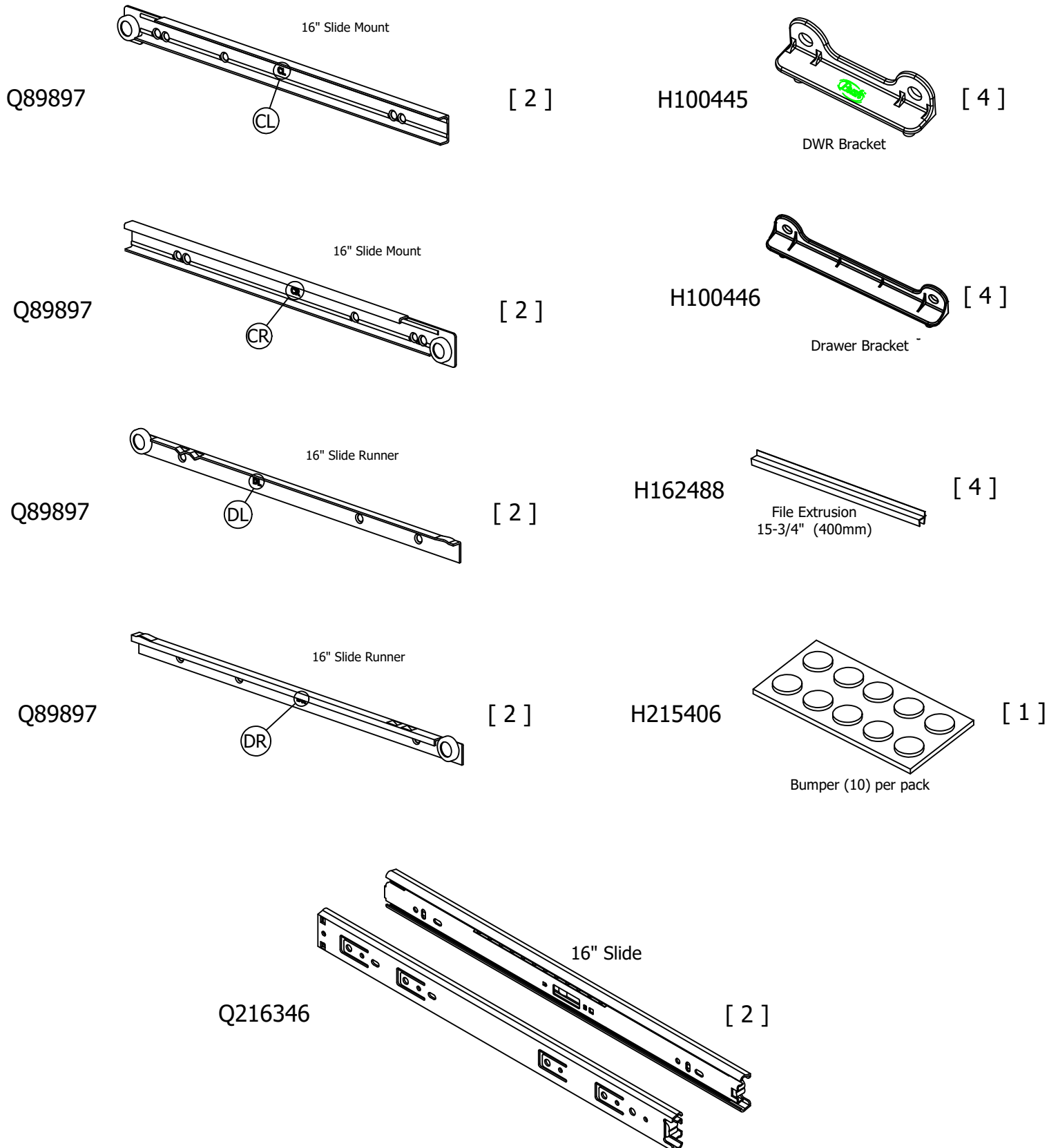
Have an assembly question or need a replacement part? Just call **1-800-950-4782**, we are here to help.

Fasteners are shown actual size.



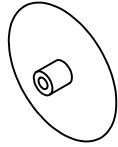
Have an assembly question or need a replacement part? Just call
1-800-950-4782, we are here to help.

Hardware not to scale.



Have an assembly question or need a replacement part? Just call **1-800-950-4782**, we are here to help.

Hardware not to scale.



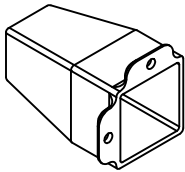
[4]

Cover Cap



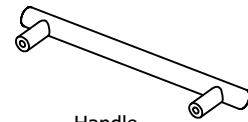
[2]

5mm Hole Plug



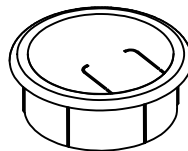
[8]

Foot



[4]

Handle



[2]

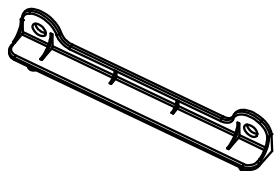
Grommet

STEP 1

Prepare Panels

A186386H

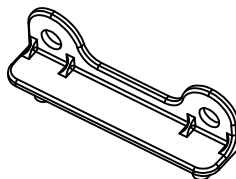
H100446



[4]

Drawer Bracket

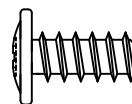
H100445



[4]

DWR Bracket

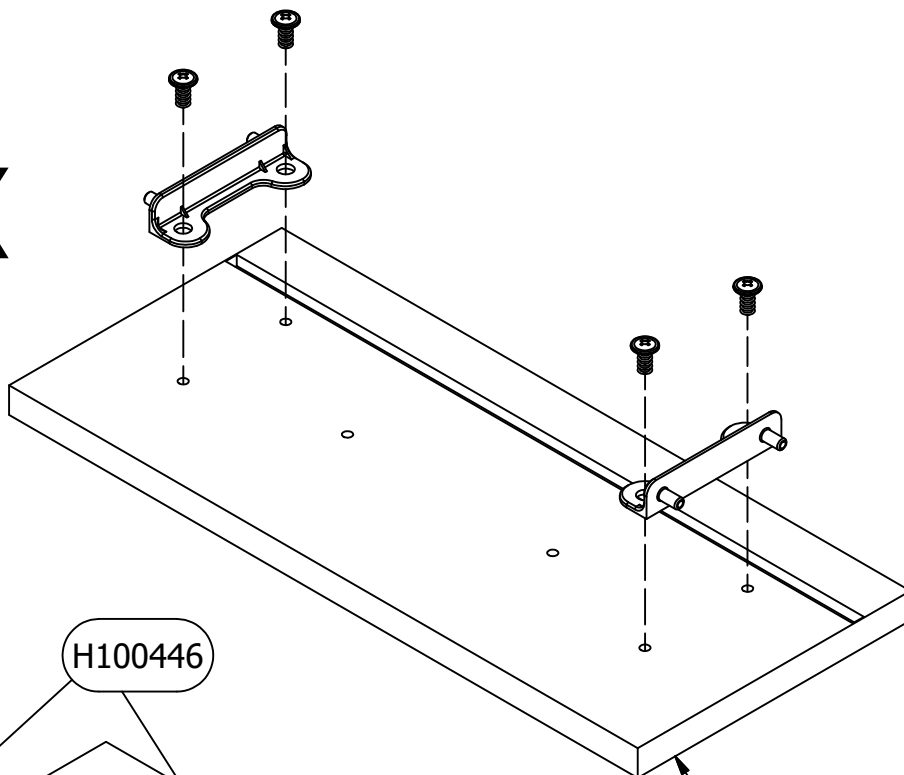
H146988



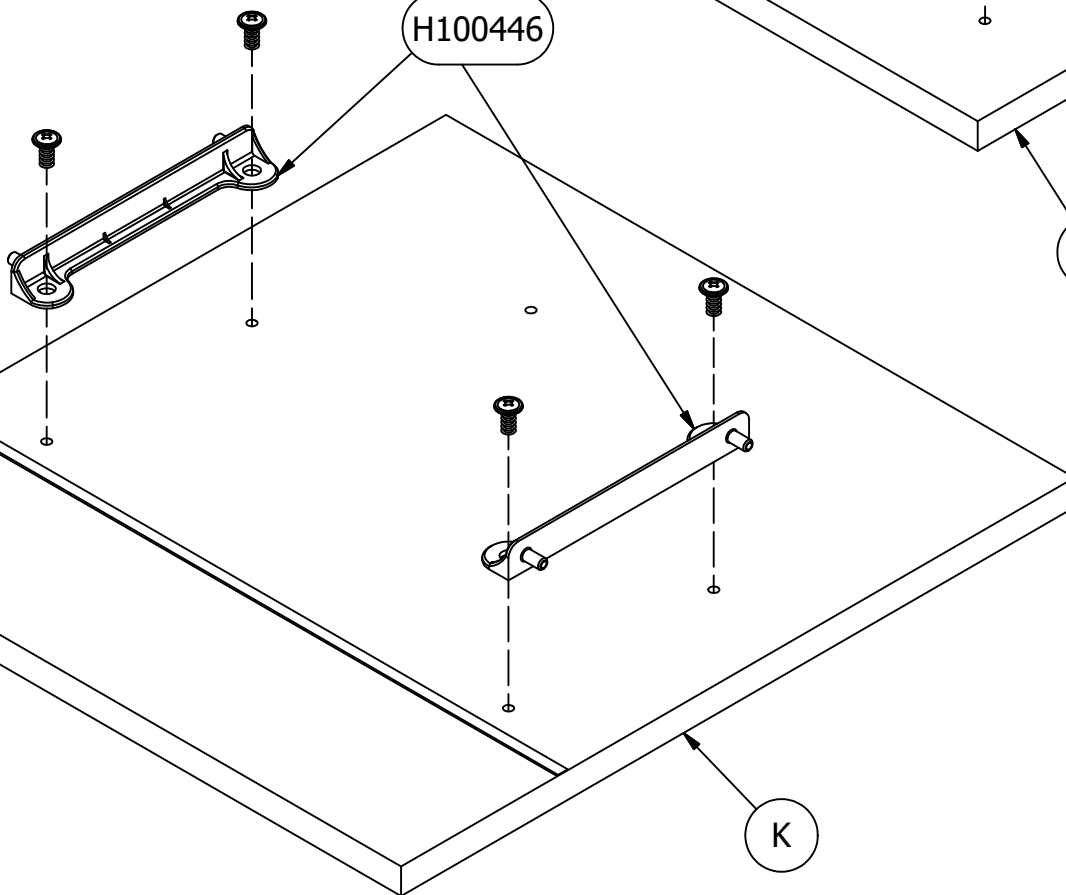
[16]

Euro 13/14mm

2X



H100446



2X

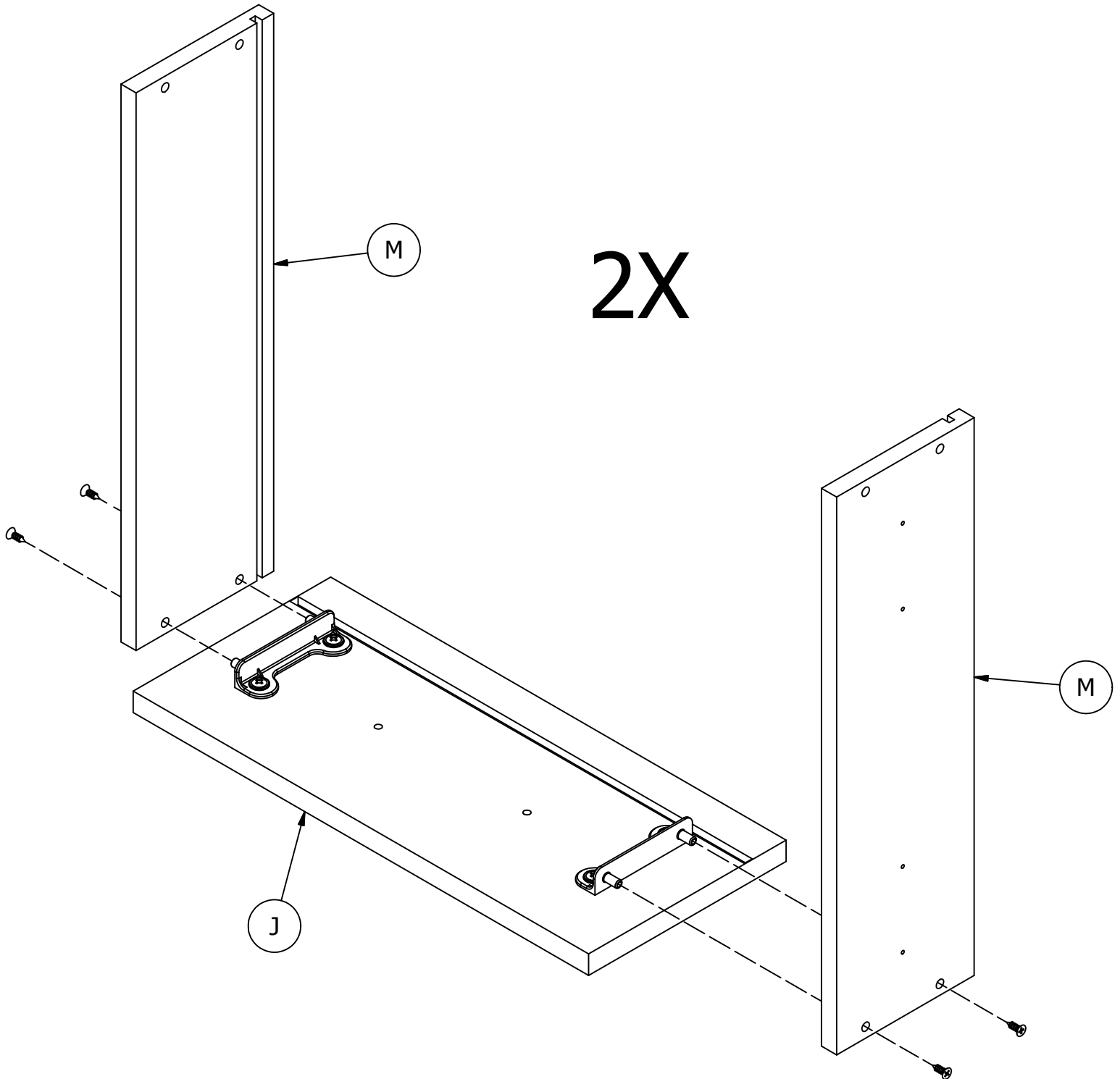
Have an assembly question or need a replacement part? Just call
1-800-950-4782, we are here to help.

STEP 2

Assemble Panels

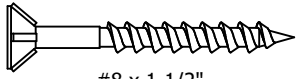
A186386H

H128624 [8]
(Black) #8 x .5"



Have an assembly question or need a replacement part? Just call
1-800-950-4782, we are here to help.

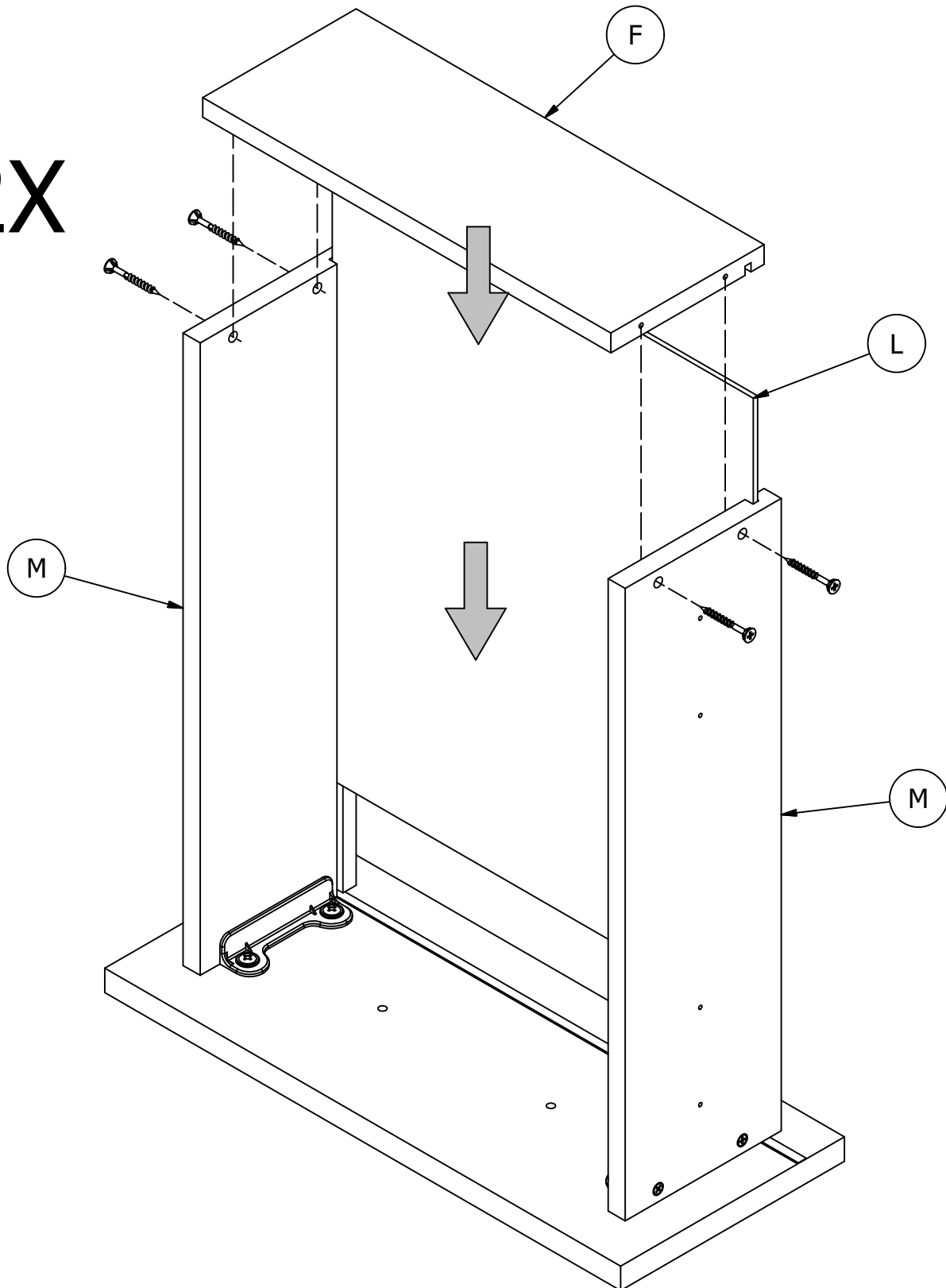
H150333



[8]

#8 x 1-1/2"

2X





Have an assembly question or need a replacement part? Just call **1-800-950-4782**, we are here to help.

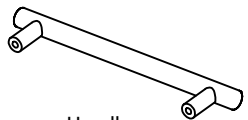
STEP 4

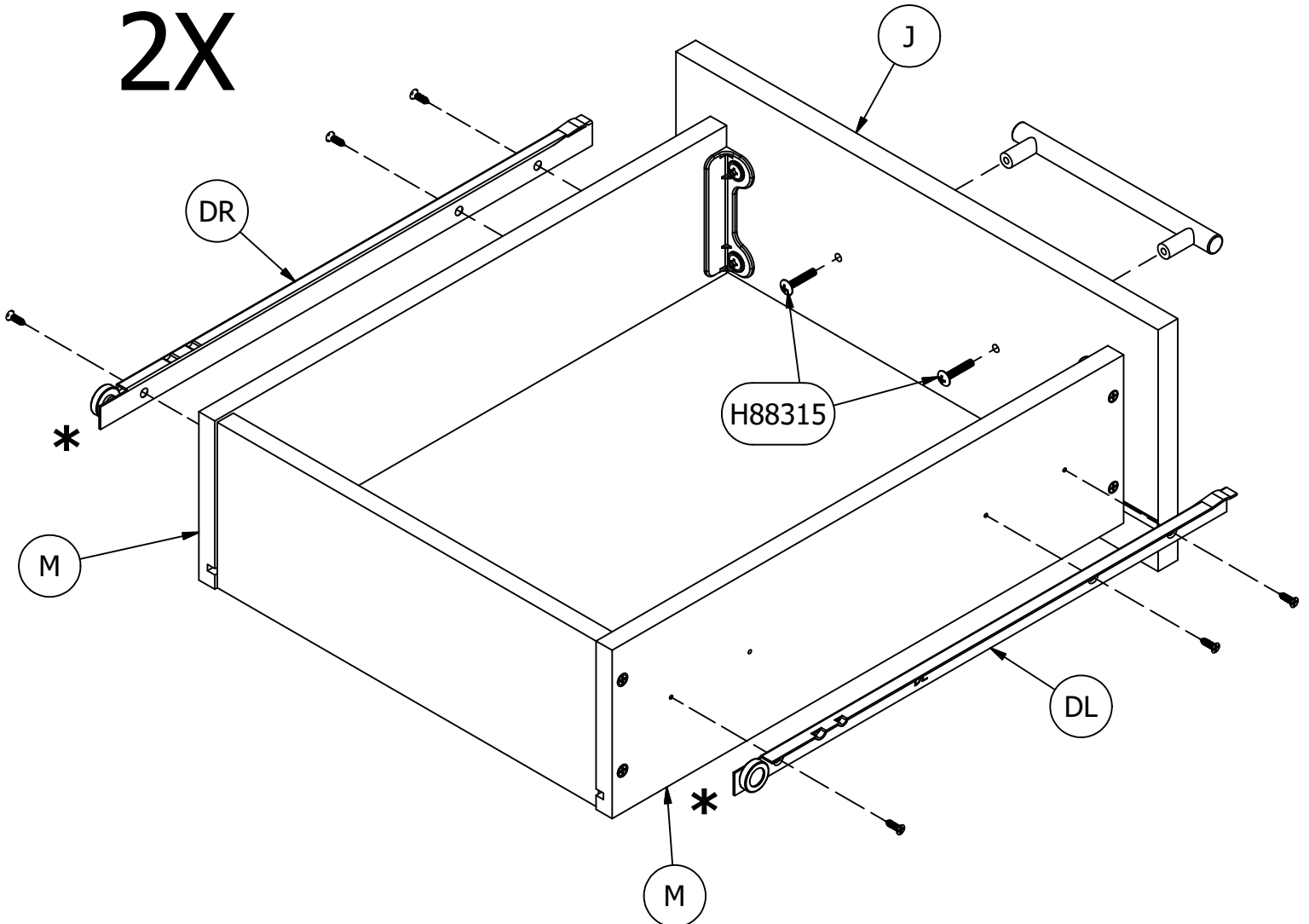
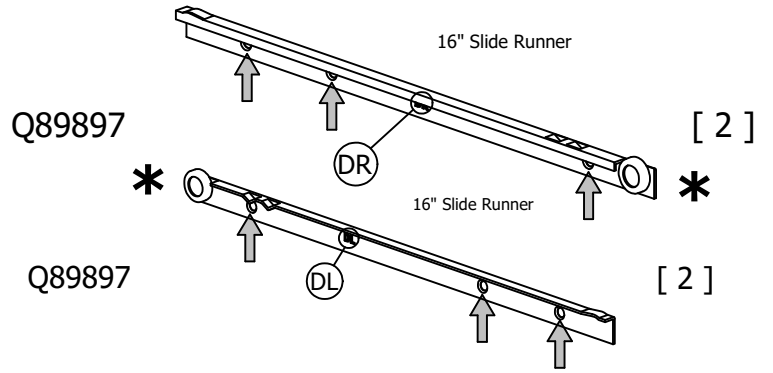
Attach Hardware

A186386H

H23480  [4]
#8-32 x 7/8"

H28917  [12]
(Silver) #6 x 1/2"

 [2]
Handle

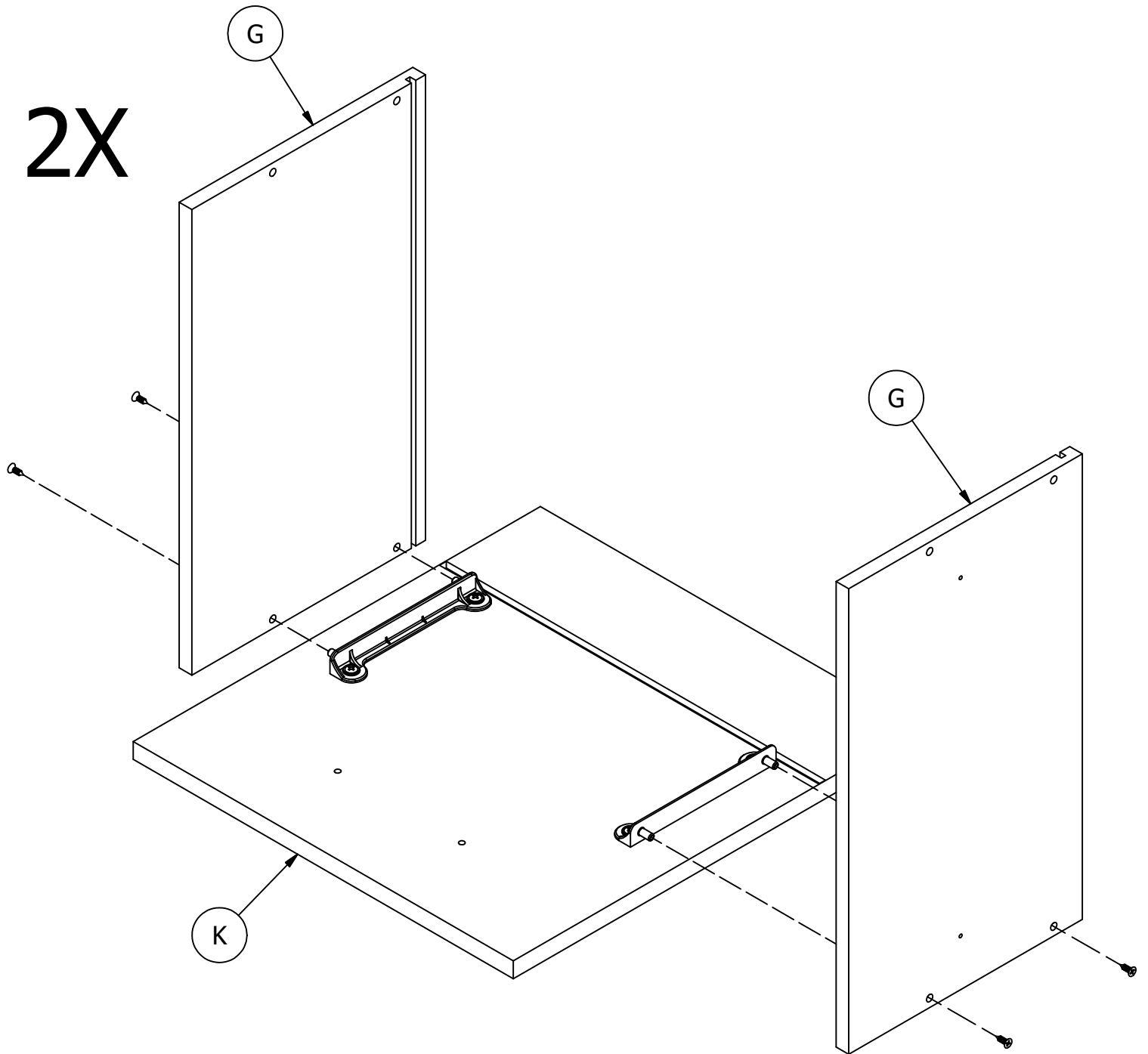


Have an assembly question or need a replacement part? Just call
1-800-950-4782, we are here to help.

H128624 [8]
(Black) #8 x .5"

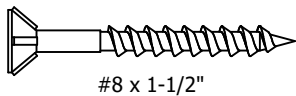


2X



Have an assembly question or need a replacement part? Just call
1-800-950-4782, we are here to help.

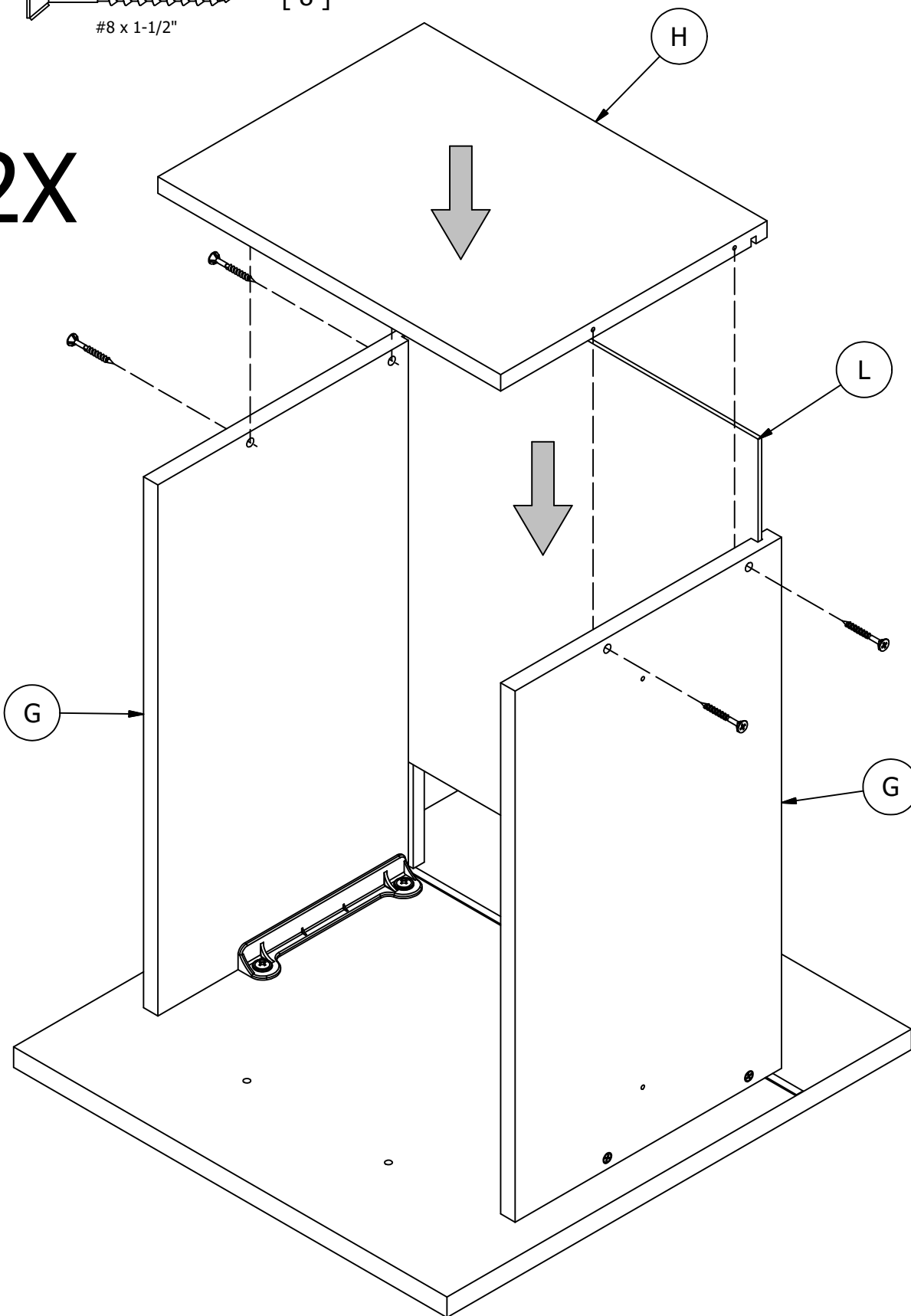
H150333



[8]

#8 x 1-1/2"

2X



Have an assembly question or need a replacement part? Just call
1-800-950-4782, we are here to help.

Scan QR Code to Watch Video on:

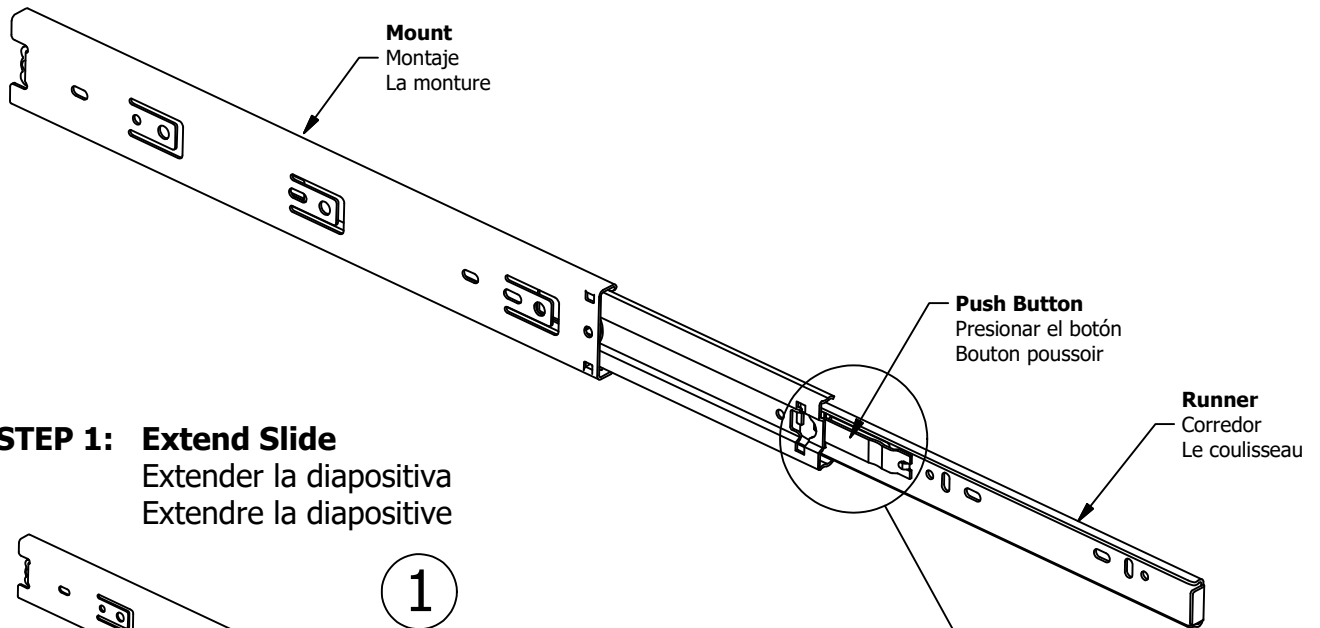


How to Separate and Install Drawer Slides

**Slides Must Be Separated Before Assembly.
After Separated, Set Aside Until Needed for Assembly.**

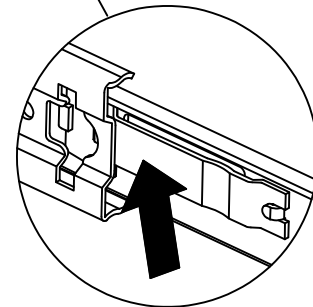
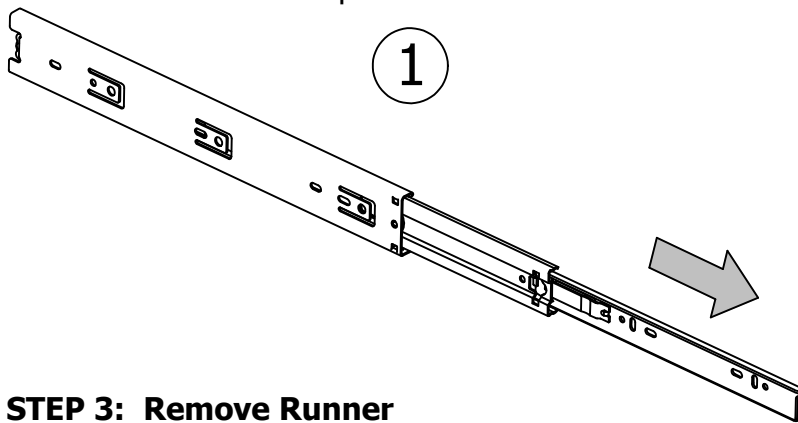
Las diapositivas deben separarse antes del montaje.
Después de la separación, déjelo a un lado hasta que sea necesario.

Les glissières doivent être séparées avant l'assemblage.
Après la séparation, mettez de côté jusqu'au moment de l'assemblage.



STEP 1: Extend Slide
Extender la diapositiva
Extendre la diapositive

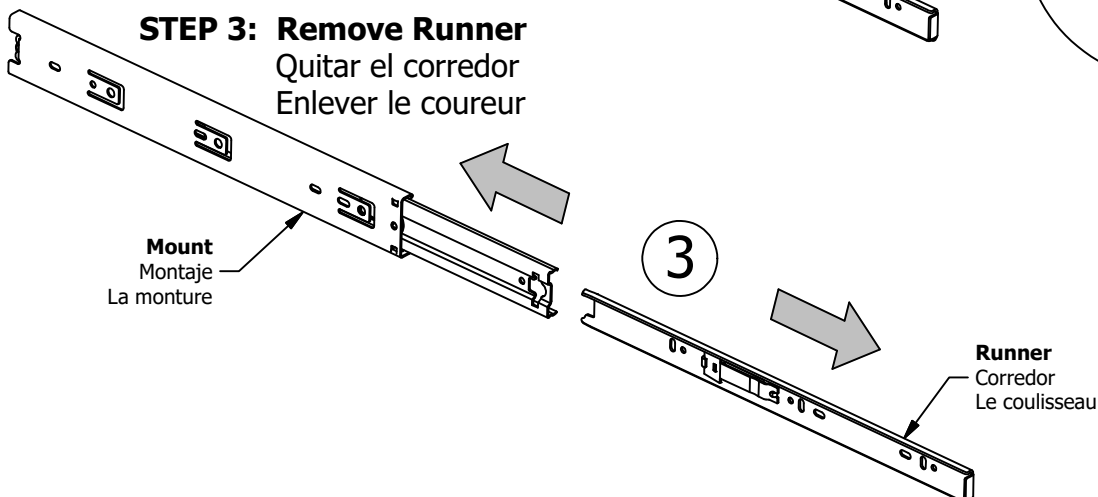
1



2

STEP 3: Remove Runner
Quitar el corredor
Enlever le coureur

3



Have an assembly question or need a replacement part? Just call **1-800-950-4782**, we are here to help.

STEP 8

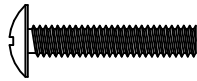
Attach Hardware


A186386H

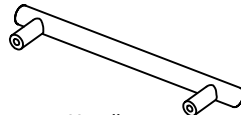
Scan QR Code to Watch Video on:



How to Separate and Install Drawer Slides

H23480  [4]
#8-32 x 7/8"

H192100  [8]
#8 x 1/2"

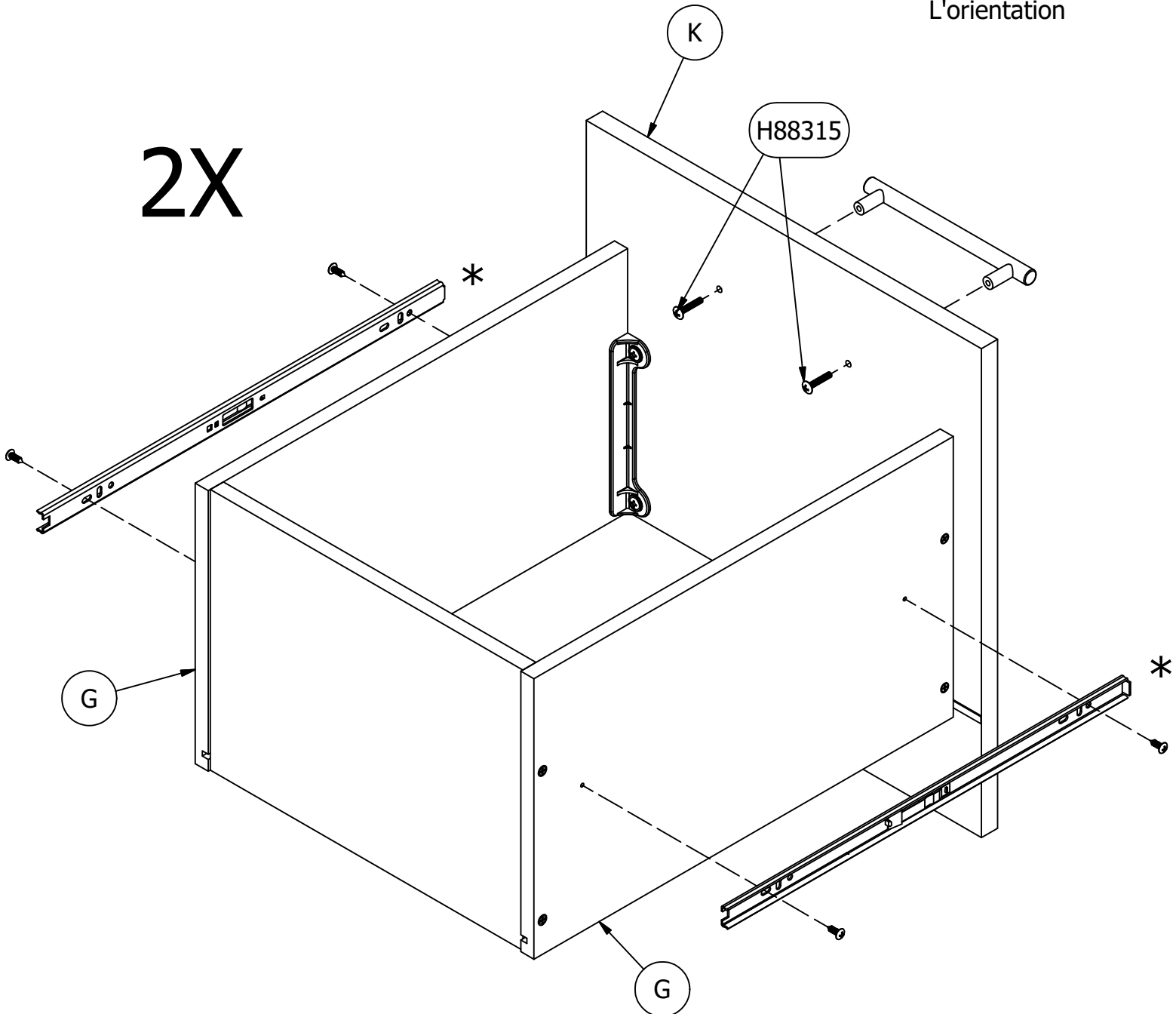
 [2]
Handle

Q216346  [4]

16" Slide Runner

Orientation
Orientación
L'orientation

2X



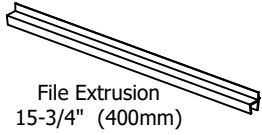
Have an assembly question or need a replacement part? Just call **1-800-950-4782**, we are here to help.

STEP 9

Attach Hardware

A186386H

H162488



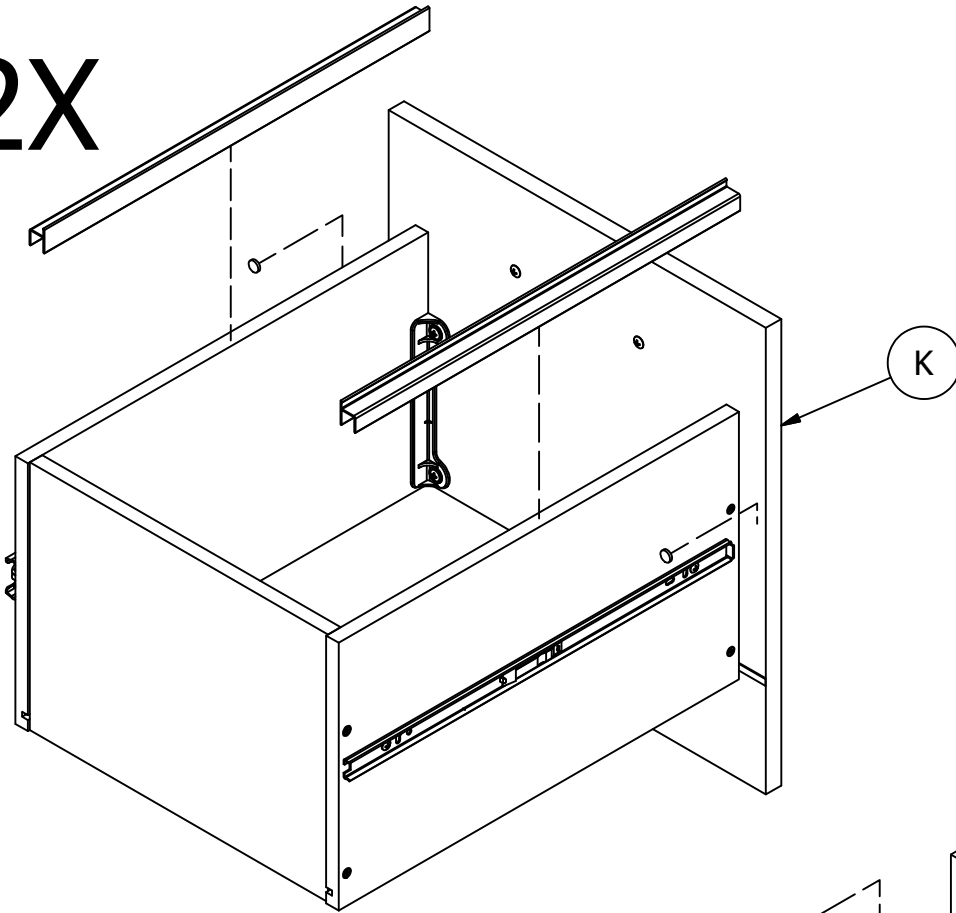
[4]

H215406

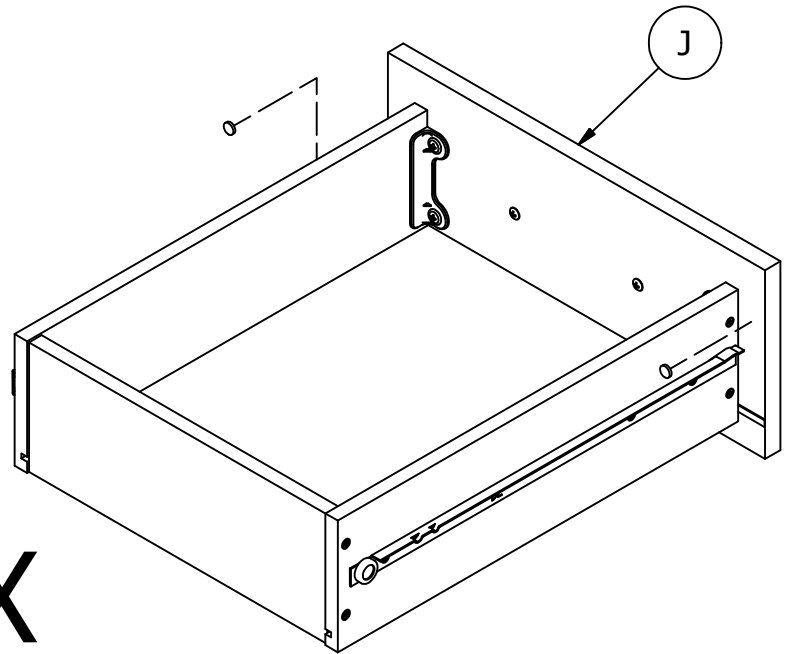


[8]

2X



2X



Have an assembly question or need a replacement part? Just call
1-800-950-4782, we are here to help.

STEP 10

Prepare Panel

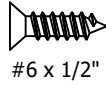
A186386H

Scan QR Code to Watch Video on:

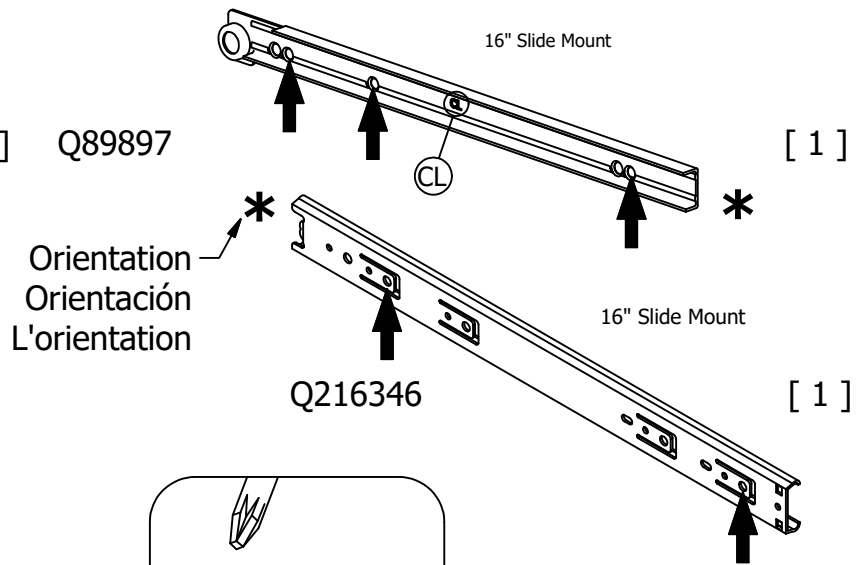
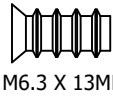


How to Separate and Install Drawer Slides

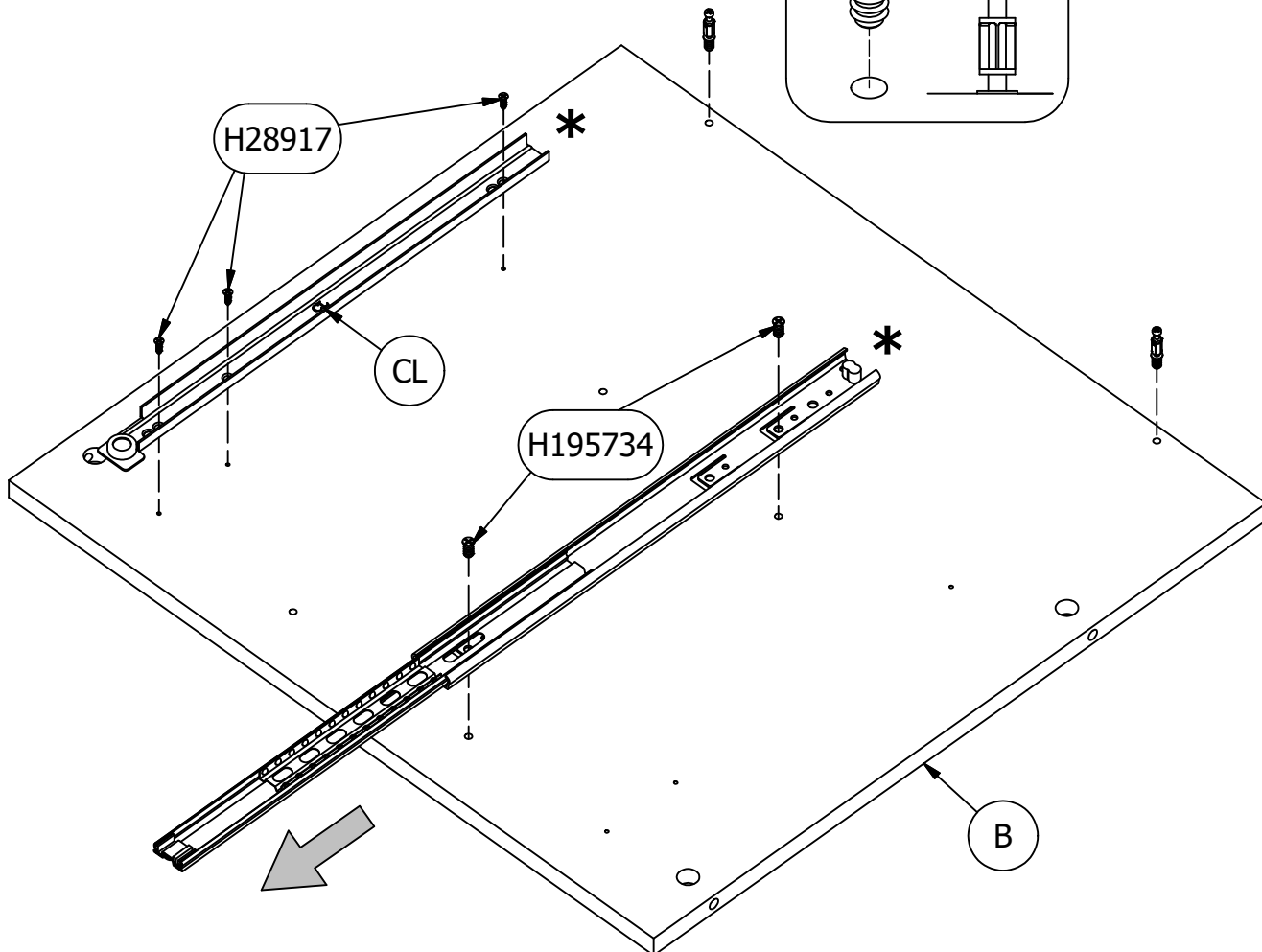
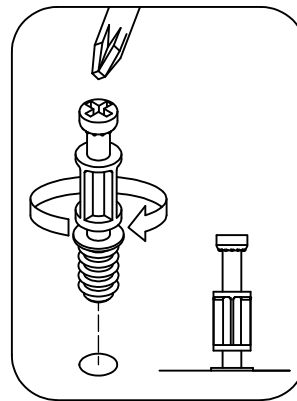
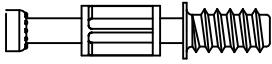
H28917 (Silver) #6 x 1/2" [3]



H195734 M6.3 X 13MM [2] Q89897



H72988 [2] KD Bolt



Have an assembly question or need a replacement part? Just call **1-800-950-4782**, we are here to help.

STEP 11

Prepare Panel

A186386H

Scan QR Code to Watch Video on:



How to Separate and Install Drawer Slides

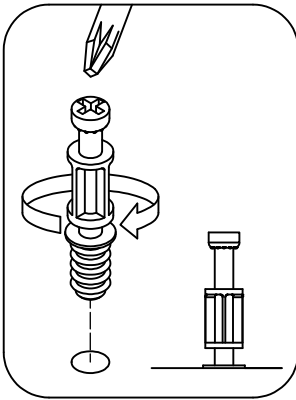
H28917 (Silver) #6 x 1/2" [3]

H195734 M6.3 X 13MM [2]

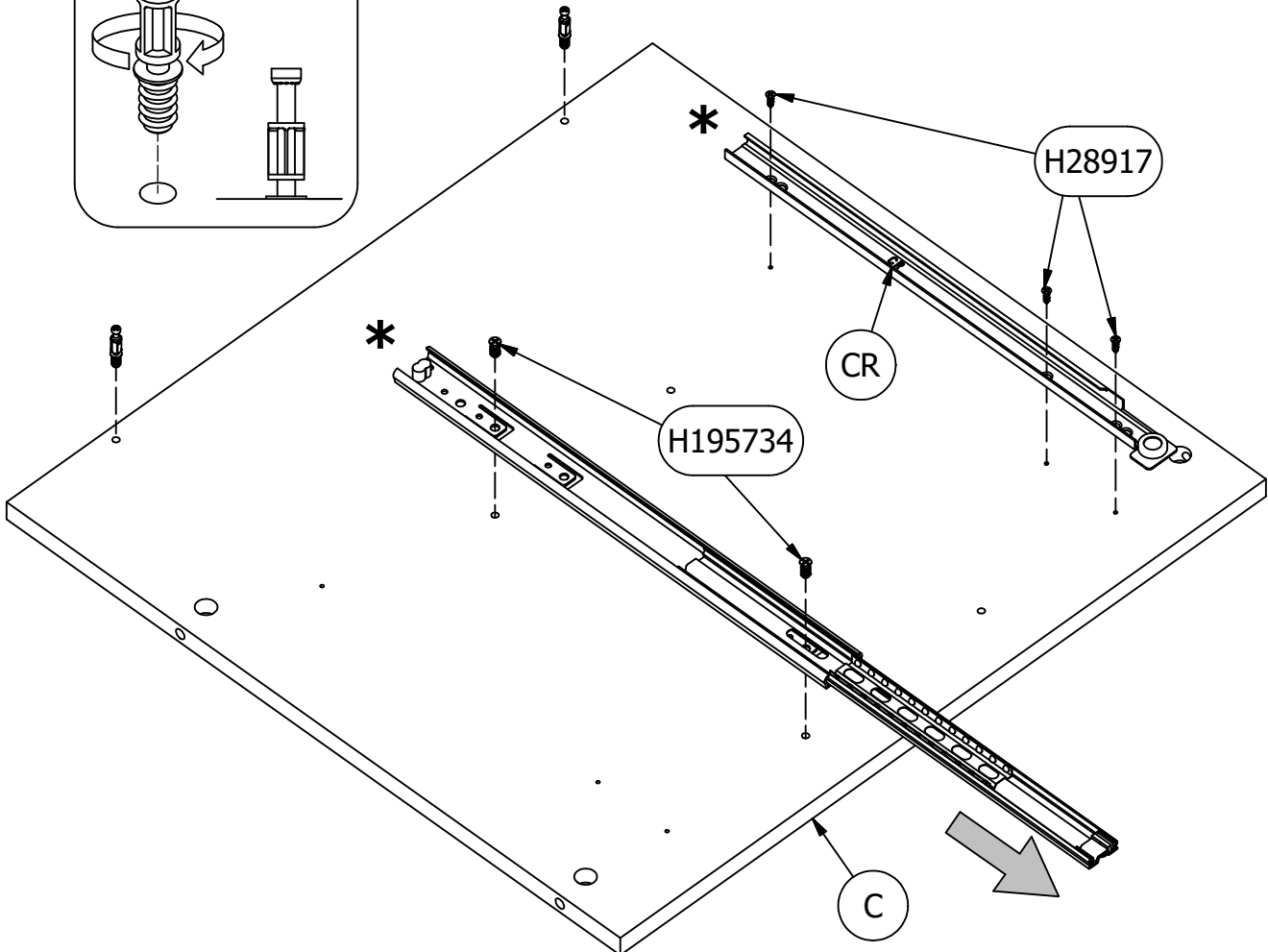
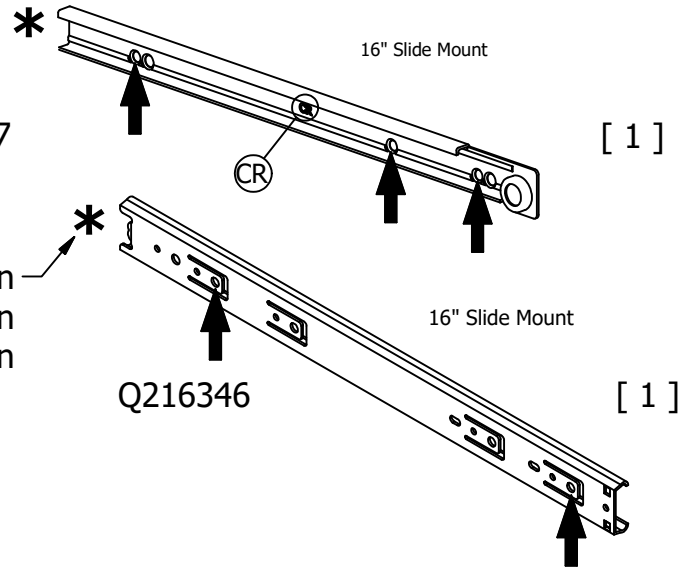
Q89897

Q216346

H72988 [2]
KD Bolt



Orientation
Orientación
L'orientation



Have an assembly question or need a replacement part? Just call **1-800-950-4782**, we are here to help.

STEP 12

Assemble Panels

A186386H

Scan QR Code to Watch Video on:



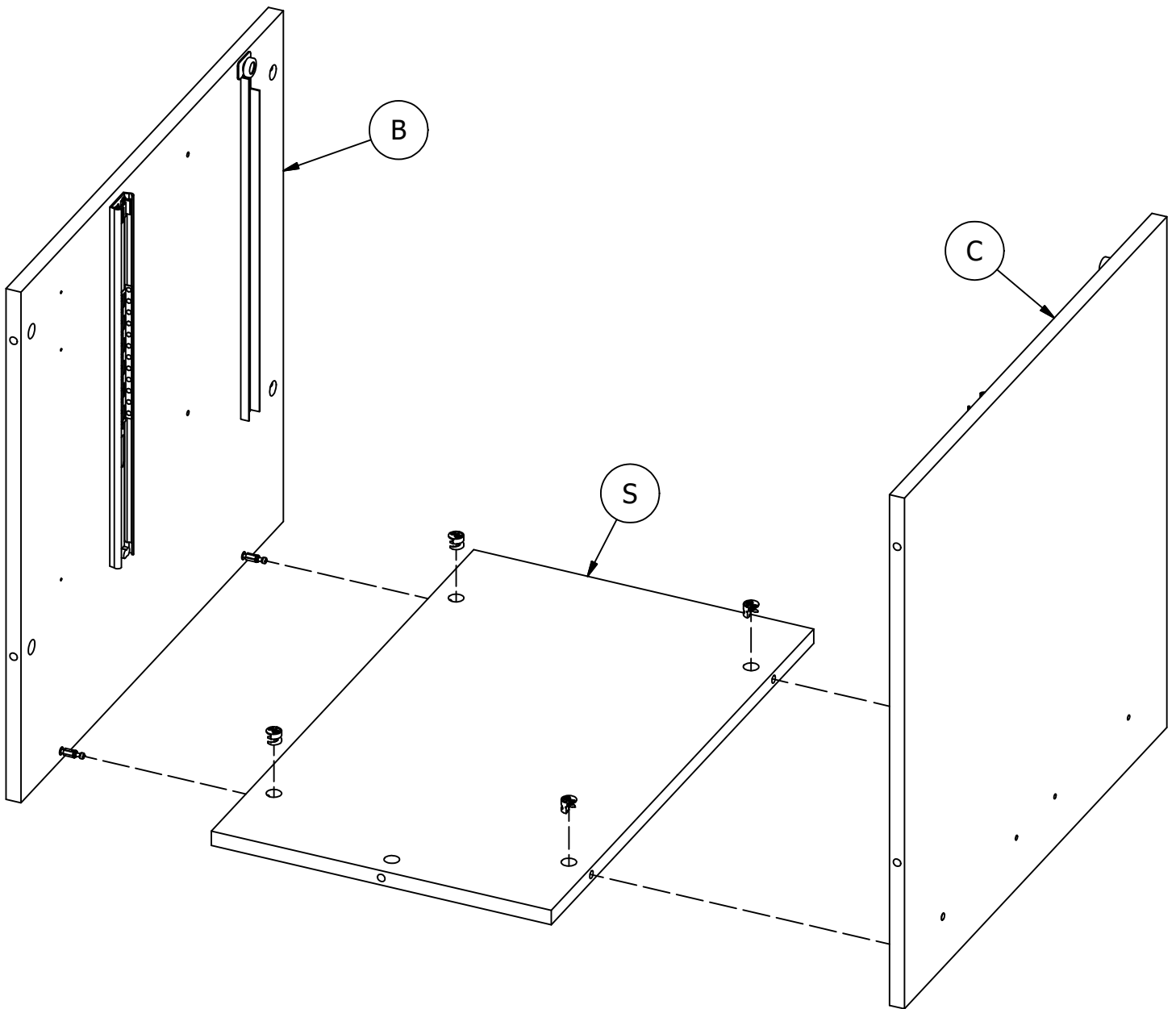
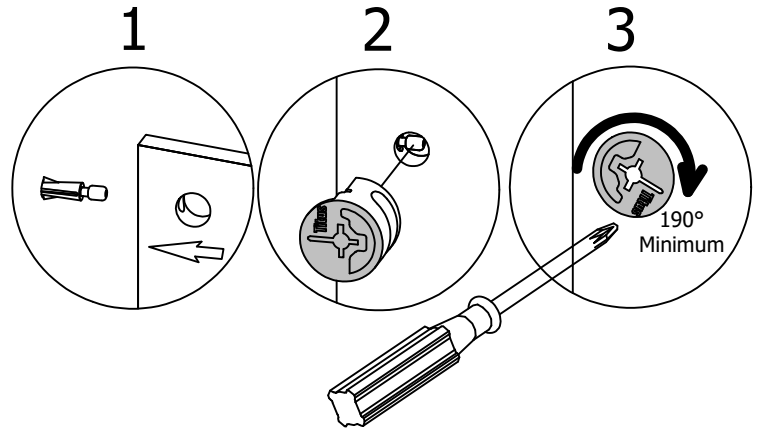
How to Tighten KD Cams

H181468US



KD Cam3000

[4]

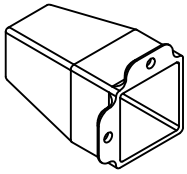


Have an assembly question or need a replacement part? Just call **1-800-950-4782**, we are here to help.

STEP 13

Prepare Panel

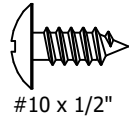
A186386H



Foot

[4]

H35251



[8]

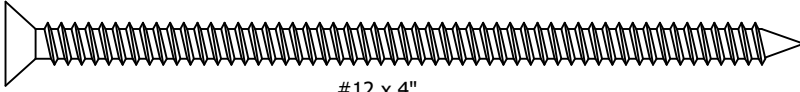
H72988



KD Bolt

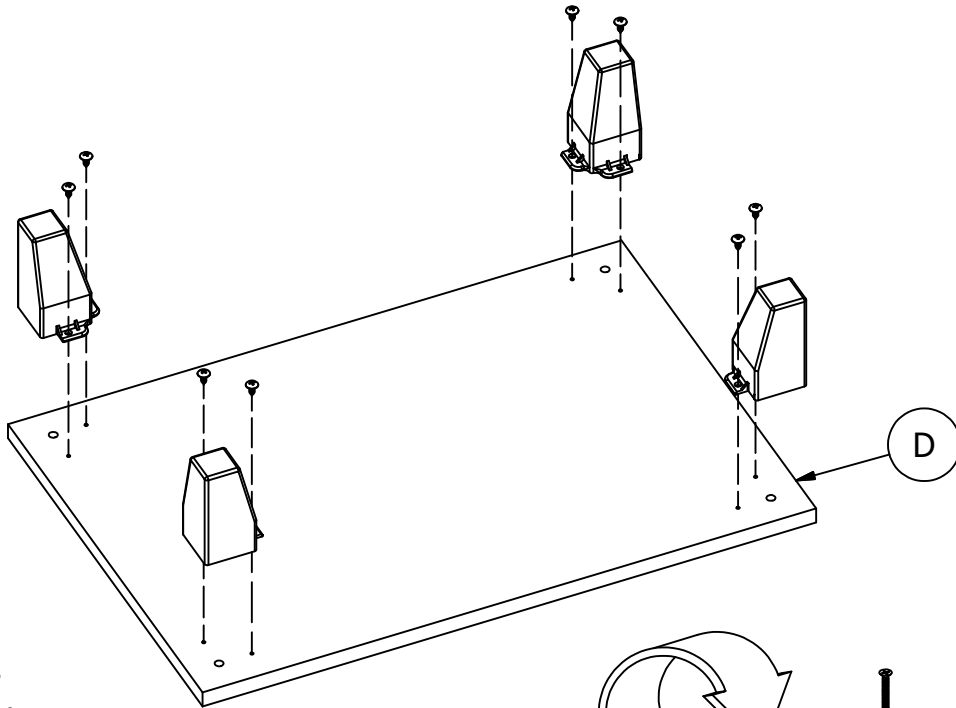
[5]

H143460

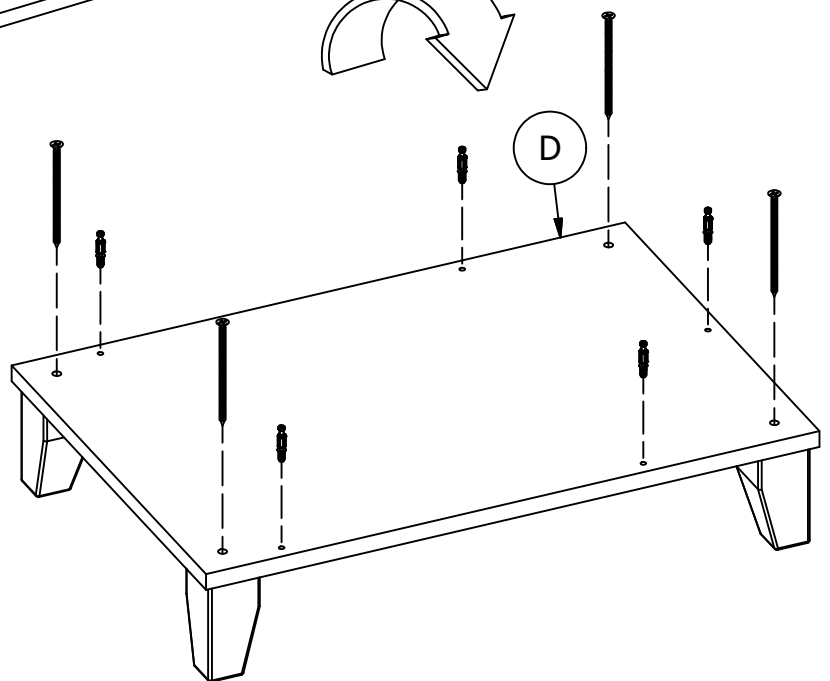
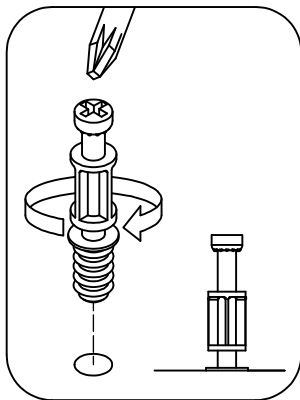


#12 x 4"

[4]



Flip panel over
Voltear el panel
Retournez le panneau



Have an assembly question or need a replacement part? Just call
1-800-950-4782, we are here to help.

STEP 14

Prepare Panel

A186386H

Scan QR Code to Watch Video on:

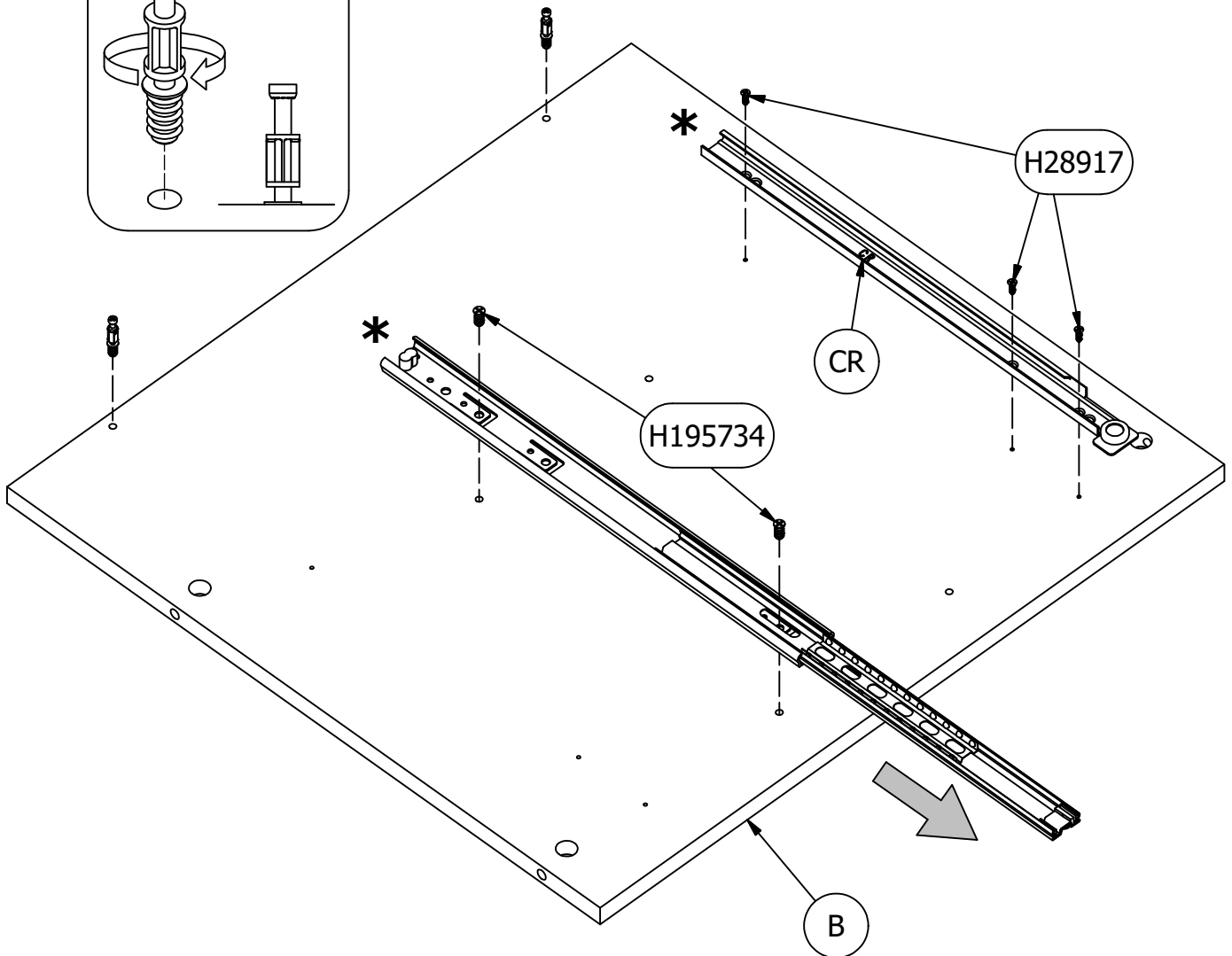
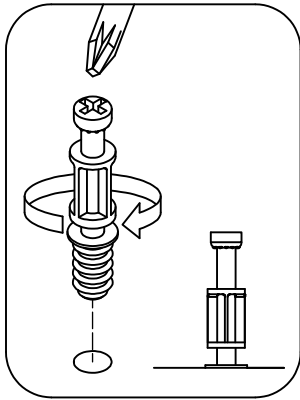
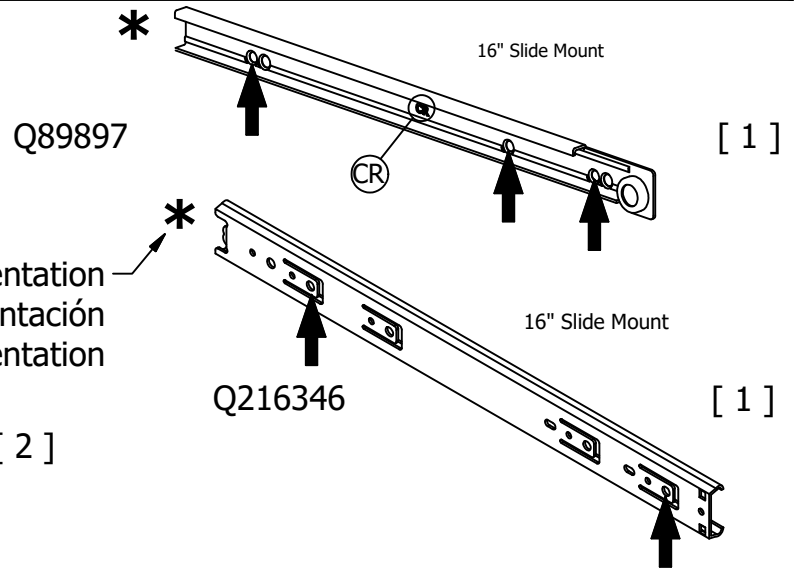


How to Separate and Install Drawer Slides

H28917 (Silver) #6 x 1/2" [3]

H195734 M6.3 X 13MM [2]

H72988 KD Bolt [2]



Have an assembly question or need a replacement part? Just call **1-800-950-4782**, we are here to help.

STEP 15

Prepare Panel

A186386H

Scan QR Code to Watch Video on:

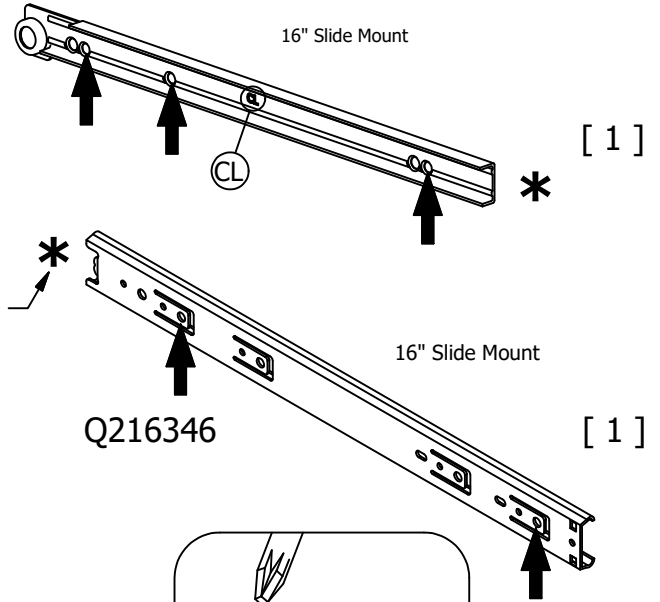


How to Separate and Install Drawer Slides

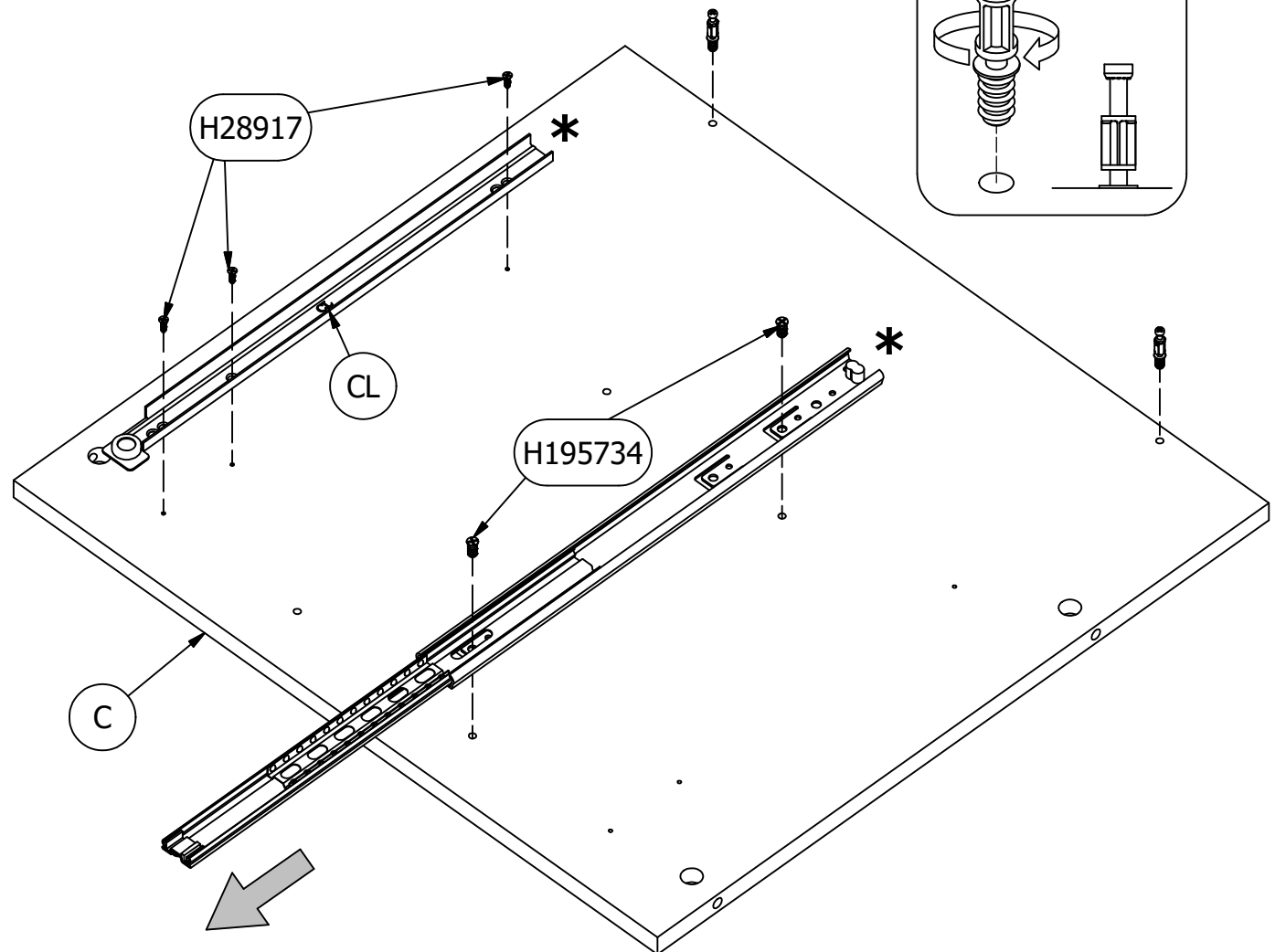
H28917 (Silver) #6 x 1/2" [3]

H195734 M6.3 X 13MM [2] Q89897

H72988 KD Bolt [2]



Orientation
Orientación
L'orientation



Have an assembly question or need a replacement part? Just call **1-800-950-4782**, we are here to help.

STEP 16

Assemble Panels

A186386H

Scan QR Code to Watch Video on:

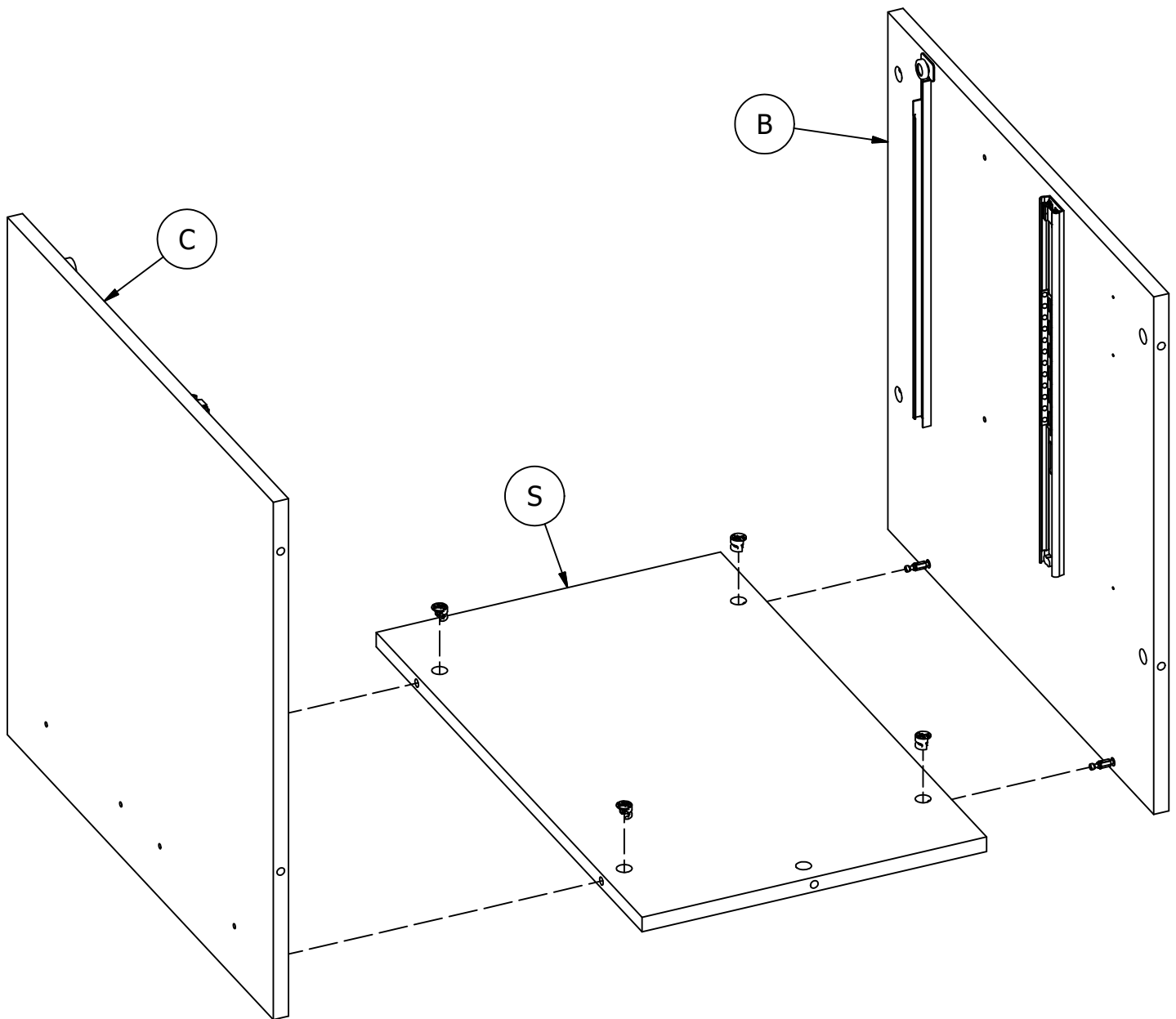
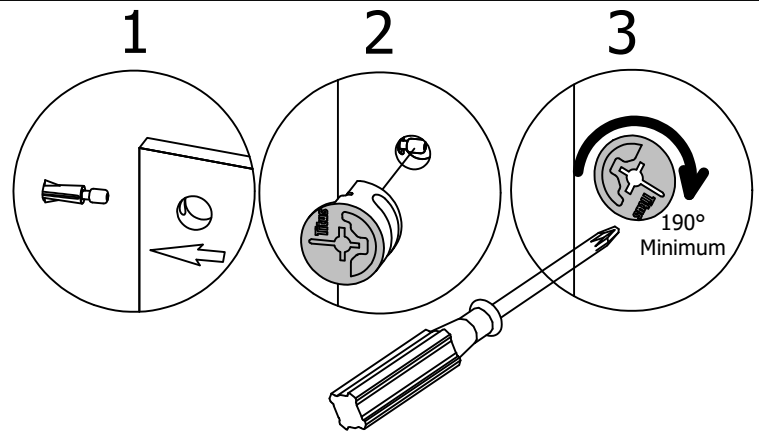


How to Tighten KD Cams

H181468US



[4]

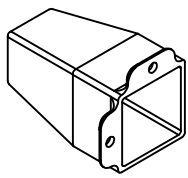


Have an assembly question or need a replacement part? Just call **1-800-950-4782**, we are here to help.

STEP 17

Prepare Panel

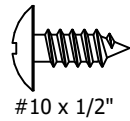
A186386H



[4]

Foot

H35251



[8]

#10 x 1/2"

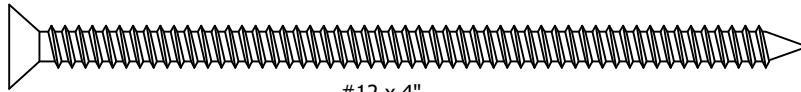
H72988



[5]

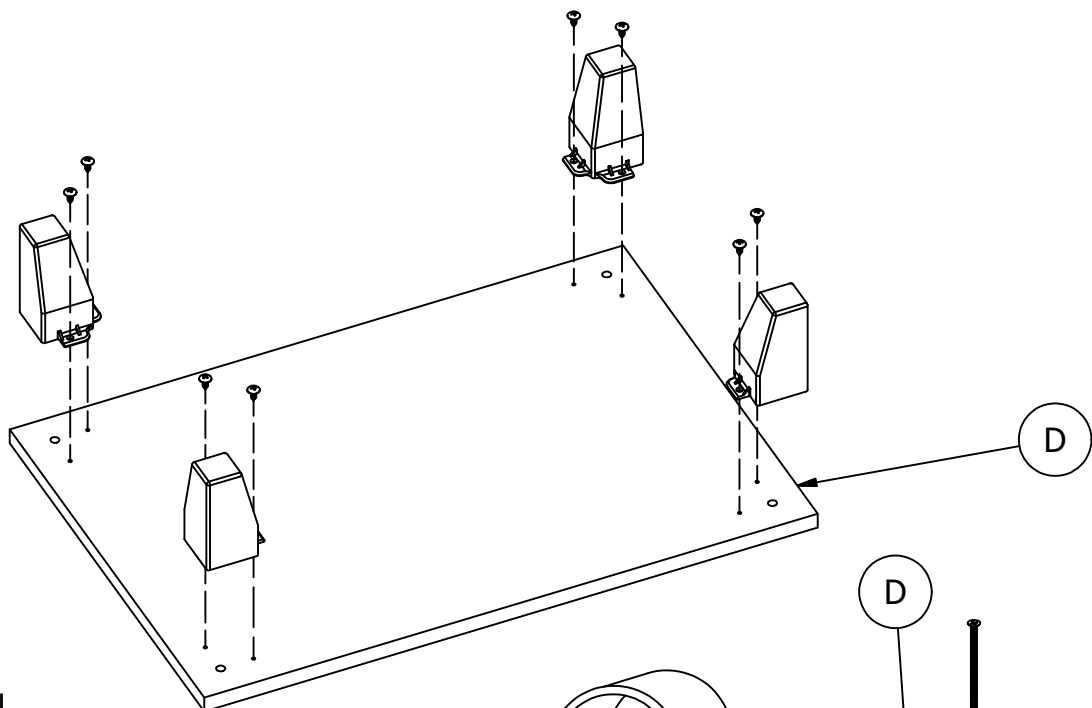
KD Bolt

H143460

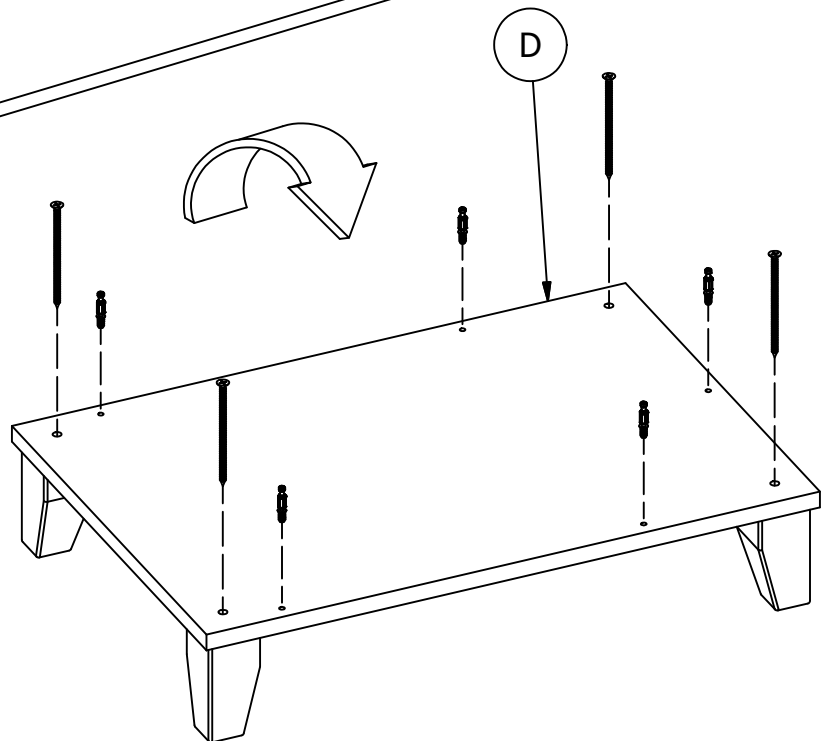
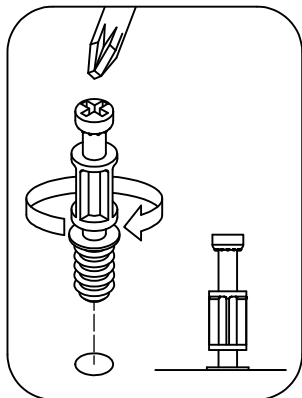


[4]

#12 x 4"



Flip panel over
Voltear el panel
Retournez le panneau



Have an assembly question or need a replacement part? Just call
1-800-950-4782, we are here to help.

STEP 18

Assemble Panels

A186386H

Scan QR Code to Watch Video on:

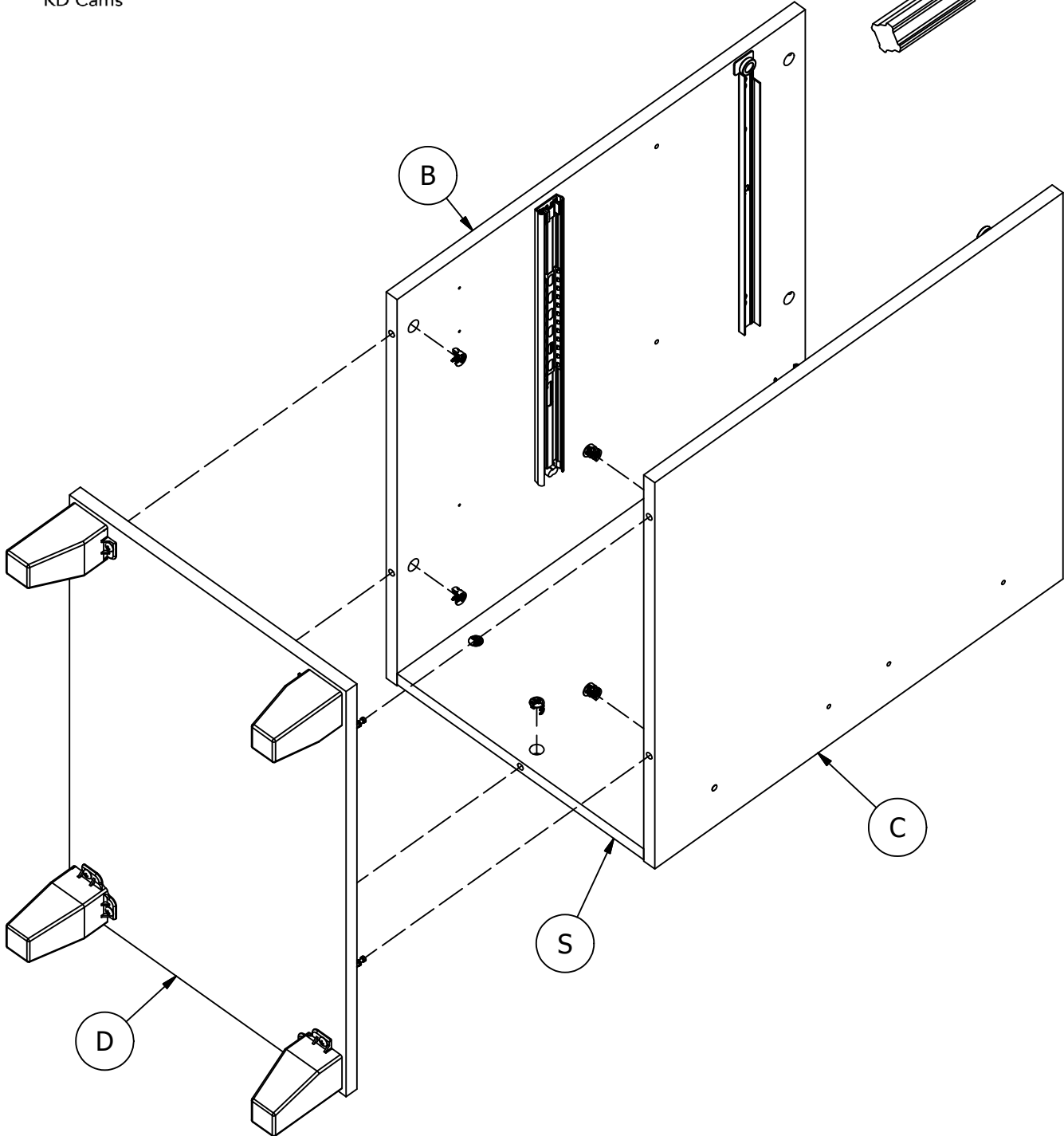
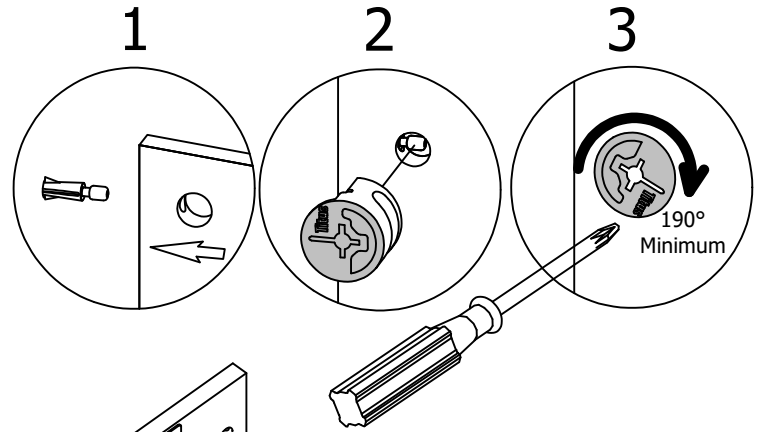


How to Tighten KD Cams

H181468US



[5]



Have an assembly question or need a replacement part? Just call **1-800-950-4782**, we are here to help.

STEP 19

Assemble Panels

A186386H

Scan QR Code to Watch Video on:

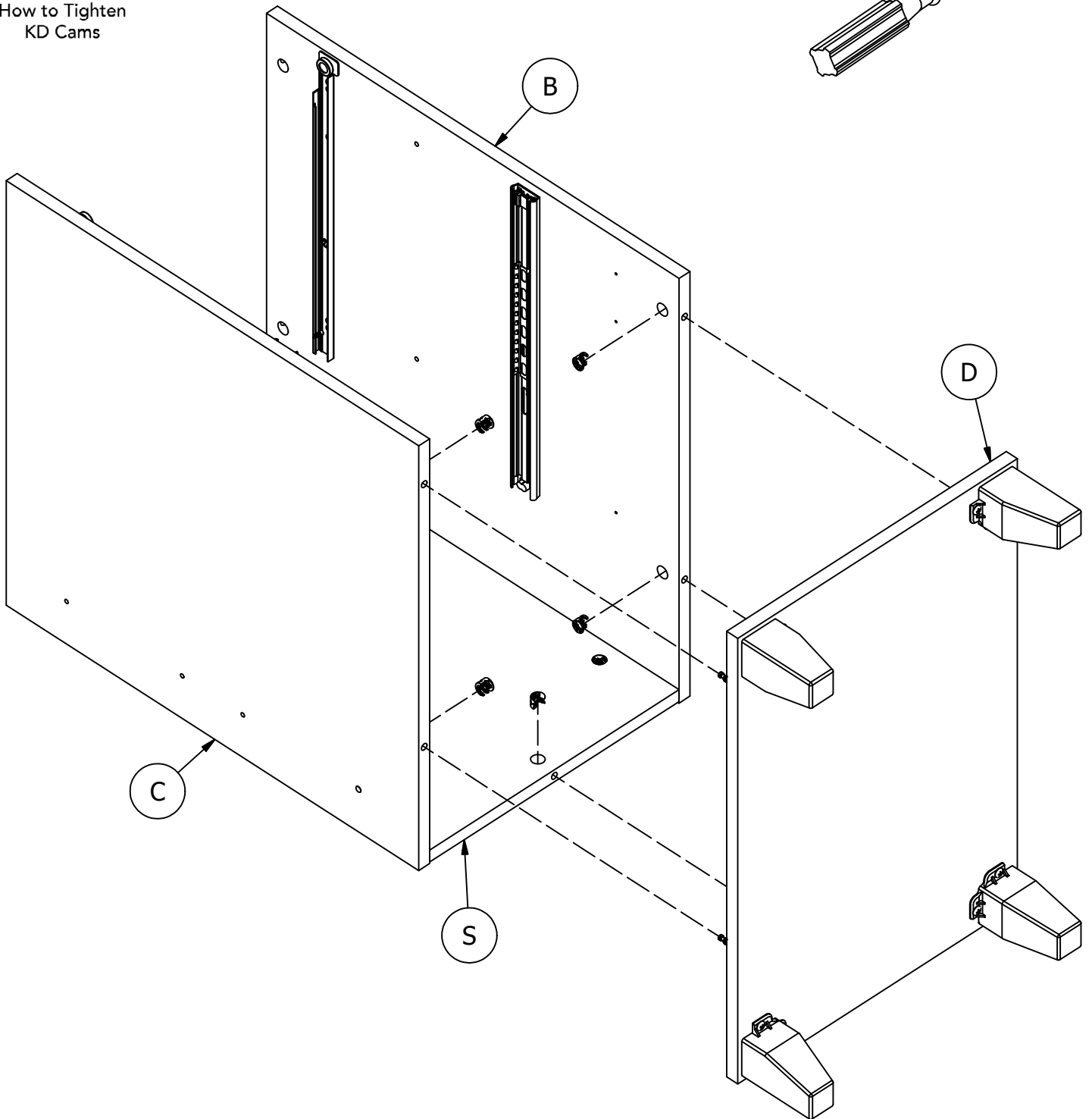
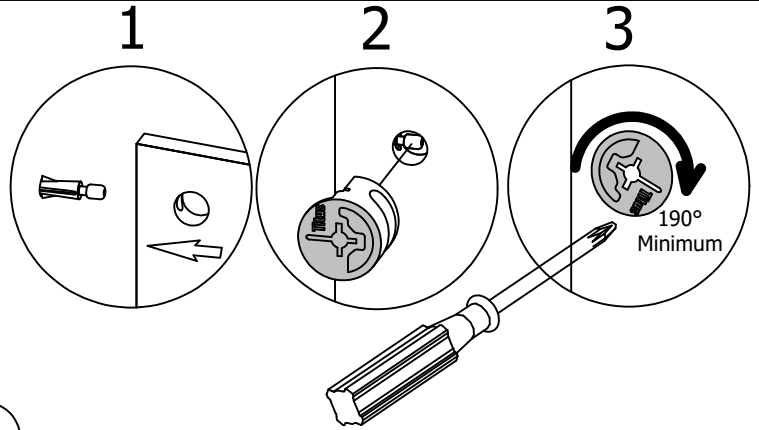


How to Tighten KD Cams

H181468US



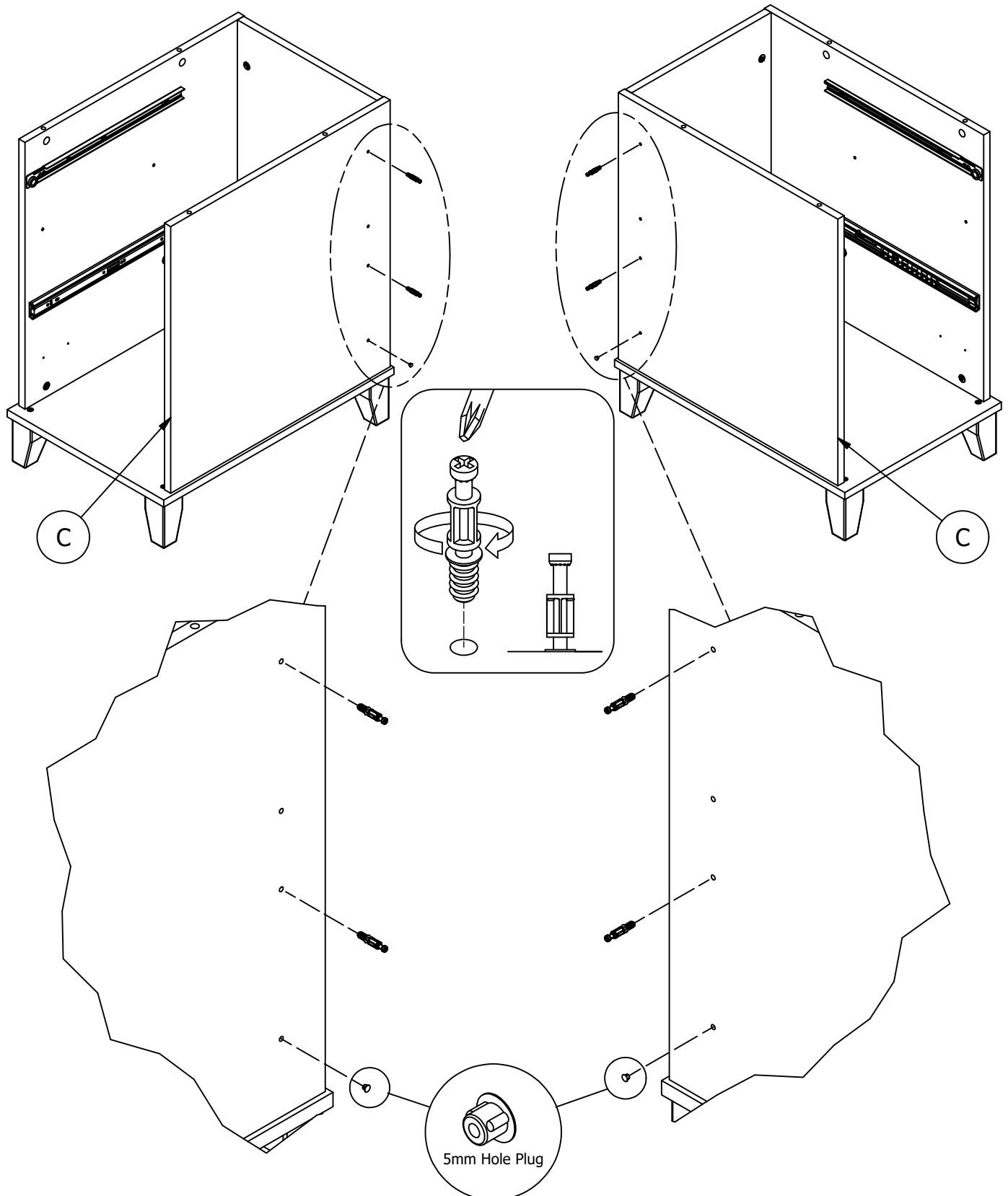
[5]



Have an assembly question or need a replacement part? Just call **1-800-950-4782**, we are here to help.

H72988 [4]
KD Bolt

[2]
5mm Hole Plug



Have an assembly question or need a replacement part? Just call
1-800-950-4782, we are here to help.

STEP 21

Assemble Panels

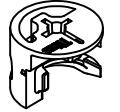
A186386H

Scan QR Code to Watch Video on:



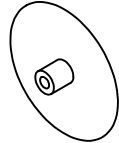
How to Tighten KD Cams

H181468US



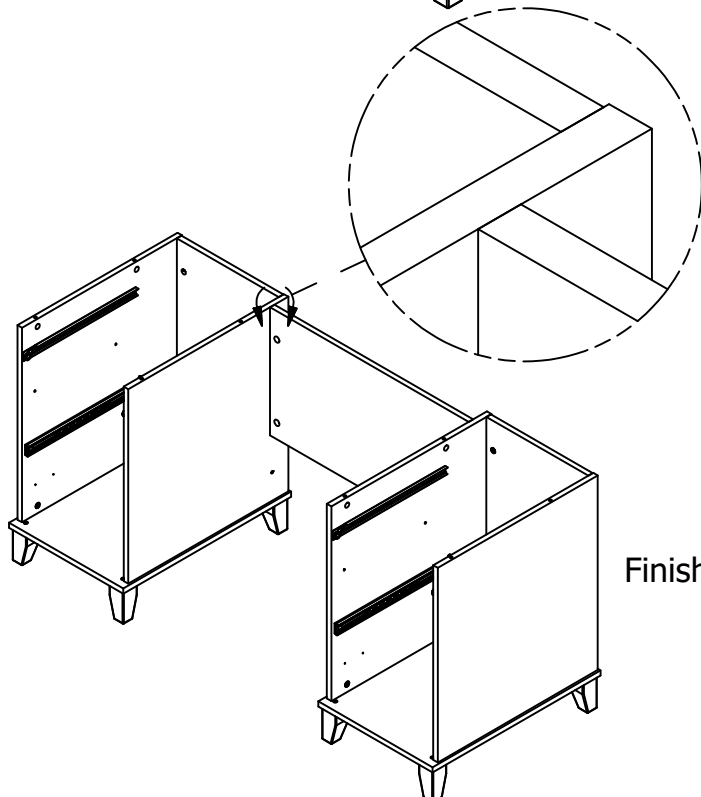
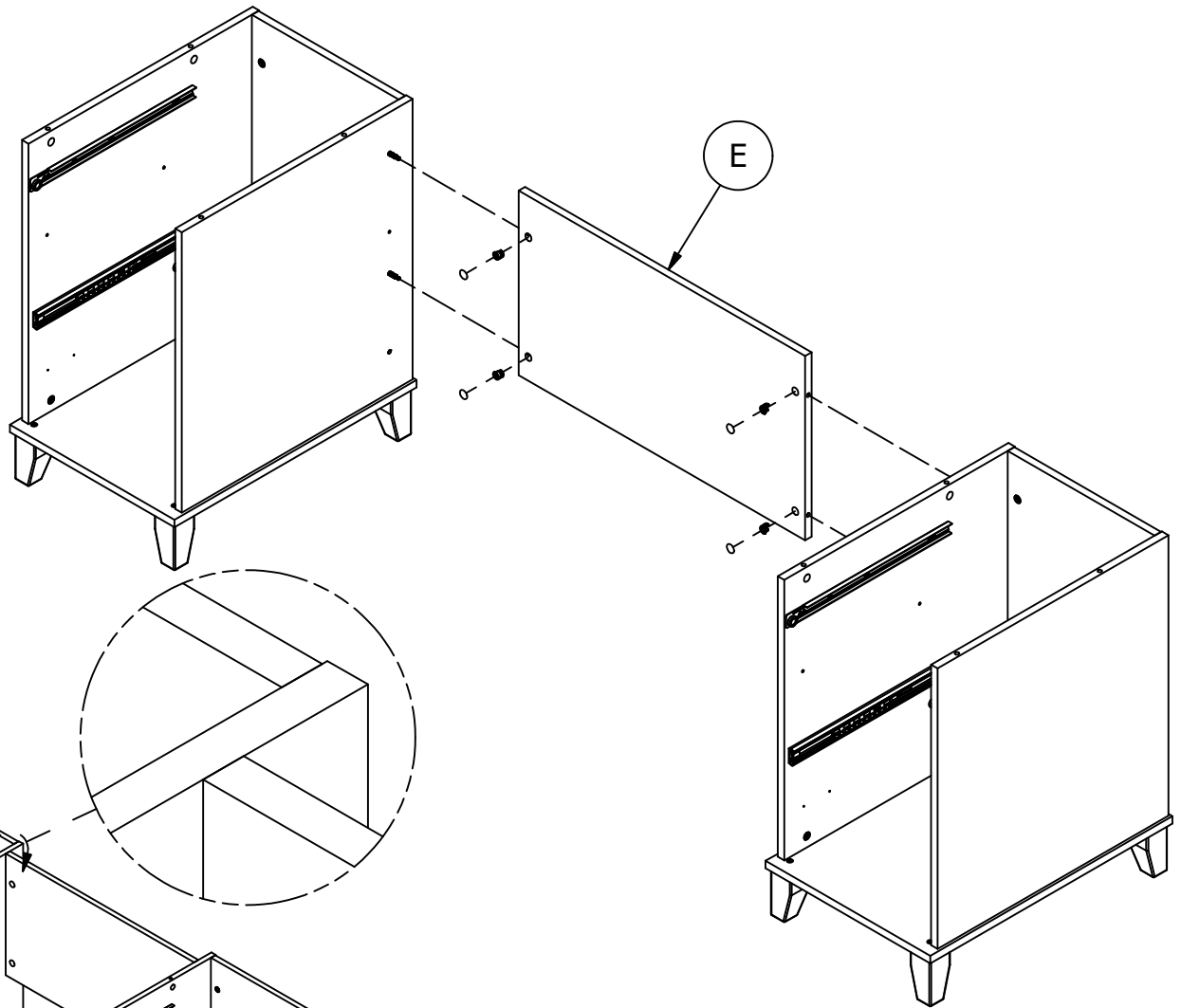
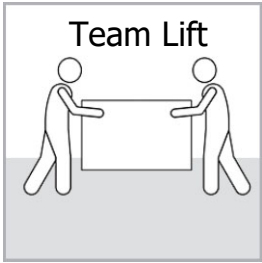
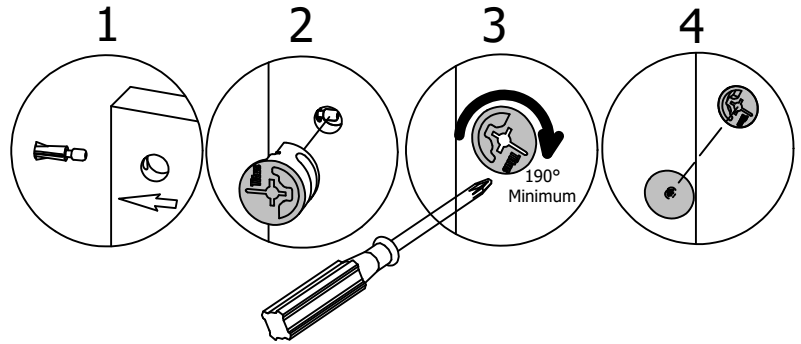
KD Cam3000

[4]



Cover Cap

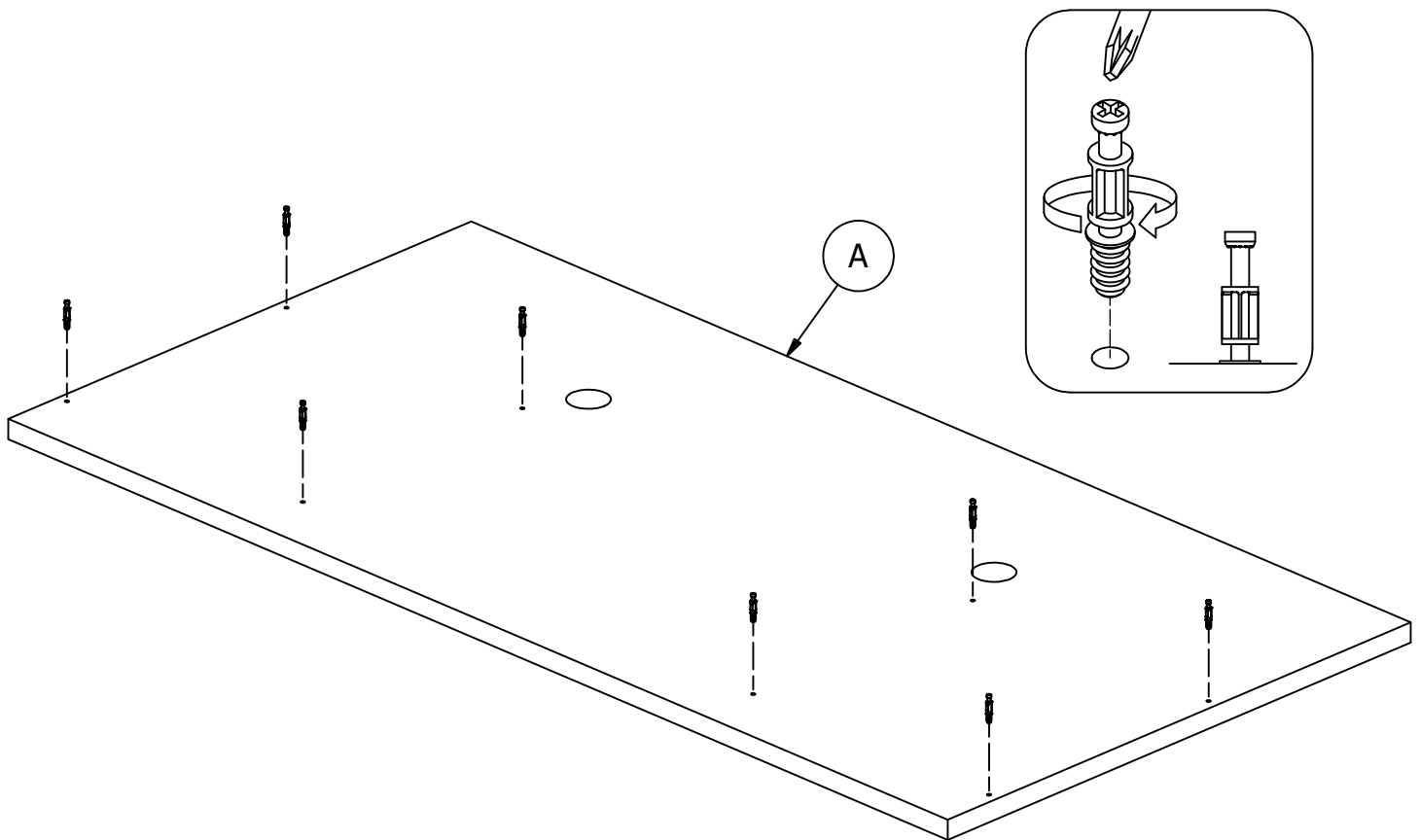
[4]



Finished view

Have an assembly question or need a replacement part? Just call **1-800-950-4782**, we are here to help.

H72988 [8]
KD Bolt



Have an assembly question or need a replacement part? Just call
1-800-950-4782, we are here to help.

STEP 23

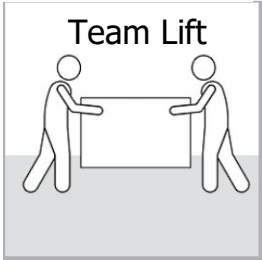
Assemble Panels

A186386H

Scan QR Code to Watch Video on:



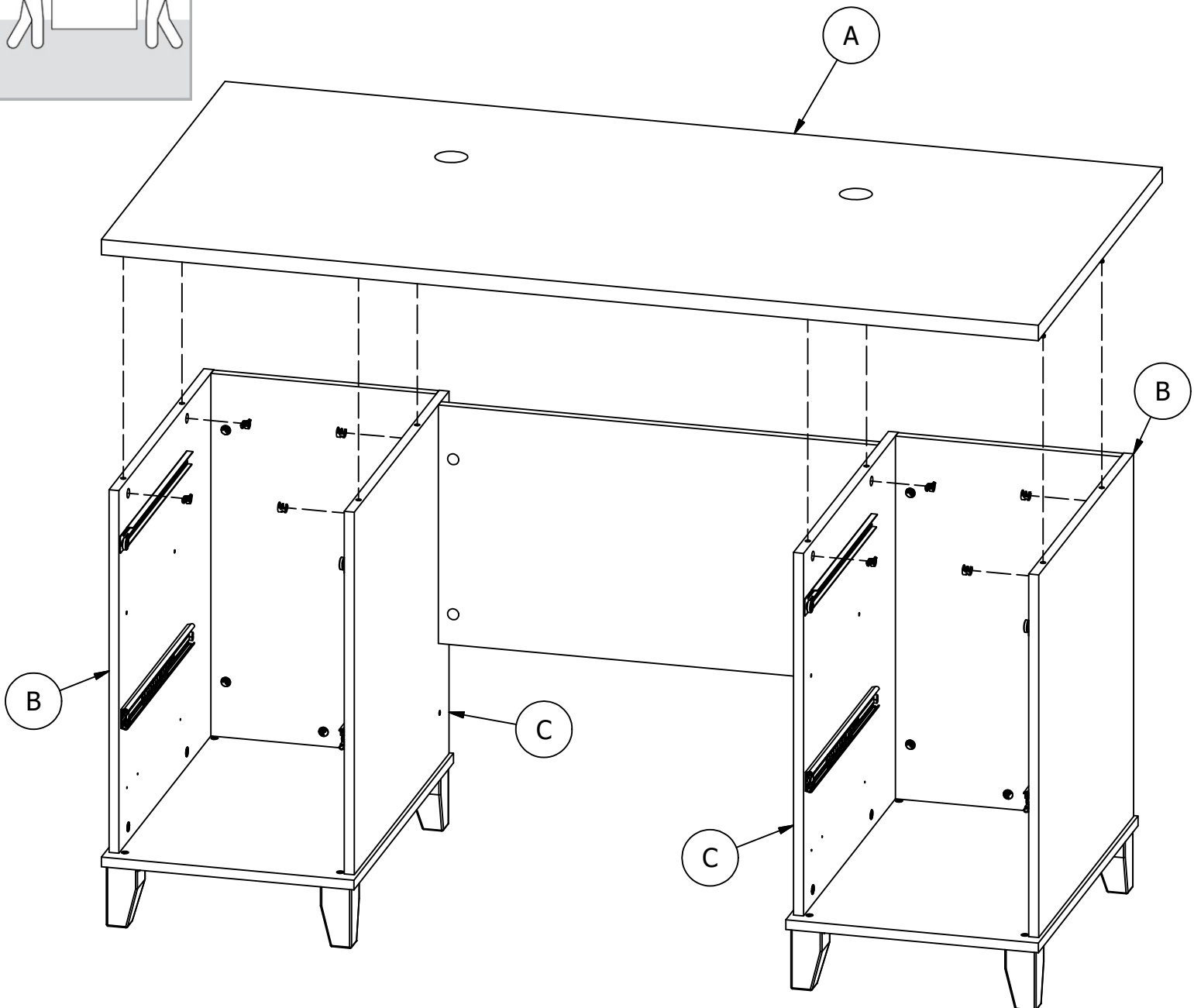
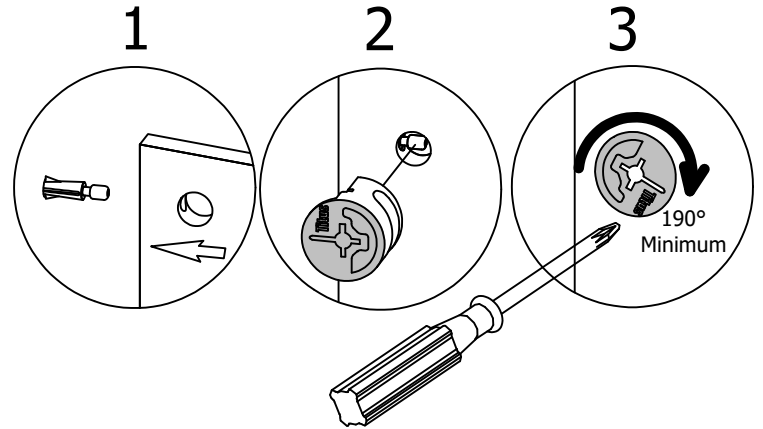
How to Tighten KD Cams



H181468US



[8]



Have an assembly question or need a replacement part? Just call **1-800-950-4782**, we are here to help.

STEP 24

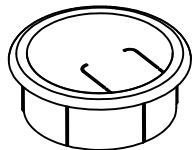
Insert Components and Hardware

A186386H

Scan QR Code to Watch Video on:

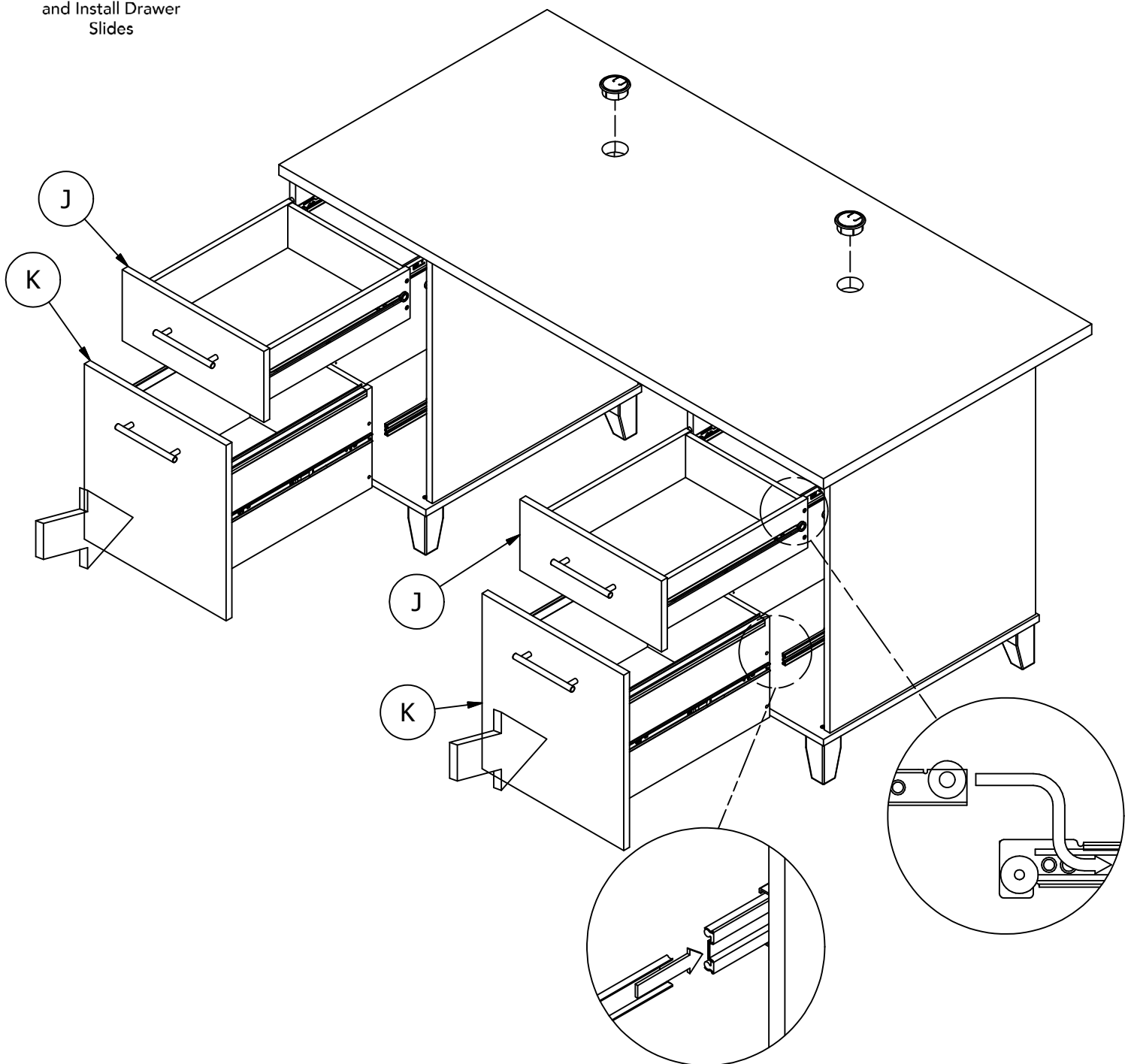


How to Separate and Install Drawer Slides



[2]

Grommet



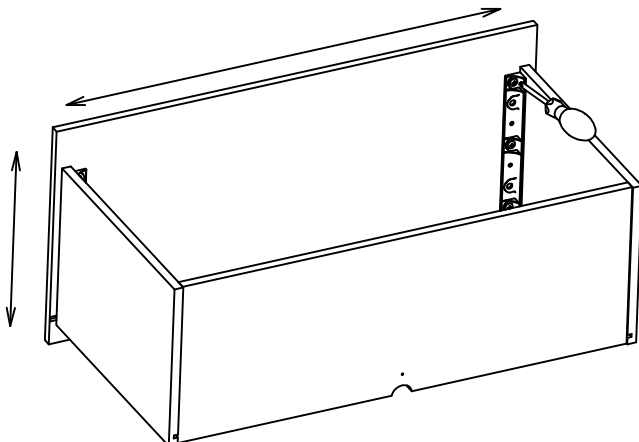
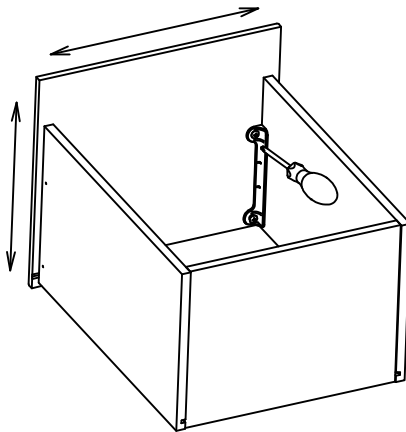
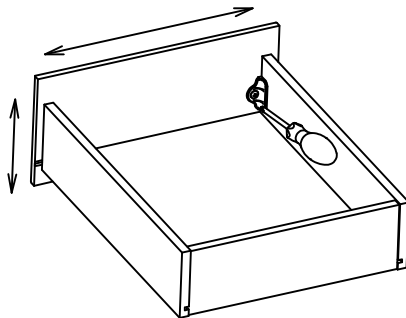
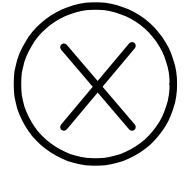
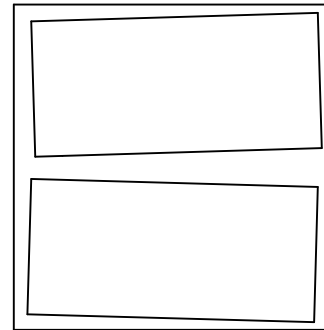
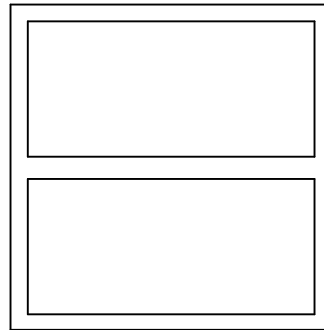
Have an assembly question or need a replacement part? Just call **1-800-950-4782**, we are here to help.

Scan QR Code to Watch Video on:



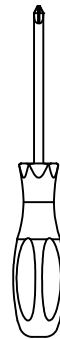
How to Adjust Drawer Fronts

DRAWER FRONT VIEW



REQUIRED TOOL: PHILLIPS SCREWDRIVER

HERRAMIENTA REQUERIDA: DESTORNILLADOR PHILLIPS
 OUTIL REQUIS: TOURNEVIS CRUCIFORME



1. LOOSEN SCREWS.
2. ADJUST DRAWER FRONTS.
3. TIGHTEN SCREWS.

1. Afloje los tornillos
2. Ajustar frentes de cajón
3. Apriete los tornillos

1. Desserrer les vis
2. Ajuster les façades des tiroirs
3. Serrer les vis

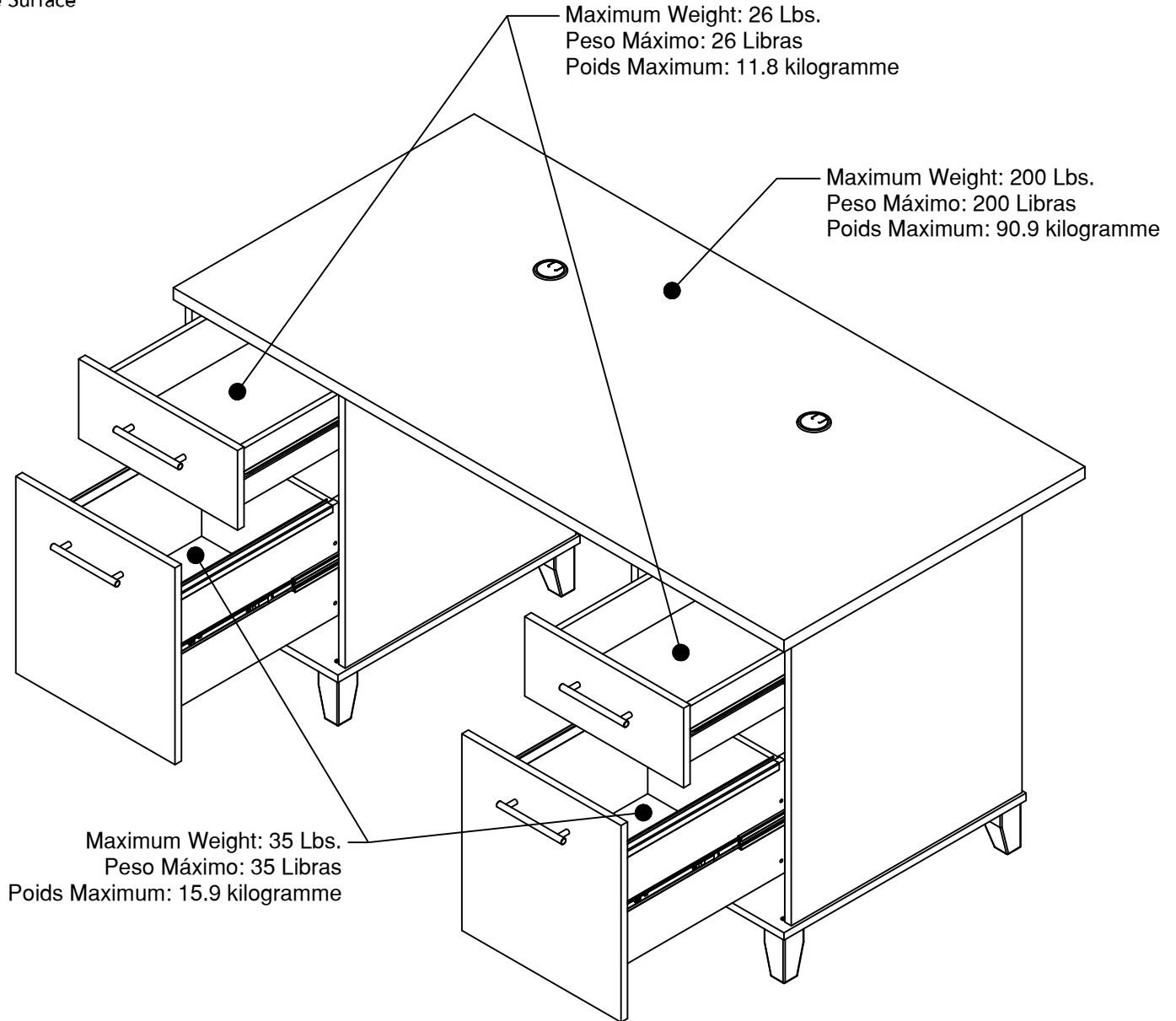
Have an assembly question or need a replacement part? Just call
1-800-950-4782, we are here to help.

Scan QR Code to Watch Video on:



How to Clean the Surface

Gently clean surfaces with a damp sponge eraser.



Maximum Weight: 26 Lbs.
Peso Máximo: 26 Libras
Poids Maximum: 11.8 kilogramme

Maximum Weight: 200 Lbs.
Peso Máximo: 200 Libras
Poids Maximum: 90.9 kilogramme

Maximum Weight: 35 Lbs.
Peso Máximo: 35 Libras
Poids Maximum: 15.9 kilogramme

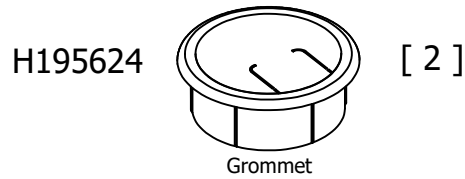
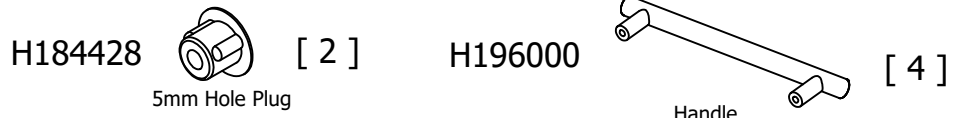
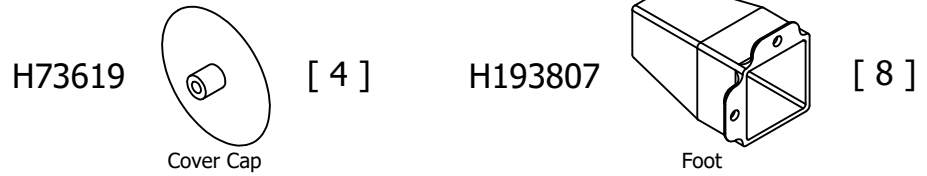
Congratulations! You are all done. If you have any questions or concerns, please call.

Have an assembly question or need a replacement part? Just call **1-800-950-4782**, we are here to help.

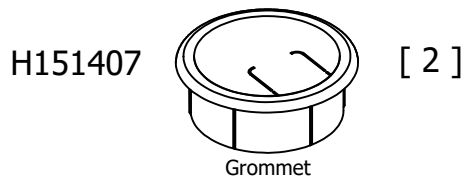
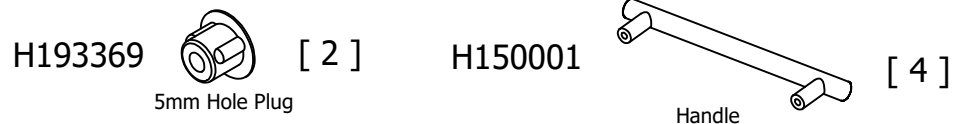
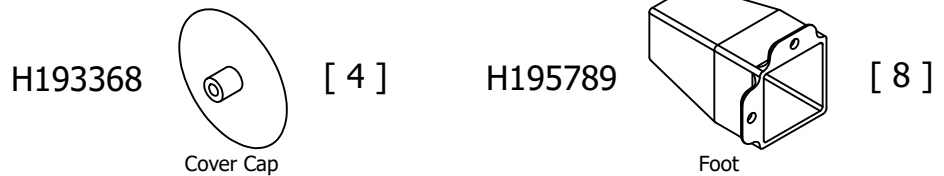
PARTS LIST

A186386H

WC81028C		
LABEL	QTY.	NUMBER
A	1	W200551
B	2	W218970
C	2	W218971
D	2	W196080
E	1	W196081
F	2	W218468
G	4	W215261
H	2	W192433
J	2	W218511
K	2	W218512
L	4	W87410
M	4	W106489
S	2	W193878



WC81128C		
LABEL	QTY.	NUMBER
A	1	W200489
B	2	W218972
C	2	W218973
D	2	W200492
E	1	W200493
F	2	W218468
G	4	W215261
H	2	W192433
J	2	W218513
K	2	W218514
L	4	W87410
M	4	W106489
S	2	W200494

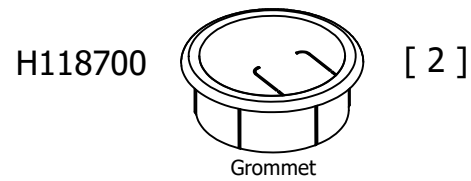
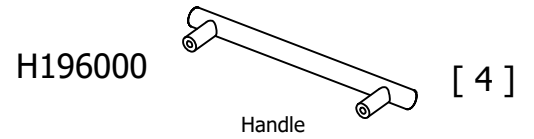
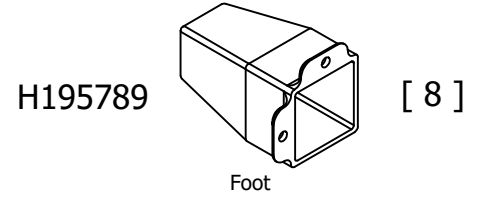
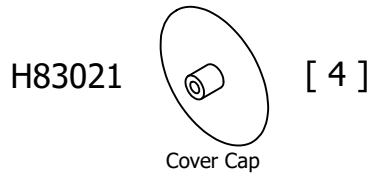


Have an assembly question or need a replacement part? Just call
1-800-950-4782, we are here to help.

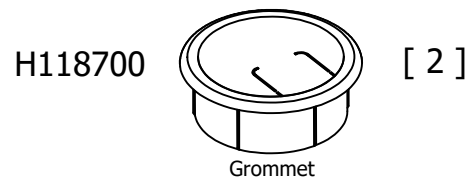
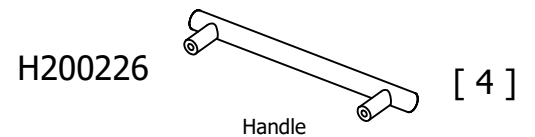
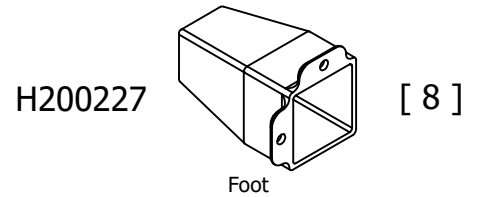
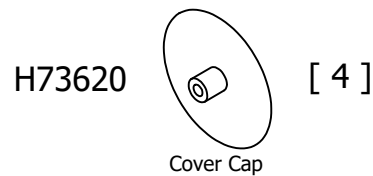
PARTS LIST

A186386H

WC81228C		
LABEL	QTY.	NUMBER
A	1	W195870
B	2	W218974
C	2	W218975
D	2	W195873
E	1	W195874
F	2	W218468
G	4	W215261
H	2	W192433
J	2	W218515
K	2	W218516
L	4	W87410
M	4	W106489
S	2	W195875



WC81328C		
LABEL	QTY.	NUMBER
A	1	W200395
B	2	W218976
C	2	W218977
D	2	W200398
E	1	W200399
F	2	W218468
G	4	W215261
H	2	W192433
J	2	W218517
K	2	W218518
L	4	W87410
M	4	W106489
S	2	W200400

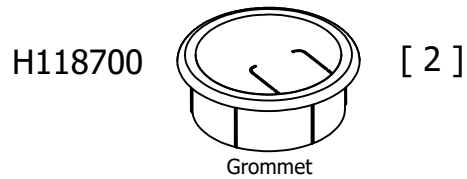
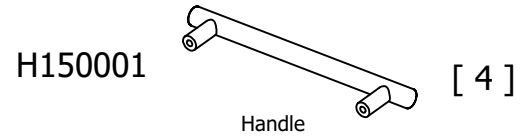
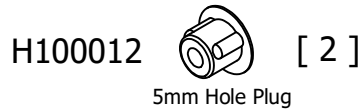
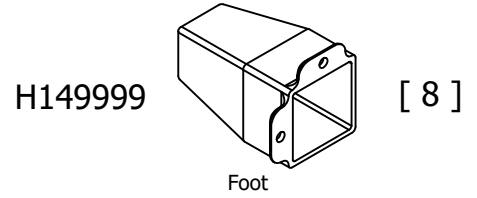
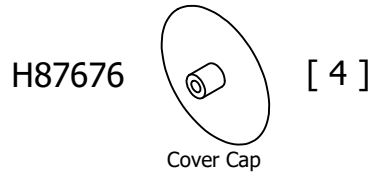


Have an assembly question or need a replacement part? Just call
1-800-950-4782, we are here to help.

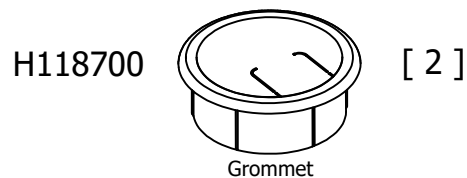
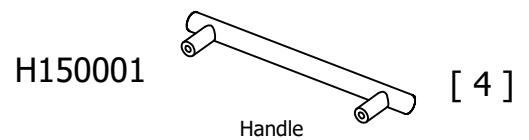
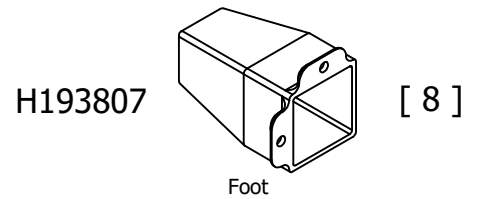
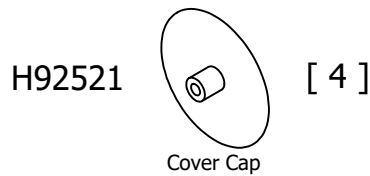
PARTS LIST

A186386H

WC81428D		
LABEL	QTY.	NUMBER
A	1	W187452
B	2	W218978
C	2	W218979
D	2	W187455
E	1	W187456
F	2	W218468
G	4	W215261
H	2	W192433
J	2	W218519
K	2	W218520
L	4	W87410
M	4	W106489
S	2	W187457



WC81528C		
LABEL	QTY.	NUMBER
A	1	W193873
B	2	W218980
C	2	W218981
D	2	W193876
E	1	W193877
F	2	W218468
G	4	W215261
H	2	W192433
J	2	W218511
K	2	W218512
L	4	W87410
M	4	W106489
S	2	W193878

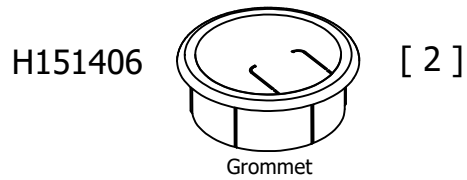
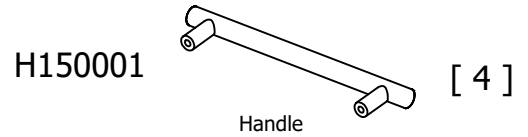
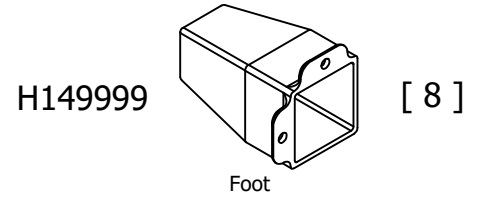


Have an assembly question or need a replacement part? Just call
1-800-950-4782, we are here to help.

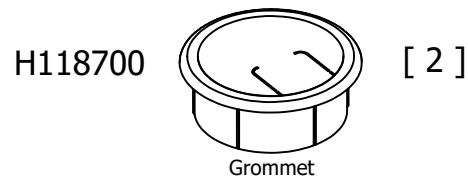
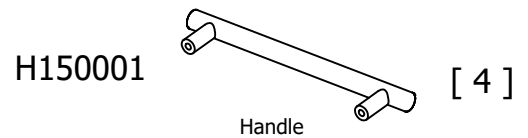
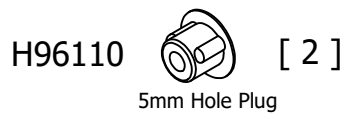
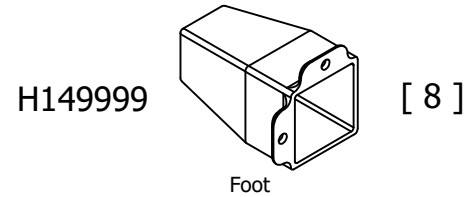
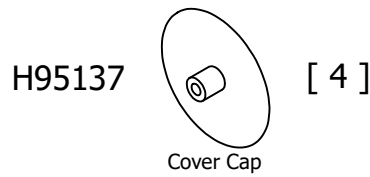
PARTS LIST

A186386H

WC81628C		
LABEL	QTY.	WC81628
A	1	W186381
B	2	W218982
C	2	W218983
D	2	W186384
E	1	W186385
F	2	W218468
G	4	W215261
H	2	W192433
J	2	W218523
K	2	W218524
L	4	W87410
M	4	W106489
S	2	W187470



WC81728D		
LABEL	QTY.	WC81728
A	1	W187458
B	2	W218984
C	2	W218985
D	2	W187461
E	1	W187462
F	2	W218468
G	4	W215261
H	2	W192433
J	2	W218525
K	2	W218526
L	4	W87410
M	4	W106489
S	2	W187463

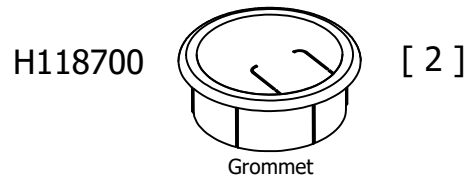
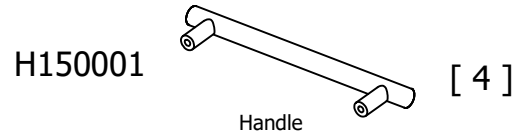
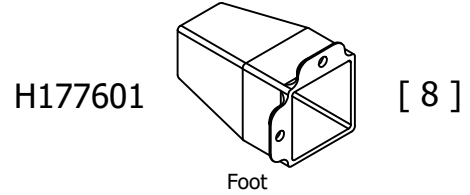
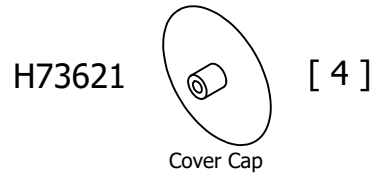


Have an assembly question or need a replacement part? Just call
1-800-950-4782, we are here to help.

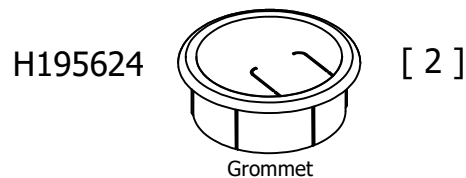
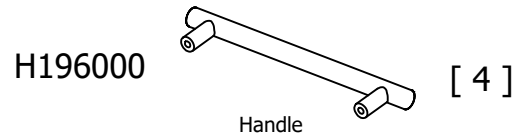
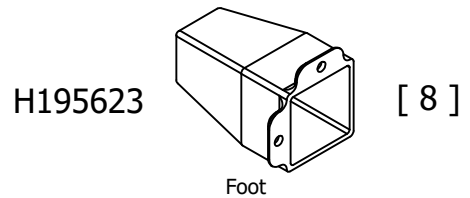
PARTS LIST

A186386H

WC81828D		
LABEL	QTY.	NUMBER
A	1	W187464
B	2	W218986
C	2	W218987
D	2	W187467
E	1	W187468
F	2	W218468
G	4	W215261
H	2	W192433
J	2	W218527
K	2	W218528
L	4	W87410
M	4	W106489
S	2	W187469



WC81928C		
LABEL	QTY.	NUMBER
A	1	W196077
B	2	W218970
C	2	W218971
D	2	W196080
E	1	W196081
F	2	W218468
G	4	W215261
H	2	W192433
J	2	W218529
K	2	W218530
L	4	W87410
M	4	W106489
S	2	W196082



Have an assembly question or need a replacement part? Just call
1-800-950-4782, we are here to help.