

**AXOR Montreux**  
**Single-Hole Faucet 100, 1.2 GPM**  
Finishes : **chrome**    Part no. : **16516001**



## Description

### Features

- Aerated spray
- Flow: 1.2 GPM (4.5 L/Min)
- Ceramic cartridge
- Does not include: Pop-up assembly

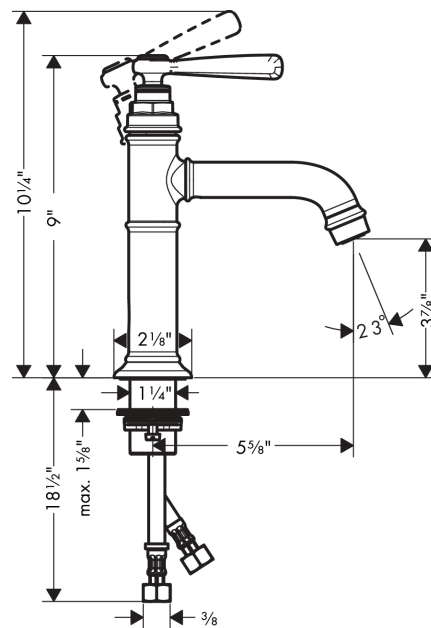
## Technology



## Product image



## Scale drawing

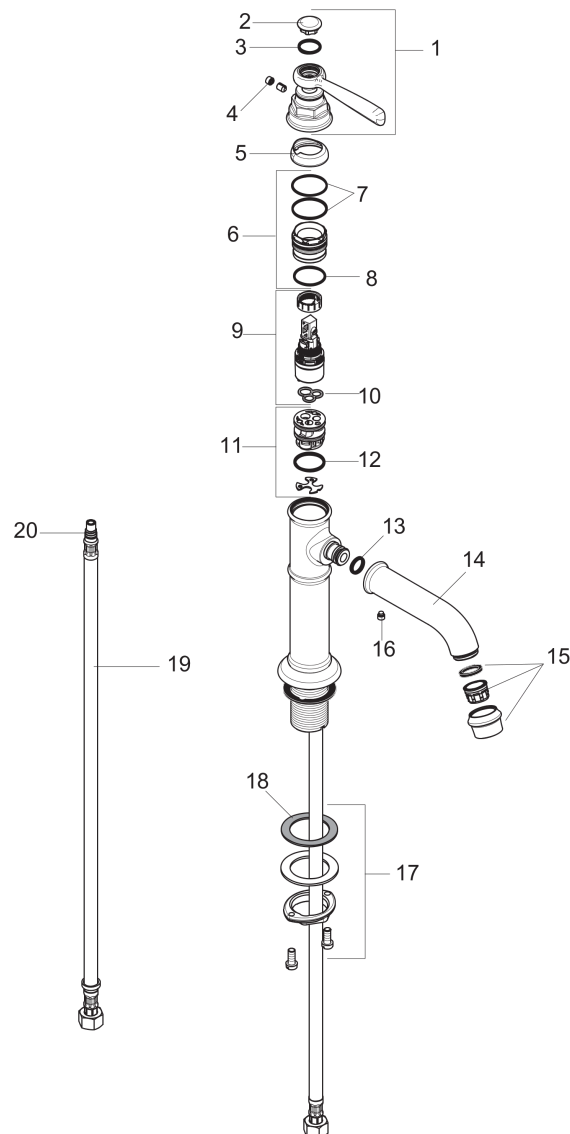


**AXOR Montreux**  
**Single-Hole Faucet 100, 1.2 GPM**  
Finishes : **chrome**    Part no. : **16516001**



## Exploded drawing

Year of production: >01/18



**AXOR Montreux**  
**Single-Hole Faucet 100, 1.2 GPM**  
 Finishes : **chrome**    Part no. : **16516001**



## Spare parts list

Year of production: >01/18

Pos.	Description	Part no.	PC	PU
1	handle	92973000	0	1
2	cover cap	92974000	0	1
3	O-ring 16x2	98133000	0	1
4	screw cover	96338000	0	1
5	flange	92625000	0	1
6	nut	92689000	0	1
7	O-ring 27x1,5	92527000	0	1
8	O-ring 25x1,5	98146000	0	1
9	cartridge, assy	95973001	0	1
10	seal	98865000	0	1
11	adapter for cartridge	98866000	0	1
12	O-ring 23x2	98398000	0	1
13	O-ring 11x2,5	98487000	0	1
14	spout cpl.	92978000	0	1
15	aerator M24x1 (4,5 l/min)	93254000	0	1
16	hollow set screw M6x5	98447000	0	1
17	fixing set (Ø 34)	95049000	0	1
18	lever collar	97548000	0	1
19	connection hose 23½" M8x0,75 3/8"	98600001	0	1
20	O-ring 7x1,5	98422000	0	1