

# ASSEMBLY INSTRUCTIONS

## EUROPA COLLECTION


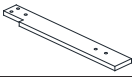
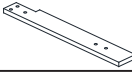



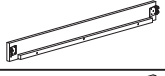
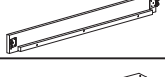
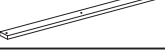
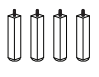
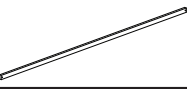


MODEL : B1840-315 EUROPA 5/0 Q HEADBOARD, FOOTBOARD, & SLATS  
B1840-335 EUROPA- 5/0-6/6 Q/EK SIDE RAILS


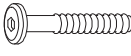
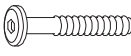
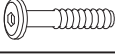





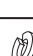

Thank you for purchasing this quality product. Be sure to check all packing materials carefully for small parts, which may have come loose inside the carton during shipment. Identify and count all items and compare with the parts list and/or hardware list shown below.

Please read all instructions carefully. See the hardware and furniture part listing for guidance. Be sure you have all parts listed before beginning assembly. Place all wooden parts on a clean, flat surface to protect the finish from scratches. Follow the diagram to assemble.

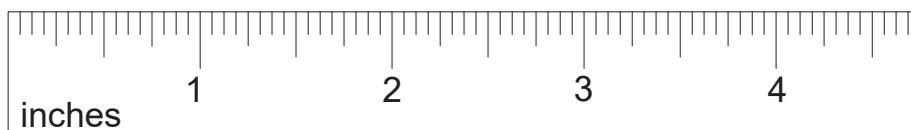
### CAUTION

1. Do not fully tighten the nuts or bolts until the table is fully assembled.
2. Please tighten by hand, not by a drill. Overtightening will damage threads. Do not overtighten.
3. Keep all hardware out of the reach of children.

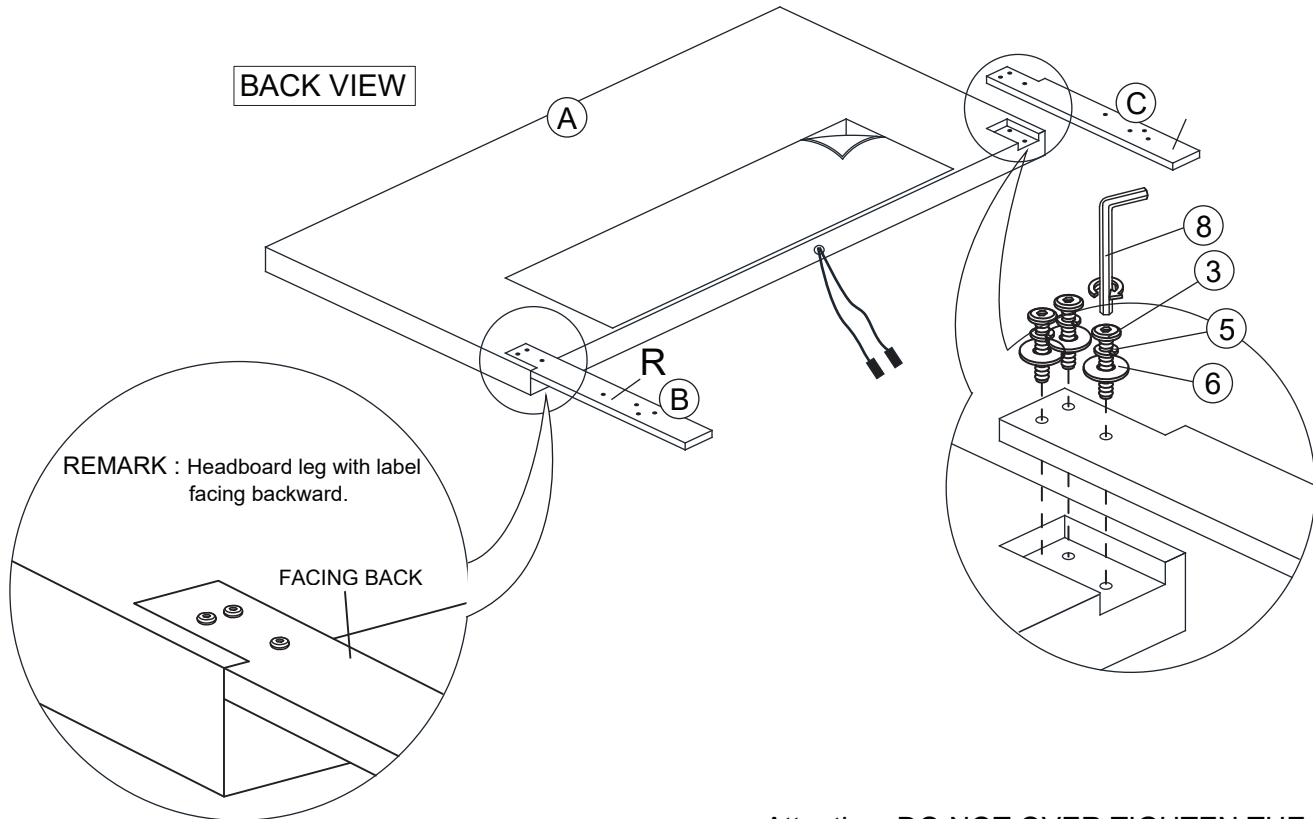
PARTS LIST			
ITEM	DESCRIPTION	SKETCH	QTY
A	HEADBOARD		1PC
B	HEADBOARD LEG (RSF)		1PC
C	HEADBOARD LEG (LSF)		1PC
D	FOOTBOARD		1PC
E	FOOTBOARD SUPPORT RAIL		2PCS
F	FOOTBOARD SUPPORT LEG		2PCS
G	SIDE RAIL with label (L)		1PC
H	SIDE RAIL with label (R)		1PC
I	SLAT		4PCS
J	SLAT SUPPORT LEG W/ADJUSTABLE FFET		4PCS
K	HEADBOARD SUPPORT RAIL		1PC
L	PLUG		1PC
M	WIRE		1PC

HARDWARE LIST			
ITEM	DESCRIPTION	SKETCH	QTY
1	BOLT M8 x 3/4"		8PCS
2	BOLT M8 x 2"		2PCS
3	BOLT M6 x 2"		14PCS
4	BOLT M6 x 1 3/8"		2PCS
5	SPRING WASHER - M6 x 1/2"		16PCS
6	FLAT WASHER - M6 x 3/4"		16PCS
7	CSK C/B SCREW - M4 x 1 1/4"		8PCS
8	ALLEN KEY M4		1PC
9	M5 ALLEN KEY M5		1PC
10	SPRING WASHER - M8 x 1/2"		2PCS
11	FLAT WASHER - M8 x 7/8"		2PCS

HARDWARE DIMENSIONS  
VERIFICATION TOOL

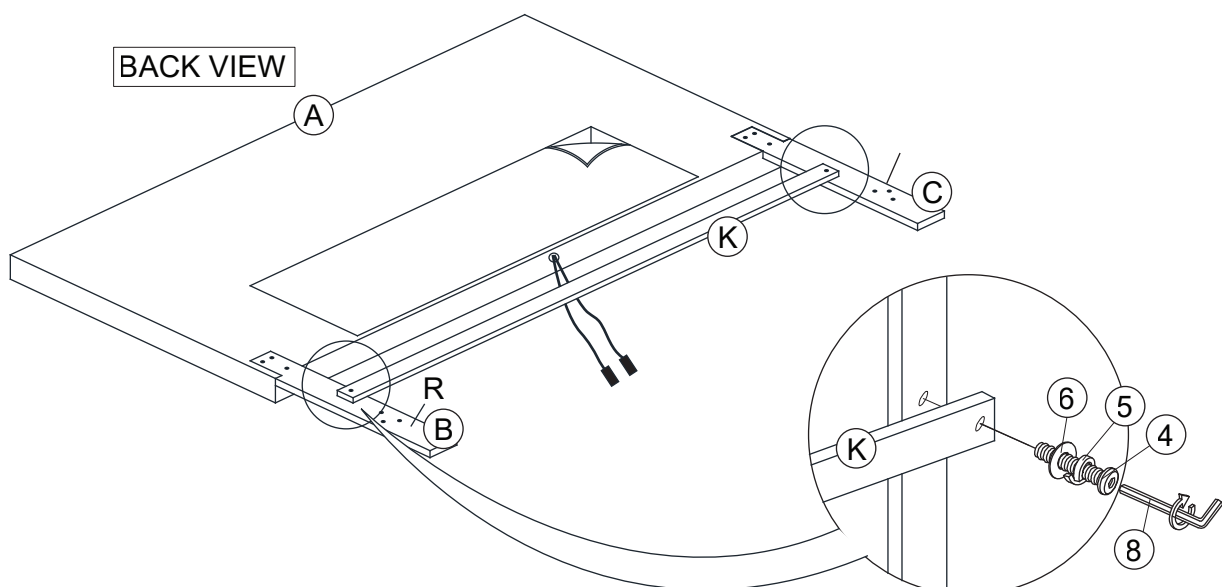


**STEP 1:** Place the Headboard (A) face down on a soft and clean area.  
Assemble RSF Headboard Leg (B) and LSF Headboard Leg (C) to the Headboard (A) by using Allen Key (8) with hardware 3, 5 and 6.



Attention: DO NOT OVER TIGHTEN THE BOLTS.

**STEP 2:** Assemble Headboard Support Rail (K) to the RSF Headboard leg (B) and RSF Headboard leg (C) by using Allen Key (8) with hardware 4, 5, and 6.



Attention: DO NOT OVER TIGHTEN THE BOLTS.

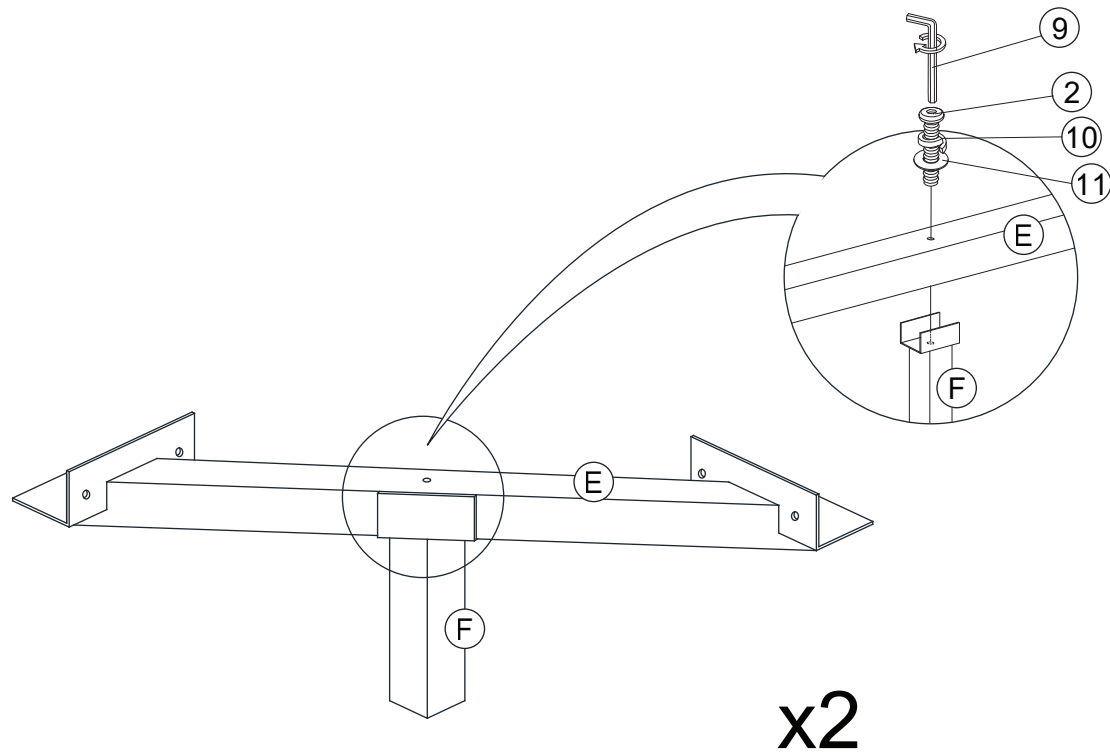
# ASSEMBLY INSTRUCTIONS EUROPA COLLECTION

MODEL : B1840-315 EUROPA 5/0 Q HEADBOARD, FOOTBOARD, & SLATS  
B1840-335 EUROPA- 5/0-6/6 Q/EK SIDE RAILS

**STEP 3 :** Assemble the Footboard Support Leg (F) with the Footboard Support Rail (E) by using Allen Key (9) with hardware 2, 10, and 11.

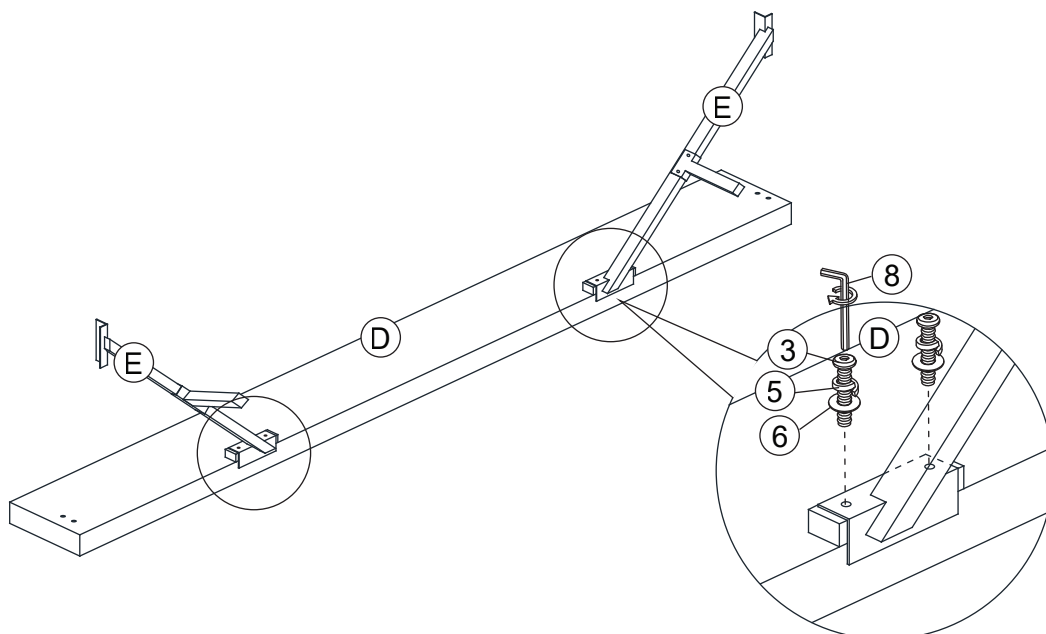
Repeat for each Footboard Support Rail.

\*Attention: Please make sure to use hardware (2).



**STEP 4** Place the Footboard (D) face down on a soft and clean area.

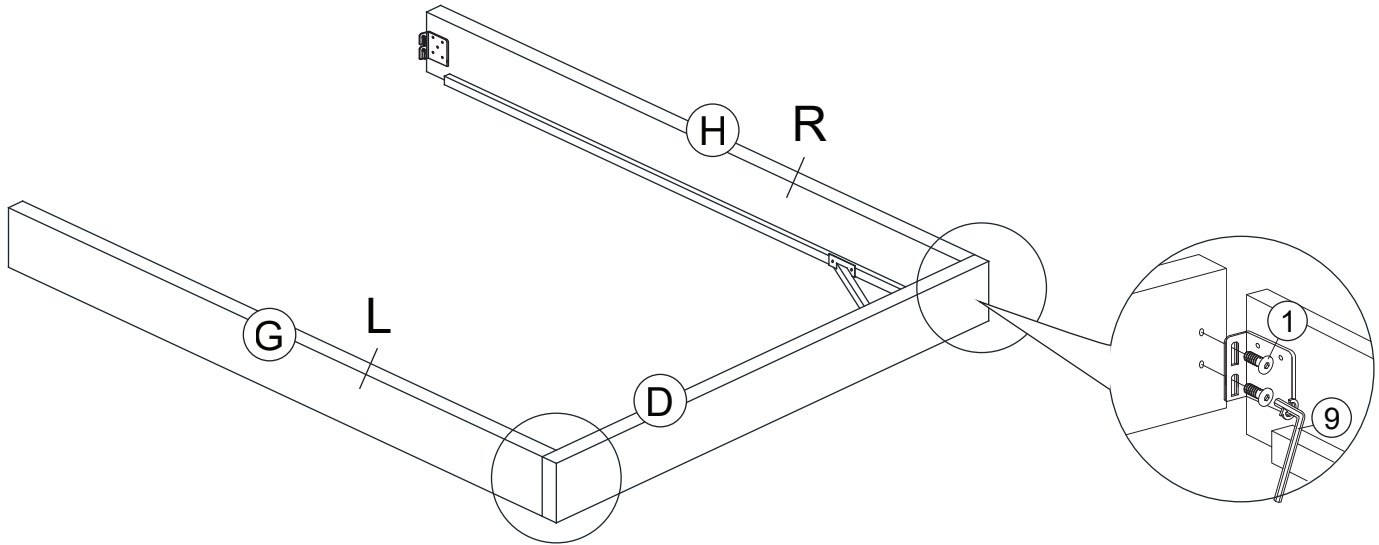
Assemble the Footboard Support Rail (E) to the Footboard (D) by using Allen Key (8) with hardware 3, 5, and 6



# ASSEMBLY INSTRUCTIONS EUROPA COLLECTION

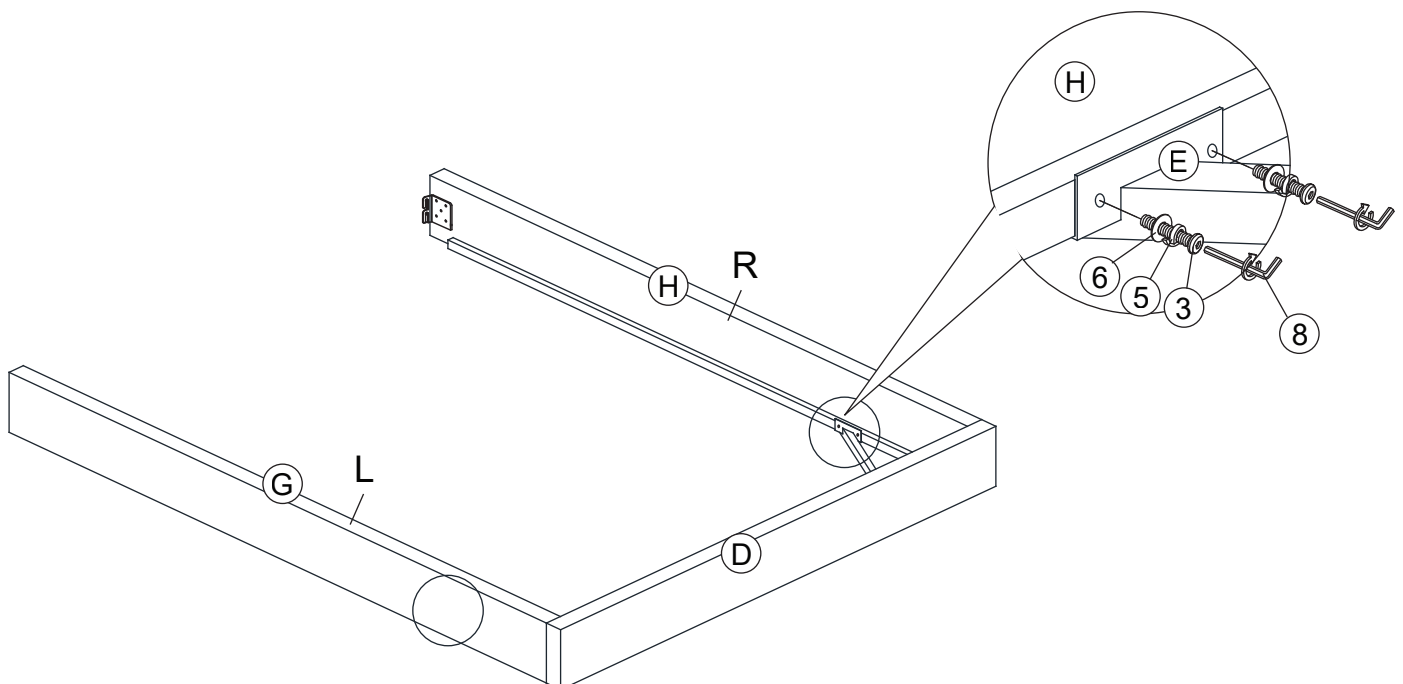
MODEL : B1840-315 EUROPA 5/0 Q HEADBOARD, FOOTBOARD, & SLATS  
B1840-335 EUROPA- 5/0-6/6 Q/EK SIDE RAILS

STEP 5: Assemble the Side Rails (G & H) with the Footboard (D) by using the Allen Key (9) with hardware 1.



Attention: DO NOT OVER TIGHTEN THE BOLTS.

STEP 6 Assemble the Footboard Support Rail (E) to the Side Rails (G & H) by using Allen Key (8) with hardware 3, 5, and 6.

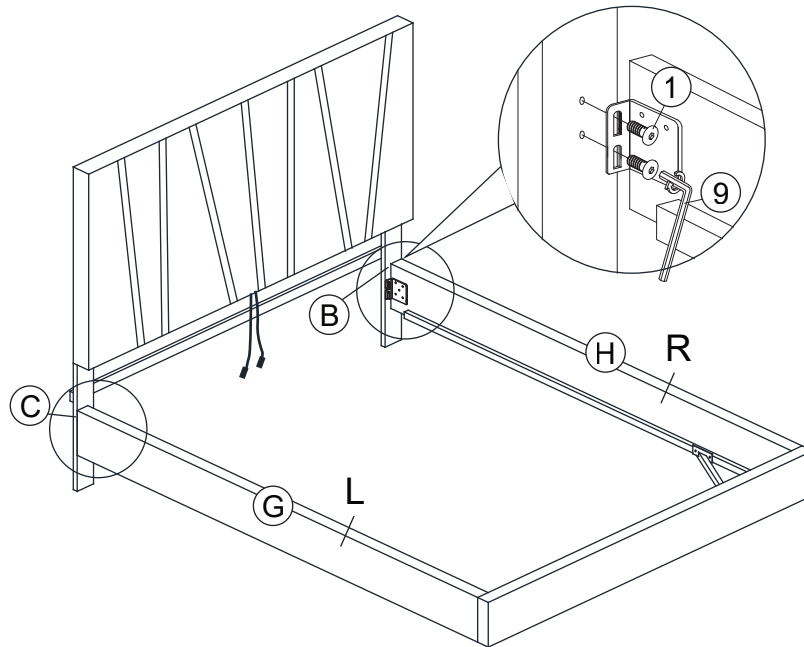


Attention: DO NOT OVER TIGHTEN THE BOLTS.

# ASSEMBLY INSTRUCTIONS EUROPA COLLECTION

MODEL : B1840-315 EUROPA 5/0 Q HEADBOARD, FOOTBOARD, & SLATS  
B1840-335 EUROPA- 5/0-6/6 Q/EK SIDE RAILS

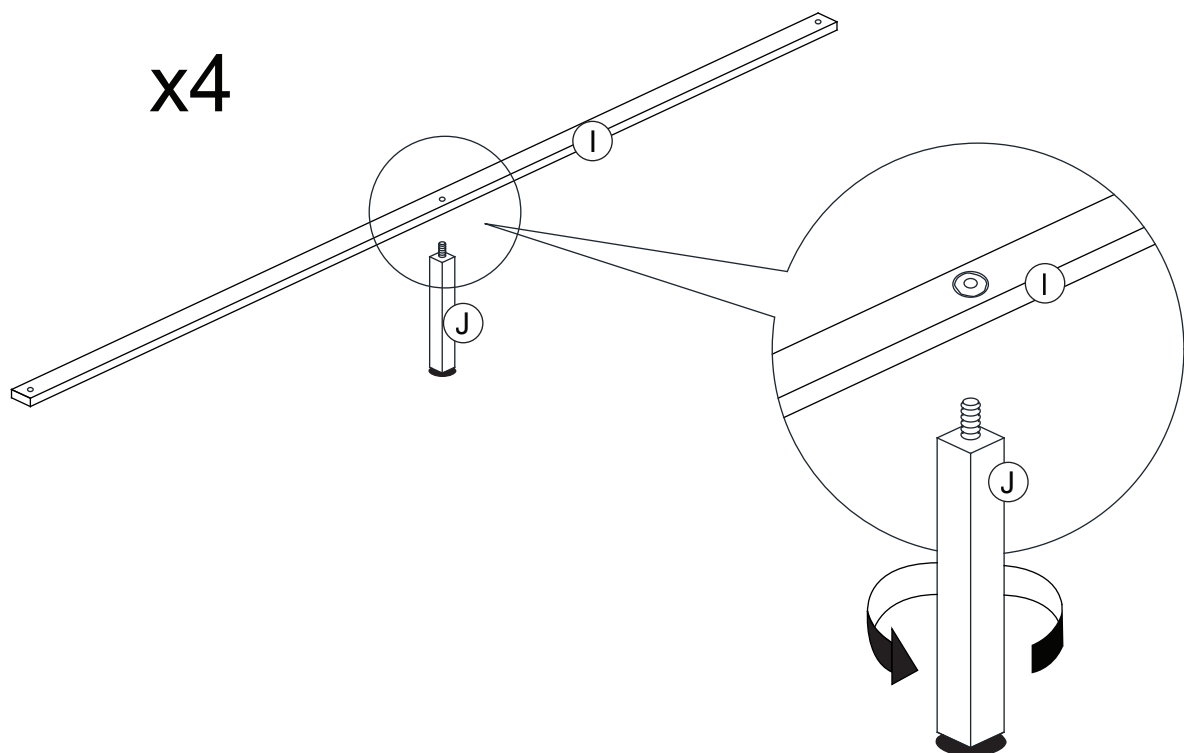
STEP 7: Attach the Side Rails (G & H) to the Headboard Legs (B & C) by using the Allen Key (9) with hardware 1



Do not fully tighten screws until assembly is complete and the bed is level.

Attention: DO NOT OVER TIGHTEN THE BOLTS.

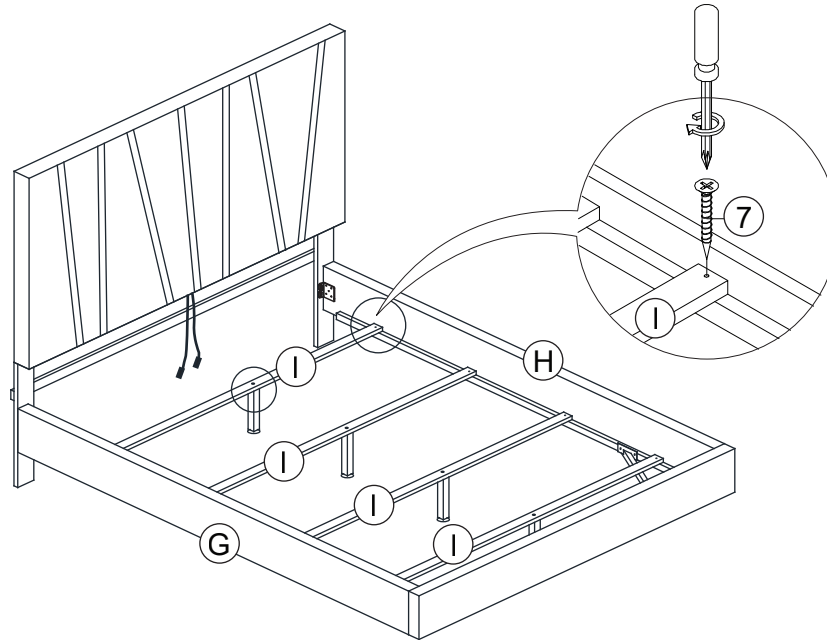
STEP 8 : Turn the Slat Support Legs (J) into the pre-drilled holes on the Slat (I)  
Repeat for each slat.



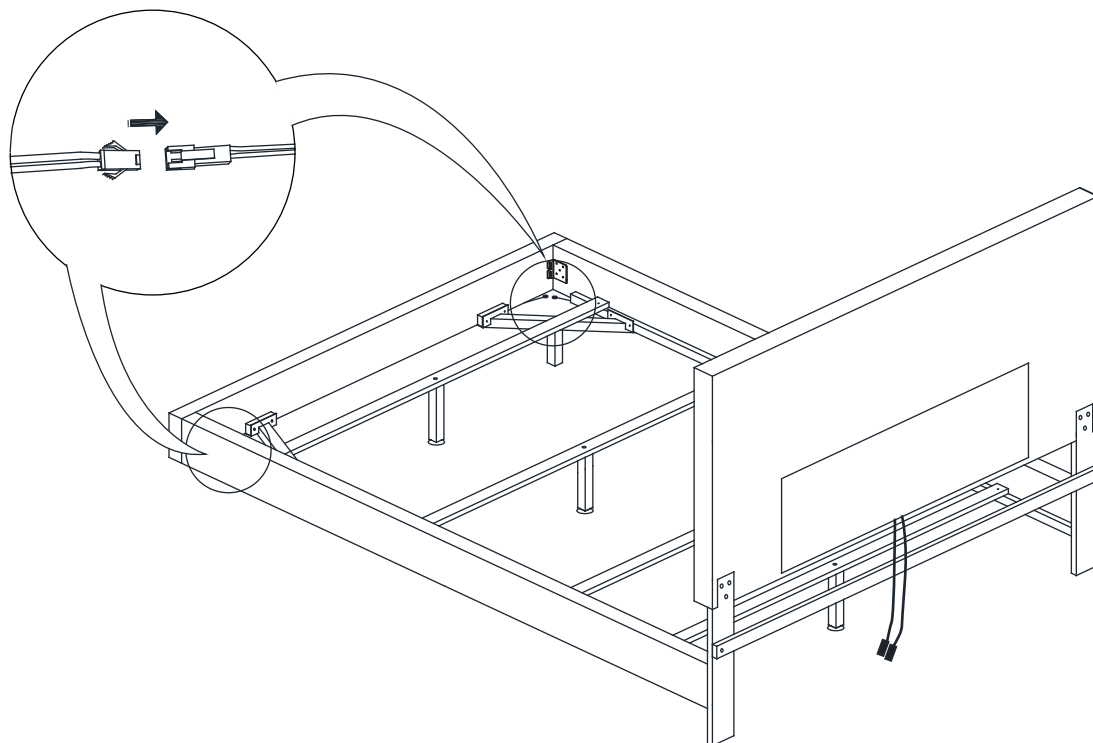
# ASSEMBLY INSTRUCTIONS EUROPA COLLECTION

MODEL : B1840-315 EUROPA 5/0 Q HEADBOARD, FOOTBOARD, & SLATS  
B1840-335 EUROPA- 5/0-6/6 Q/EK SIDE RAILS

STEP 9 : Assemble the Slats (I) to the Side Rails (G & H) by using a screwdriver with hardware (7).



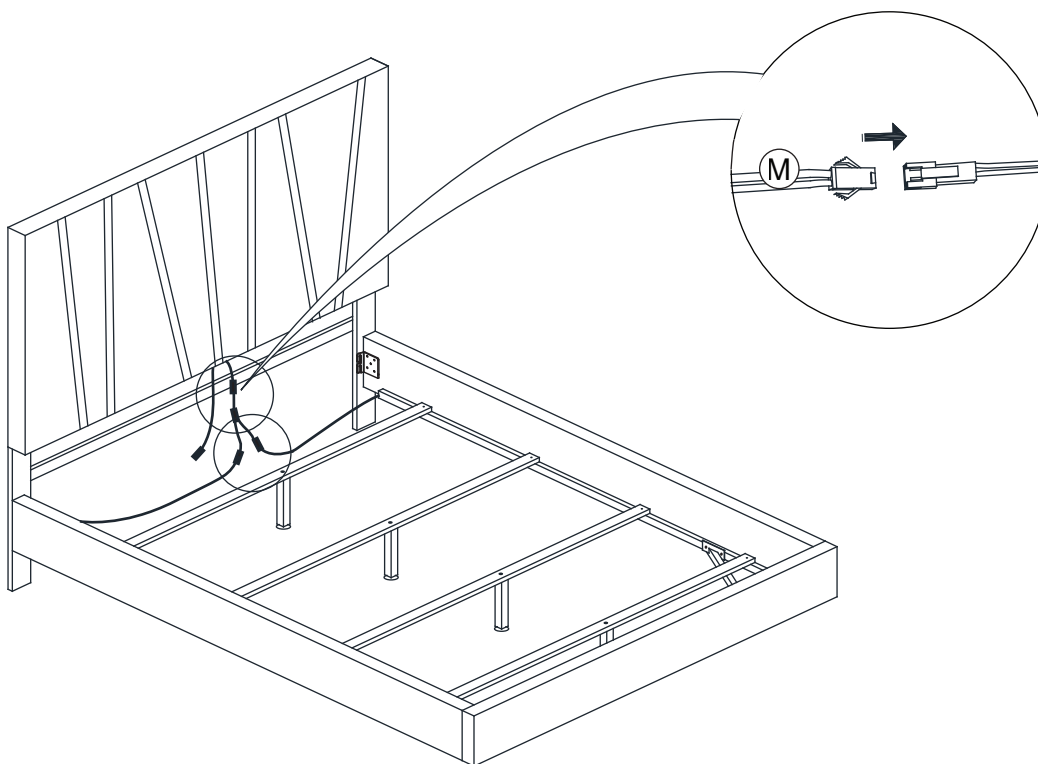
STEP 10 : Connect the wires on Footboard (D) with the wires on Side Rails (G & H).



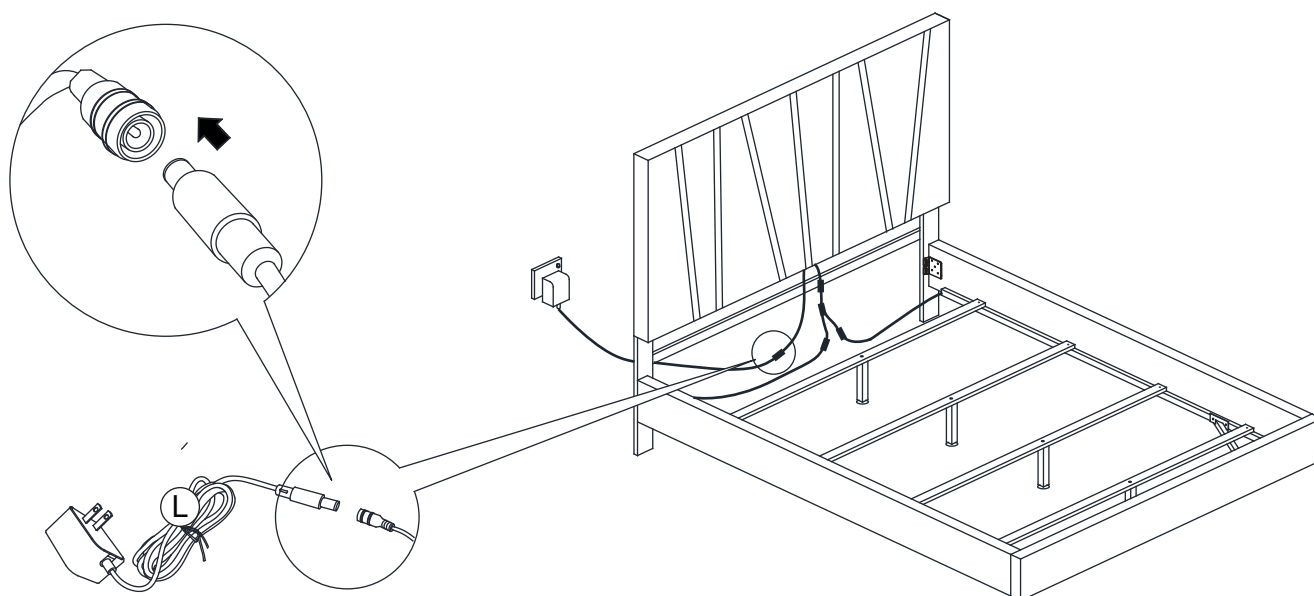
# ASSEMBLY INSTRUCTIONS EUROPA COLLECTION

MODEL : B1840-315 EUROPA 5/0 Q HEADBOARD, FOOTBOARD, & SLATS  
B1840-335 EUROPA- 5/0-6/6 Q/EK SIDE RAILS

**STEP 11 :** Connect the one end Wire (M) with the connecting wire on the Headboard (A).  
Then connect the 2 ends Wire (M) with the connecting wire on to the Side Rails (G & H).



**STEP 12 :** Connect the Plug (L) with the connecting wire on the Headboard (A).



Tighten all the screws when assembly is complete.

# ASSEMBLY INSTRUCTIONS

## EUROPA COLLECTION

MODEL : B1840-040 EUROPA NIGHTSTAND - WHITE  
(1 Per Carton)


Thank you for purchasing this quality product. Be sure to check all packing materials carefully for small parts, which may have come loose inside the carton during shipment. Identify and count all items and compare with the parts list and/or hardware list shown below.

Please read all instructions carefully. See the hardware and furniture part listing for guidance. Be sure you have all parts listed before beginning assembly. Place all wooden parts on a clean, flat surface to protect the finish from scratches. Follow the diagram to assemble.

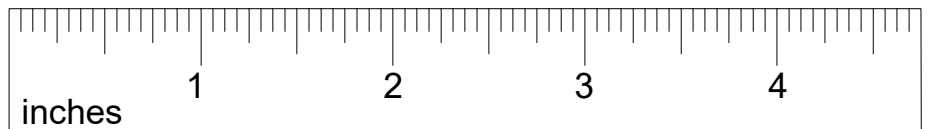
### CAUTION

1. Do not fully tighten the nuts or bolts until the table is fully assembled.
2. Please tighten by hand, not by a drill. Overtightening will damage threads. Do not overtighten.
3. Keep all hardware out of the reach of children.

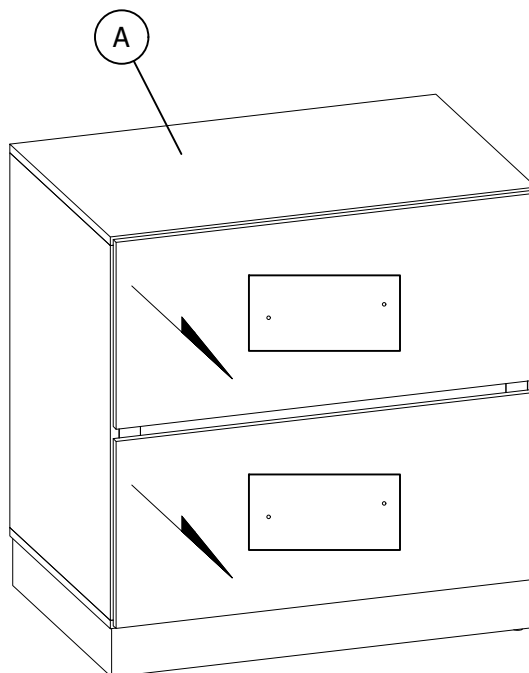
### PARTS LIST

ITEM	DESCRIPTION	SKETCH	QTY
A	NIGHTSTAND		1 PC

### HARDWARE DIMENSIONS VERIFICATION TOOL



**STEP 1:** Pull open the drawer to install the drawer handles.

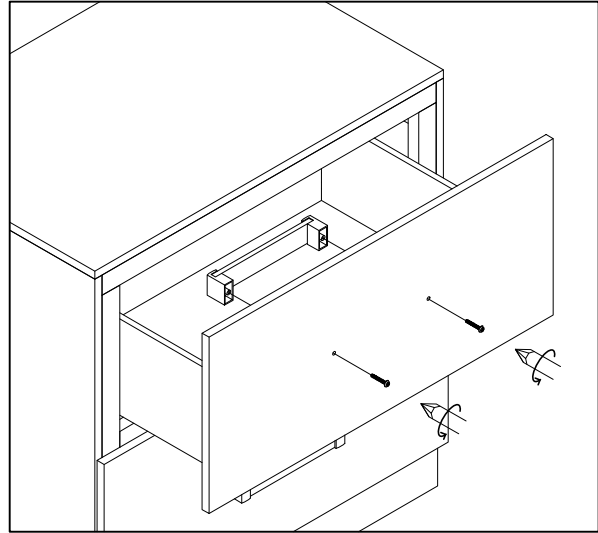
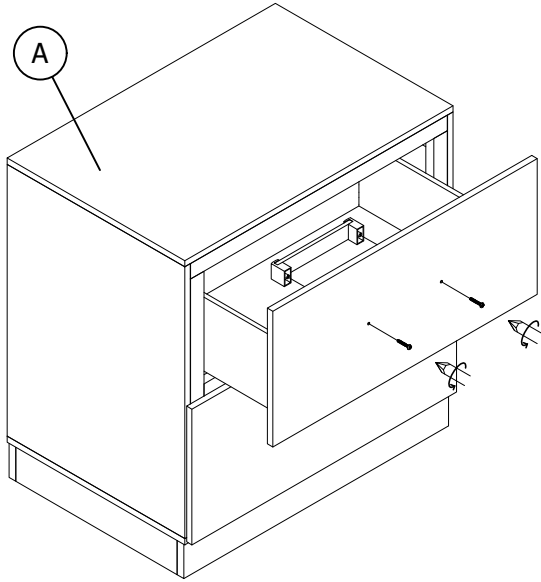


# ASSEMBLY INSTRUCTIONS

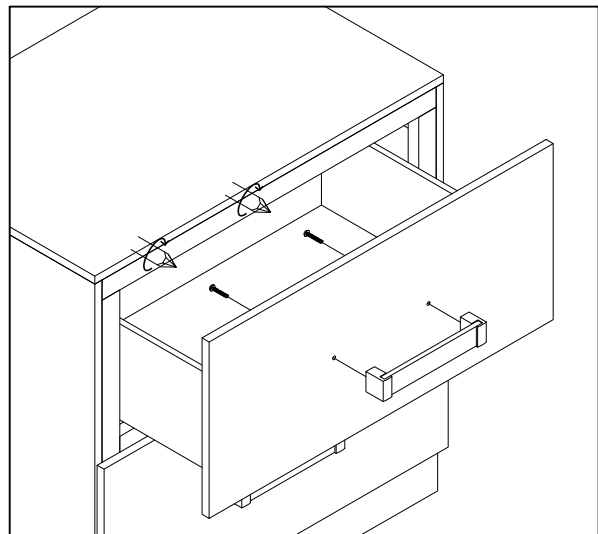
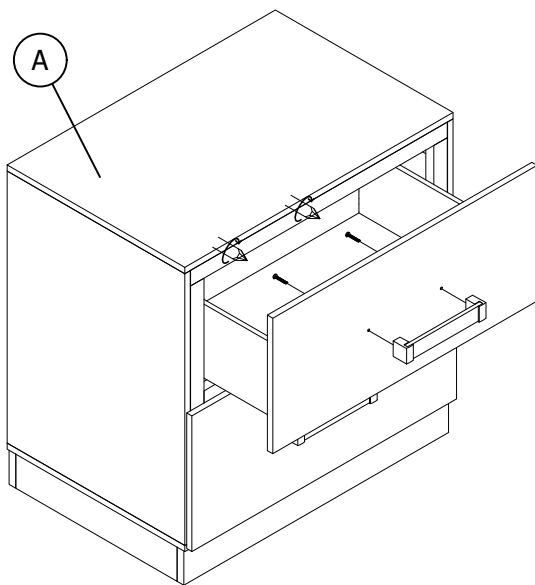
## EUROPA COLLECTION

MODEL : B1840-040 EUROPA NIGHTSTAND - WHITE  
(1 Per Carton)

**STEP 2:** Unscrew the handle from the outside of the drawer with a screwdriver.  
\*\* Attention: DO NOT OVER TIGHTEN THE SCREWS.



**STEP 3:** Place the handle on the outside of the drawer and screw from the inside of the drawer with a screwdriver.  
\*\* Attention: DO NOT OVER TIGHTEN THE SCREWS.

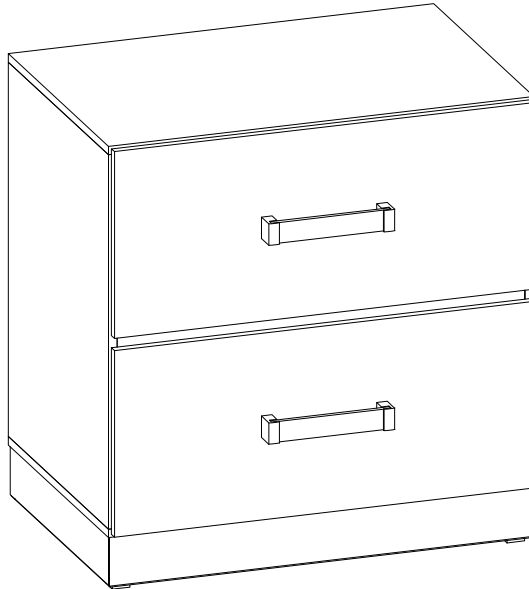


# ASSEMBLY INSTRUCTIONS

## EUROPA COLLECTION

MODEL : B1840-040 EUROPA NIGHTSTAND - WHITE  
(1 Per Carton)

STEP 4: Complete.



ASSEMBLY COMPLETED

# ASSEMBLY INSTRUCTIONS

## EUROPA COLLECTION


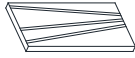



MODEL : B1840-040P EUROPA NIGHTSTAND PANELS,  
(2 PCS PER SET)

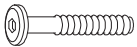



Thank you for purchasing this quality product. Be sure to check all packing materials carefully for small parts, which may have come loose inside the carton during shipment. Identify and count all items and compare with the parts list and/or hardware list shown below.

Please read all instructions carefully. See the hardware and furniture part listing for guidance. Be sure you have all parts listed before beginning assembly. Place all wooden parts on a clean, flat surface to protect the finish from scratches. Follow the diagram to assemble.

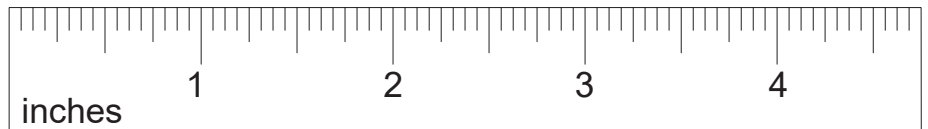
### CAUTION

1. Do not fully tighten the nuts or bolts until the table is fully assembled.
2. Please tighten by hand, not by a drill. Overtightening will damage threads. Do not overtighten.
3. Keep all hardware out of the reach of children.

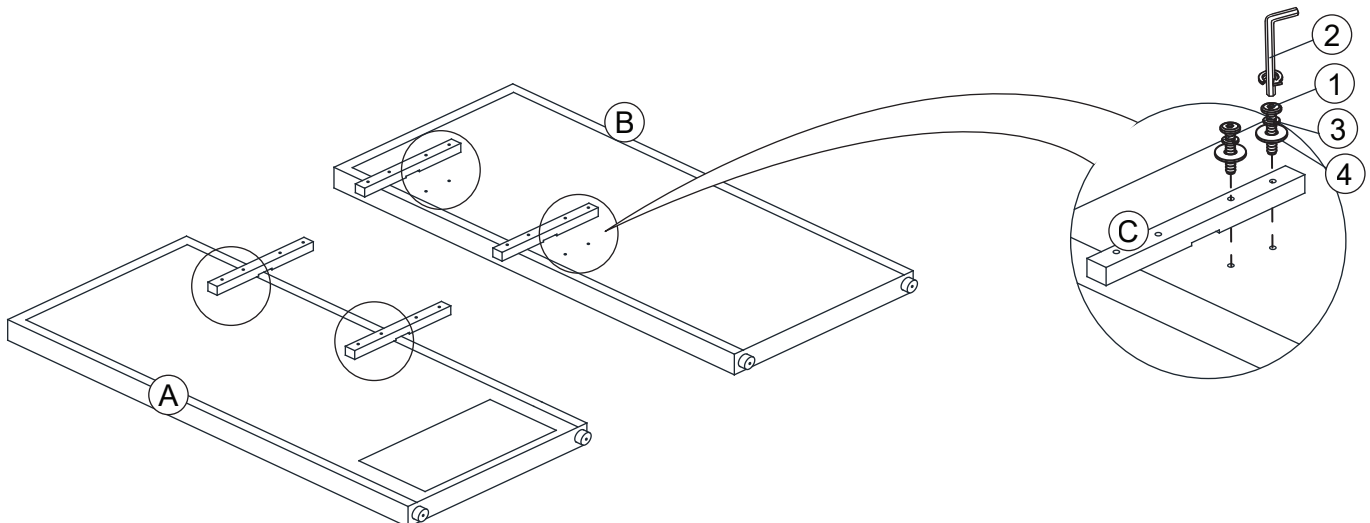
PARTS LIST			
ITEM	DESCRIPTION	SKETCH	QTY
A	RIGHT SIDE FACING (RSF) HEADBOARD PANEL		1PC
B	LEFT SIDE FACING (LSF) HEADBOARD PANEL		1PC
C	LONG SUPPORT RAIL		4PCS
D	SHORT SUPPORT RAIL		2PCS
E	BED		1PC

HARDWARE LIST			
ITEM	DESCRIPTION	SKETCH	QTY
1	BOLT M8 x 2"		20PCS
2	ALLEN KEY M5		1PC
3	SPRING WASHER - M8 x 1/2"		20PCS
4	FLAT WASHER - M8 x 7/8"		20PCS

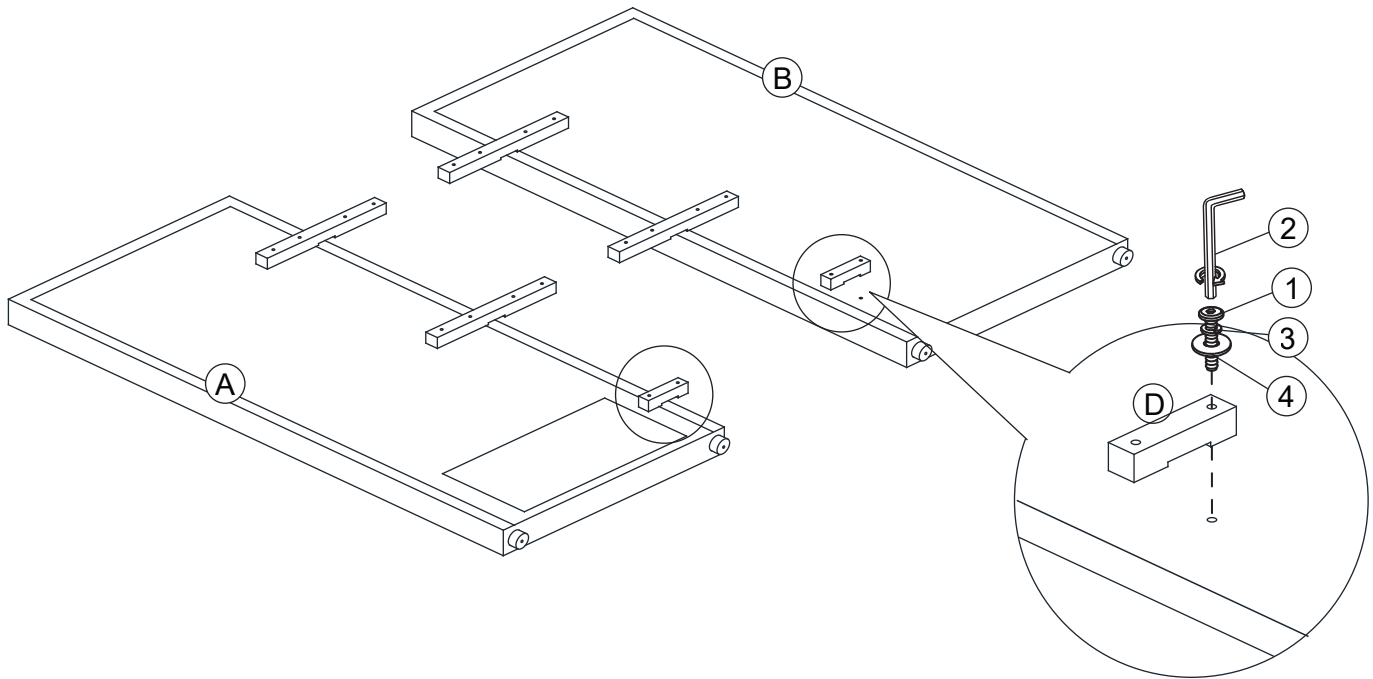
### HARDWARE DIMENSIONS VERIFICATION TOOL



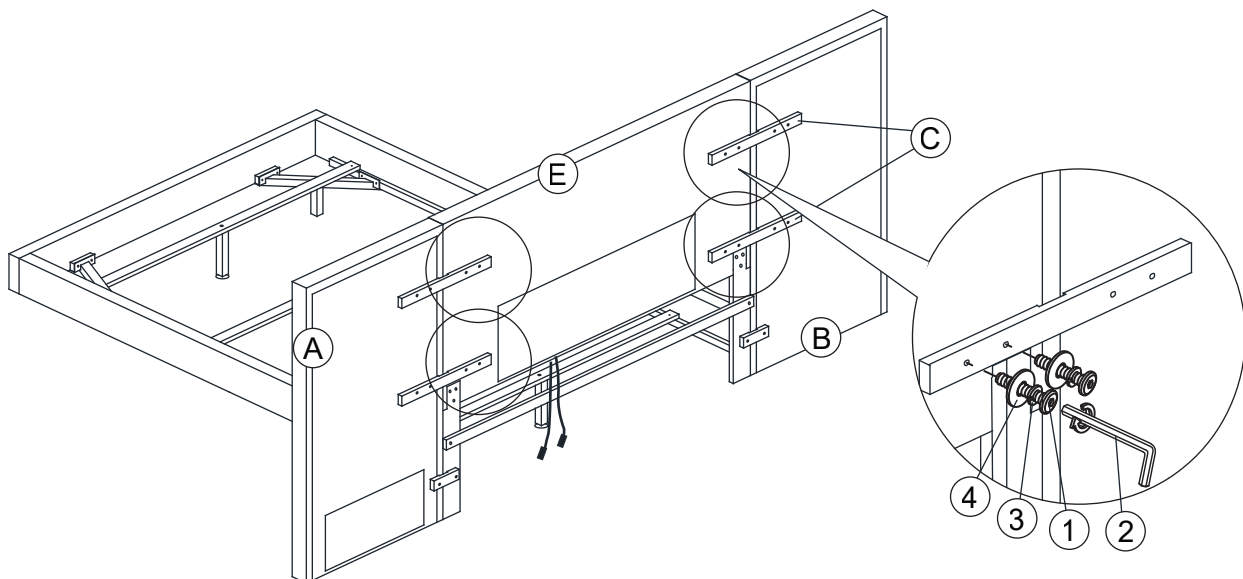
**STEP 1:** Assemble the Long Support Rail (C) to RSF Headboard Panel (A) and LSF Headboard Panel (B) by using Allen Key (2) with hardware (1), (3) and (4).



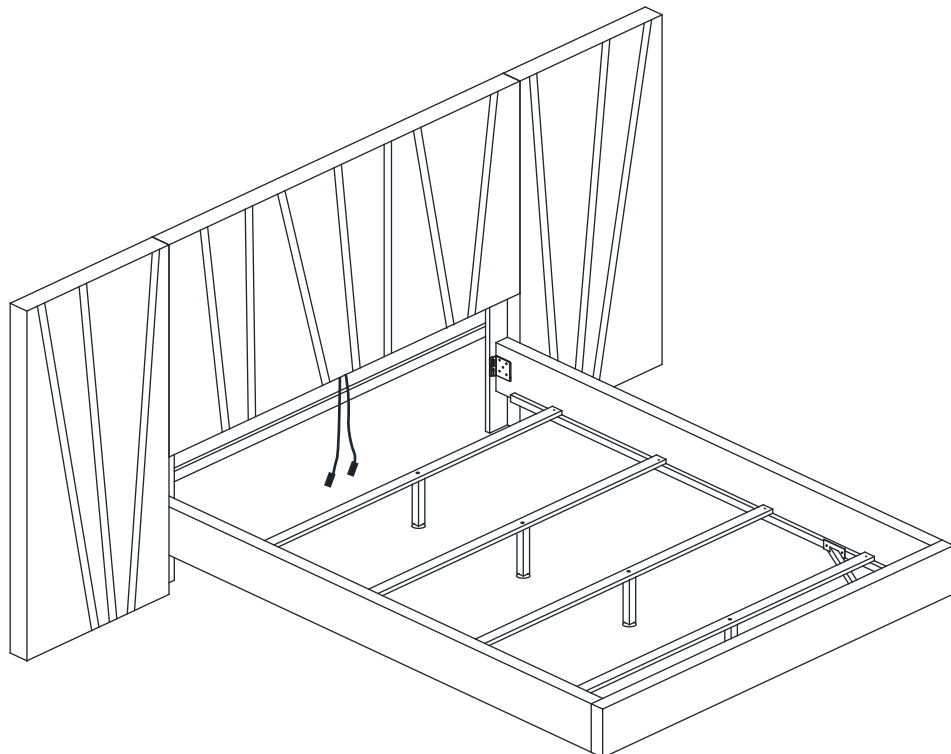
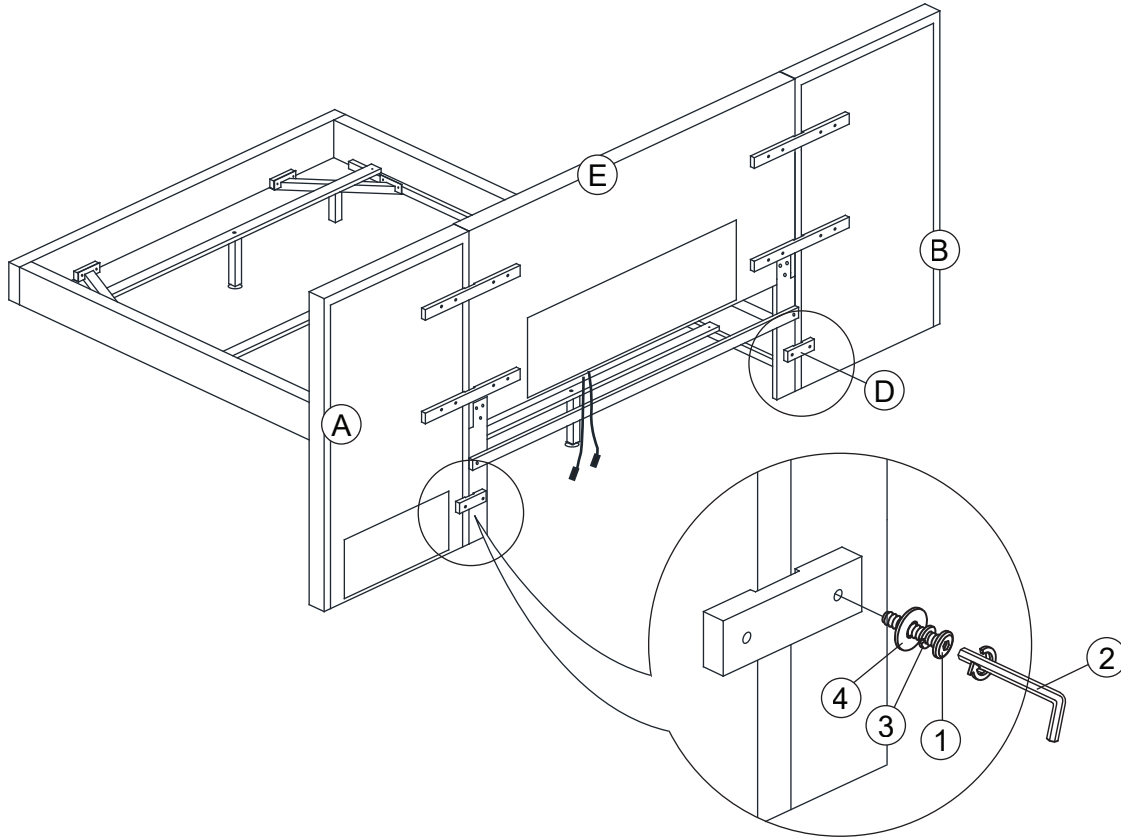
**STEP 2 :** Assemble the Short Support Rail (D) to RSF Headboard Panel (A) and LSF Headboard Panel by using Allen Key (2) with hardware (1), (3) and (4).



**STEP 3 :** Assemble the Long Support Rail (C) to Bed (E) by using Allen Key (2) with hardware (1), (3) and (4).



STEP 4: Assemble the Short Support Rail (D) with Bed (E) by using Allen Key (2) with hardware (1), (3) and (4).



**ASSEMBLY COMPLETED**