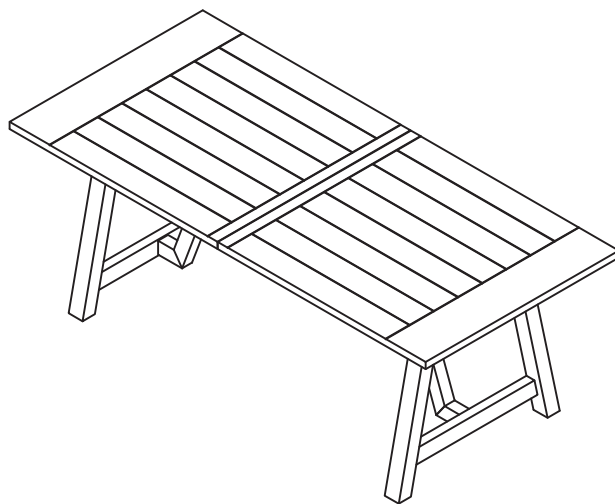


Dining Table



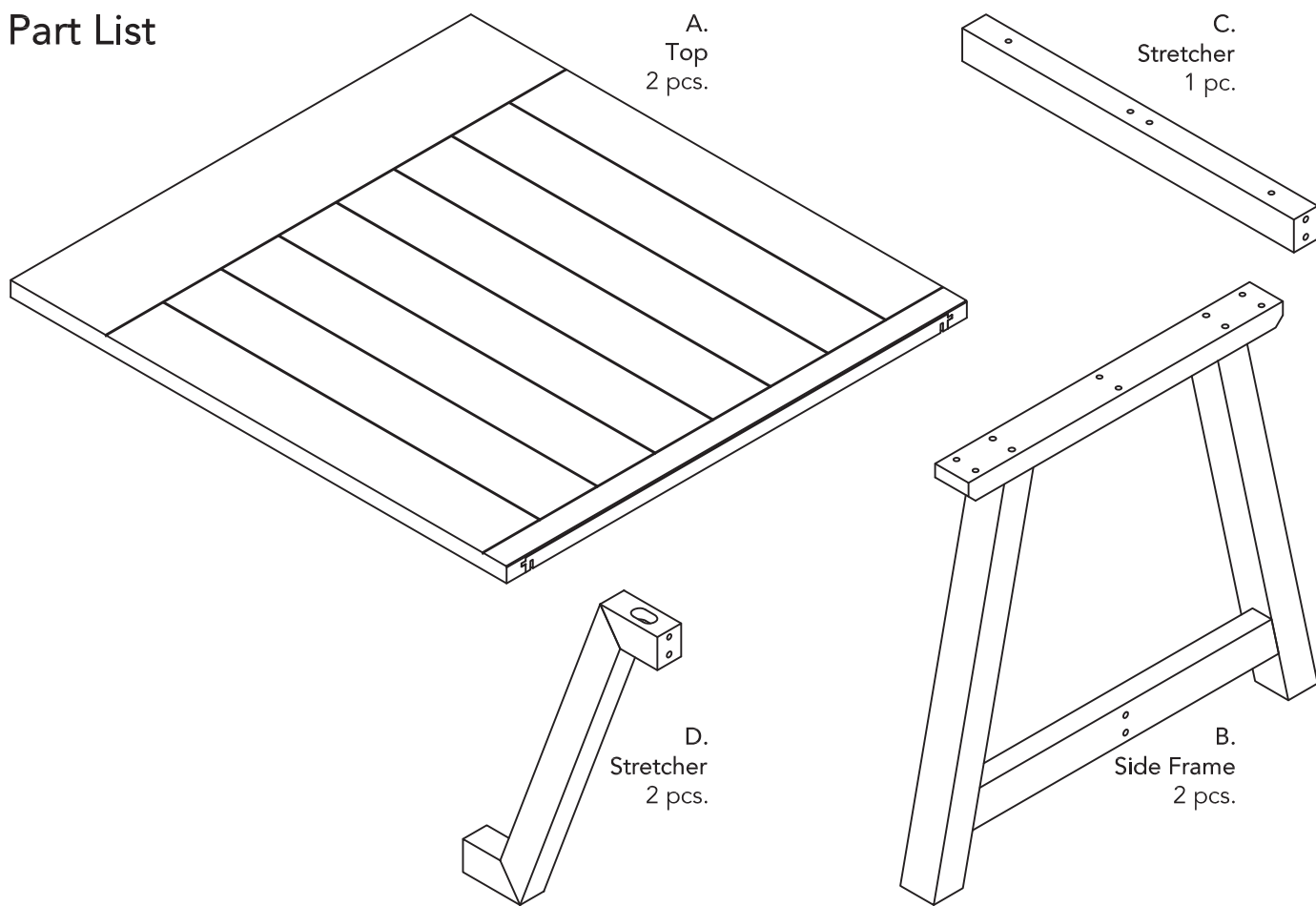
IMPORTANT

Carefully remove all the parts from the carton and place them individually on a soft cloth to prevent scratches or other damage.

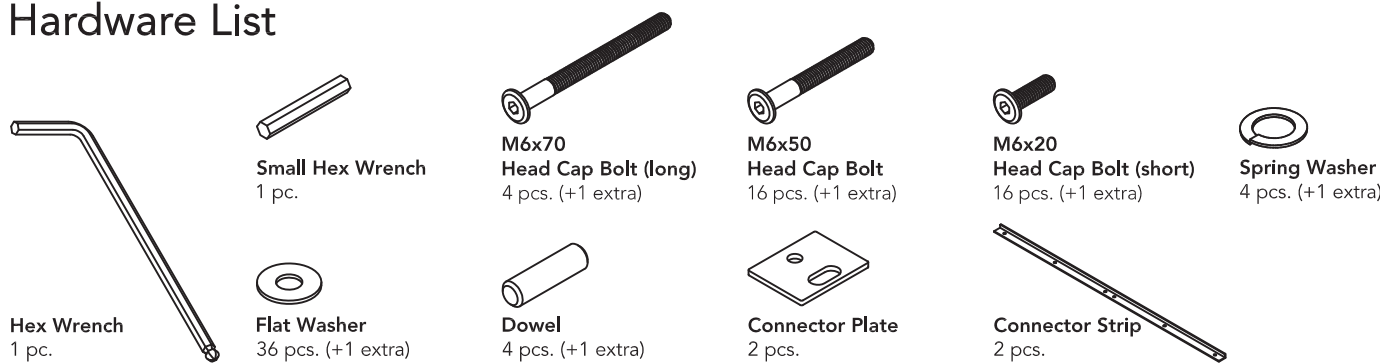
Carefully and strictly follow these assembly instructions to ensure a completed product as designed.

Do not use power tools above 8 volts to assemble.

Part List



Hardware List



Tool(s) required for assembly: Level

homestyles Customer Service: www.homestylesfurniture.com,
servicedesk@homestylesfurniture.com, 888-680-7460

Assembly Instructions 2/6

IMPORTANT

- Use a soft cloth between these parts and the floor.
- Do not use power tools above 8 volts to assemble.
- Do not tighten all the bolts until each part is properly assembled.
- The unit must be level to work properly. Use the included adjustable levelers to level.

STEP 1

Attach Connector Plates and Connector Strips to Tops (A) with Head Cap Bolts (short) and Flat Washers, tightening bolts only half way. (See Figure 1)

Tighten all bolts used in this step.

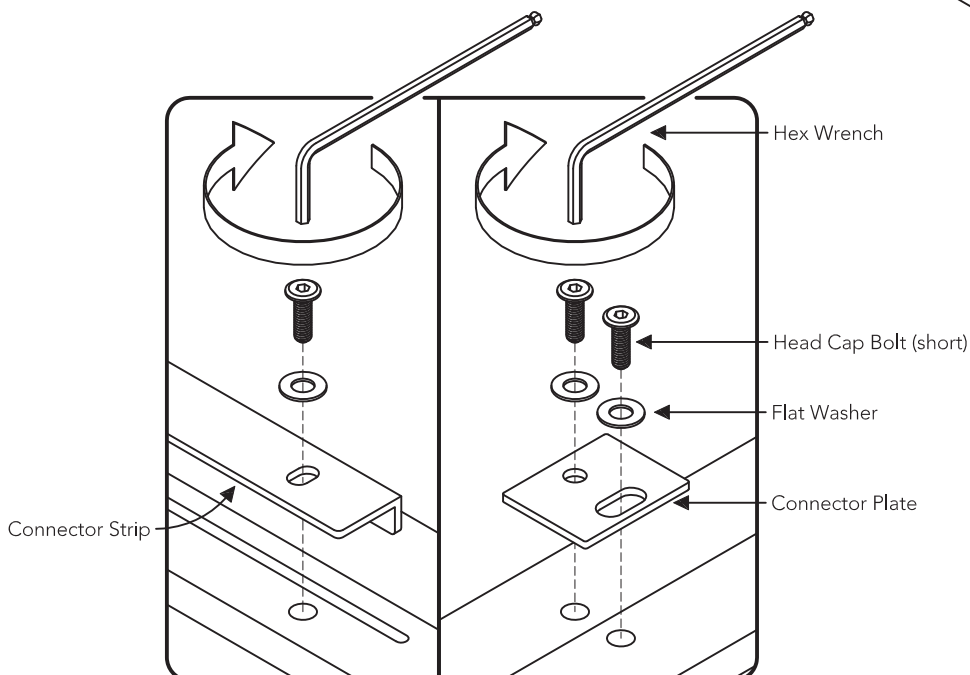
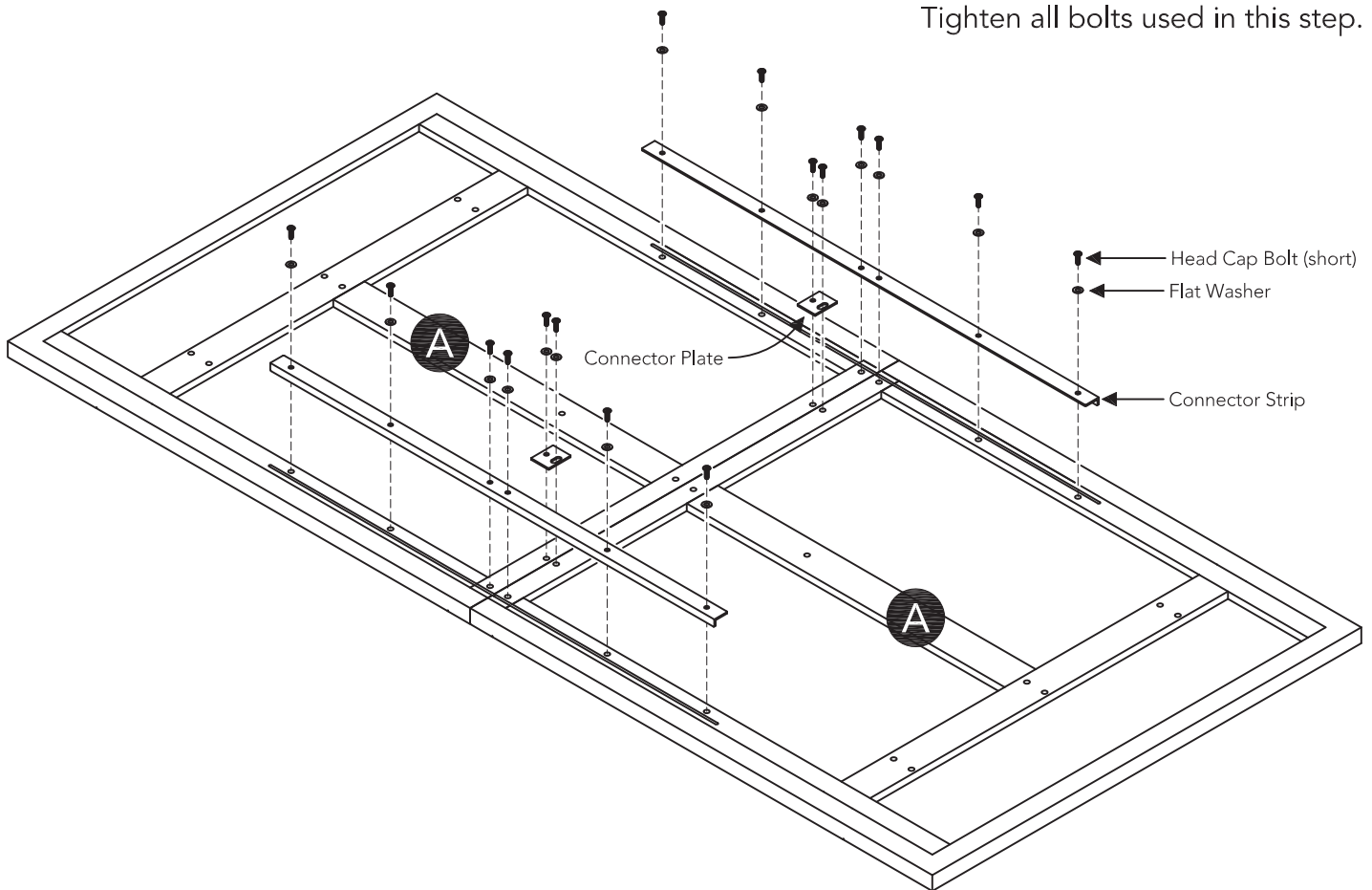


Figure 1

Assembly Instructions 3/6

STEP 2

Attach Stretchers (D) to Stretcher (C) with Dowels, Head Cap Bolts, Spring Washers and Flat Washers.

Tighten Head Cap Bolts with Hex Wrench.
(See Figure 2)

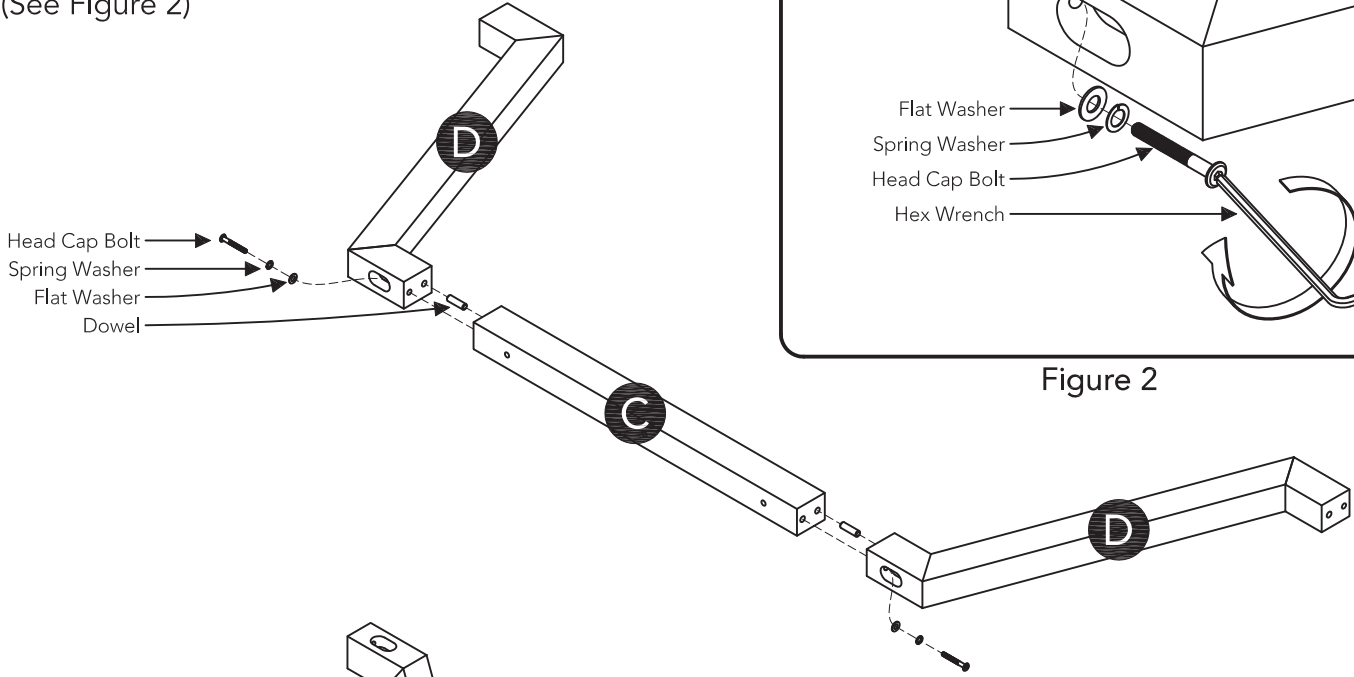
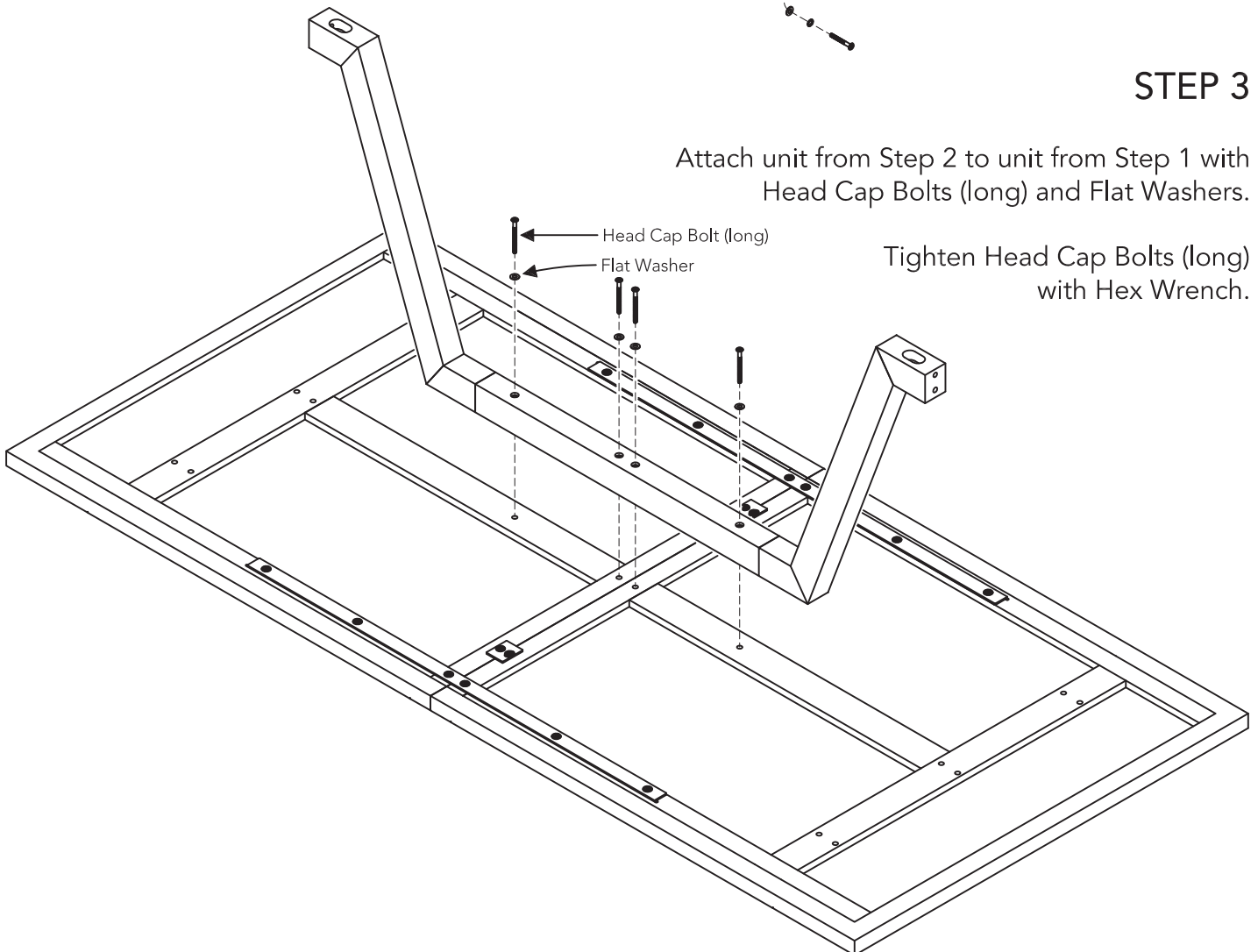


Figure 2

STEP 3

Attach unit from Step 2 to unit from Step 1 with Head Cap Bolts (long) and Flat Washers.

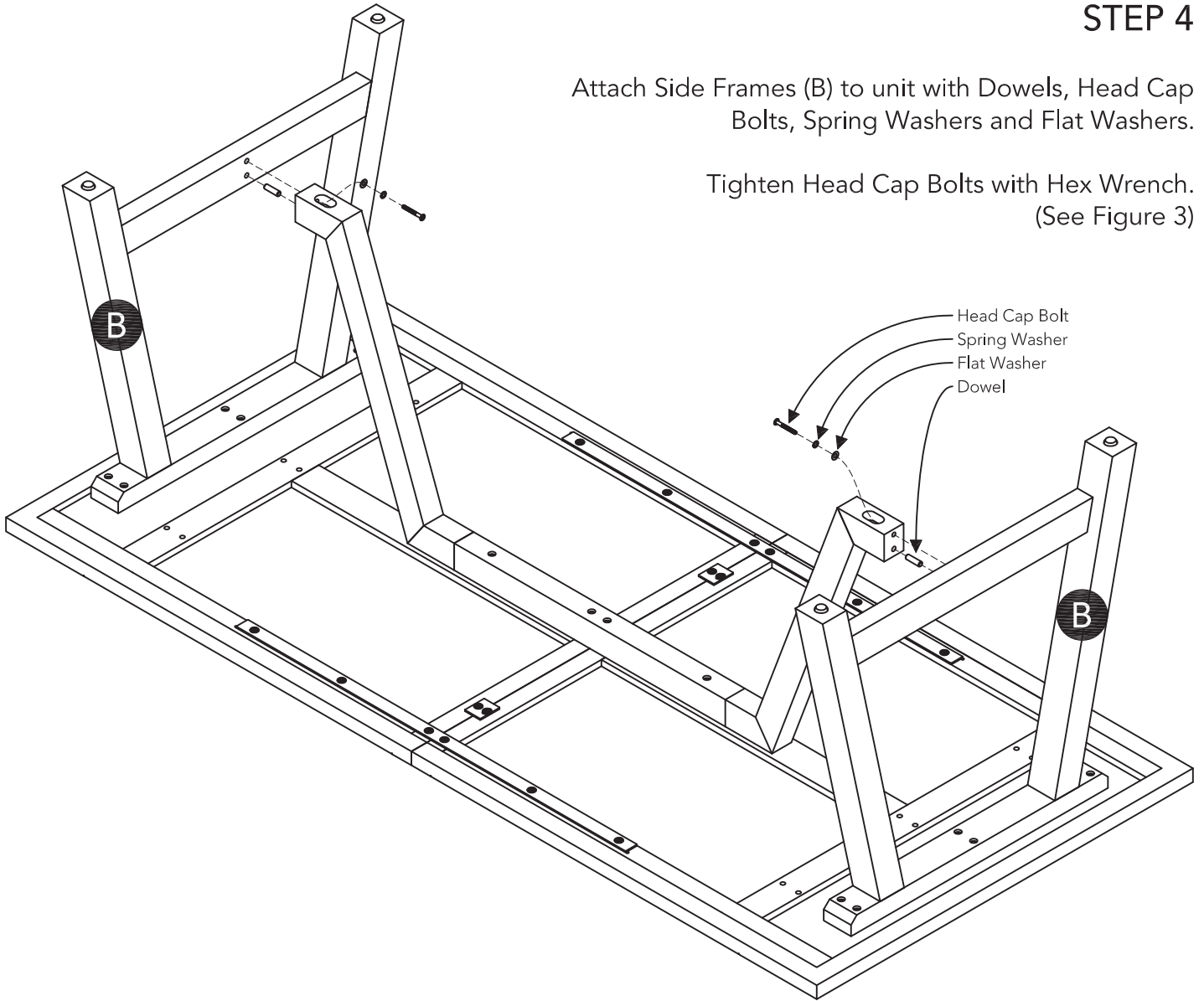
Tighten Head Cap Bolts (long)
with Hex Wrench.



STEP 4

Attach Side Frames (B) to unit with Dowels, Head Cap Bolts, Spring Washers and Flat Washers.

Tighten Head Cap Bolts with Hex Wrench.
(See Figure 3)



Head Cap Bolt
Spring Washer
Flat Washer
Dowel

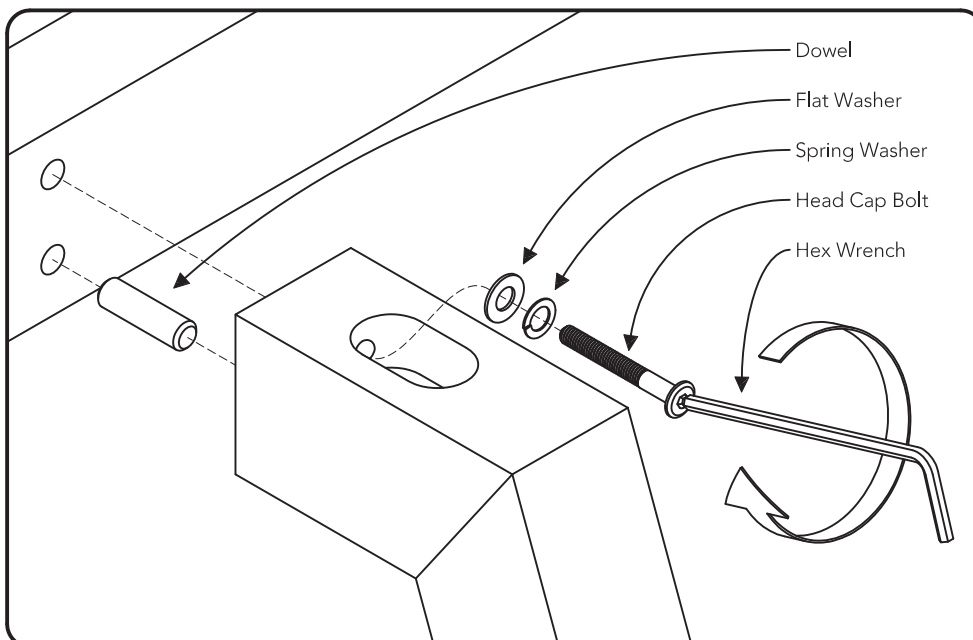


Figure 3

Assembly Instructions 5/6

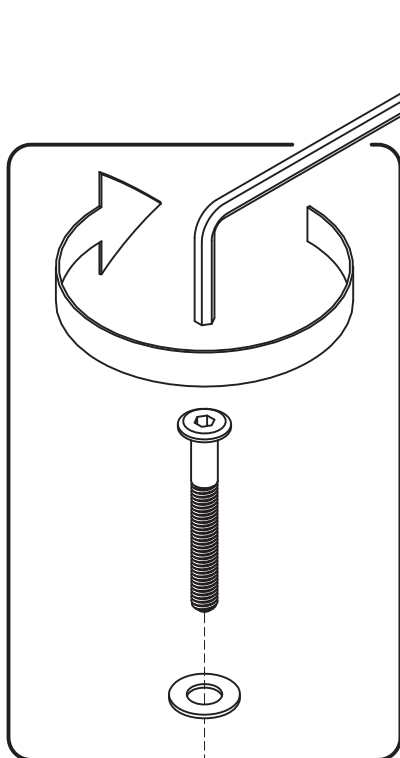
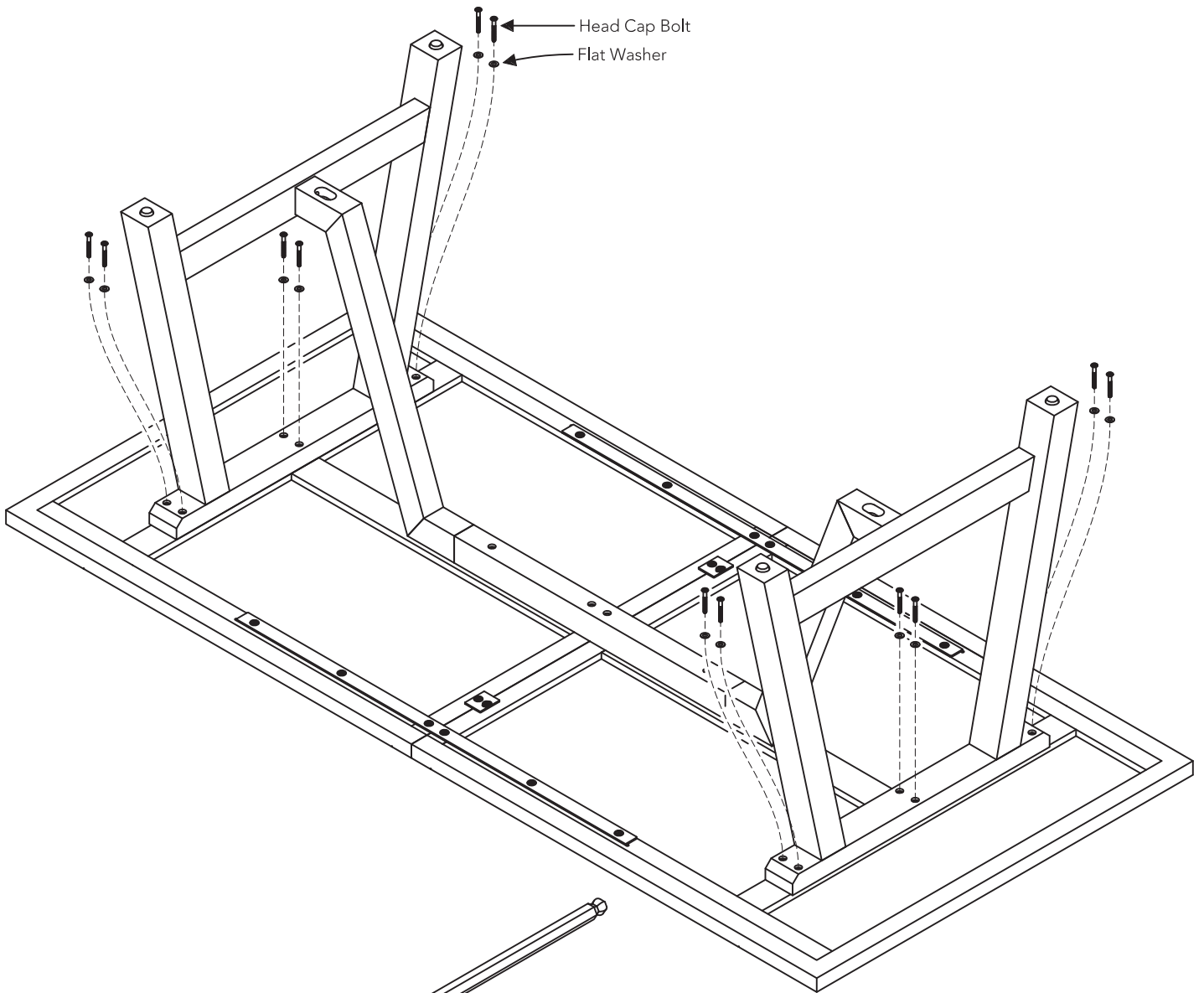


Figure 4

STEP 5

Attach Head Cap Bolts and Flat Washers to unit.

Tighten Head Cap Bolts with Hex Wrench.
(See Figure 4)

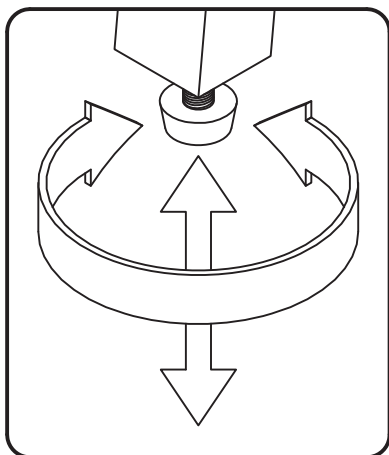
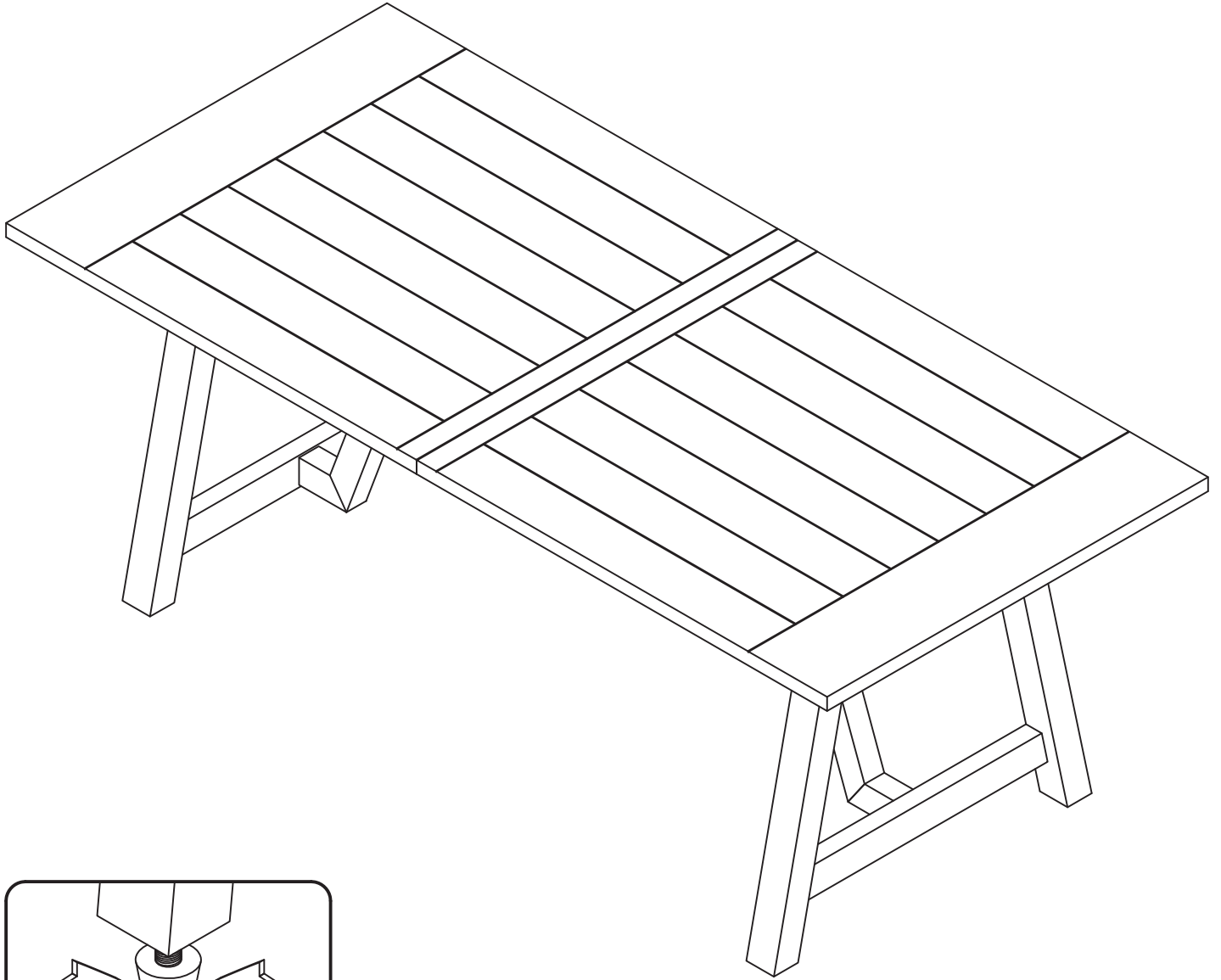


Figure 5

STEP 6

Turn unit over to its upright position.

Level unit by adjusting the adjustable levelers on bottom of unit.

Note: Unit must be level to work properly. (See Figure 5)

CARE INSTRUCTIONS

NEVER

allow liquids to remain on furniture.
Absorption causes parts to warp
and split and finishes to delaminate.

NEVER

use glass cleaners on
finished furniture. Ammonia
chemically attacks the finish.



Do not use power tools
above 8 volts to assemble.

**PREVENT
CRACKING**



Do not place
in direct sunlight.

**PREVENT
FADING**



Do not write
directly on surface.

**PREVENT
MARKING**



Do not place hot
objects on surface.

**PREVENT
FINISH DAMAGE**



Do not use rubber
based placemats.

**PREVENT
DISCOLORING**



Do not use commercial
waxes and polishes.

**PREVENT
YELLOWING**

CLEAN

with a soft cloth moistened
in lukewarm soap and water.
Buff with a dry clean cloth.



homestyles will provide replacements free of charge for missing or damaged parts within 30 days of purchase. Digital images of the defective parts may be required. If the product was not purchased from an authorized retailer, **homestyles** is under no obligation to provide replacement parts. Parts are not available for fully assembled items nor are parts available for sale. Replacements for missing or damaged parts may be requested via contact info below.

homestyles Customer Service: www.homestylesfurniture.com,
servicedesk@homestylesfurniture.com, 888-680-7460