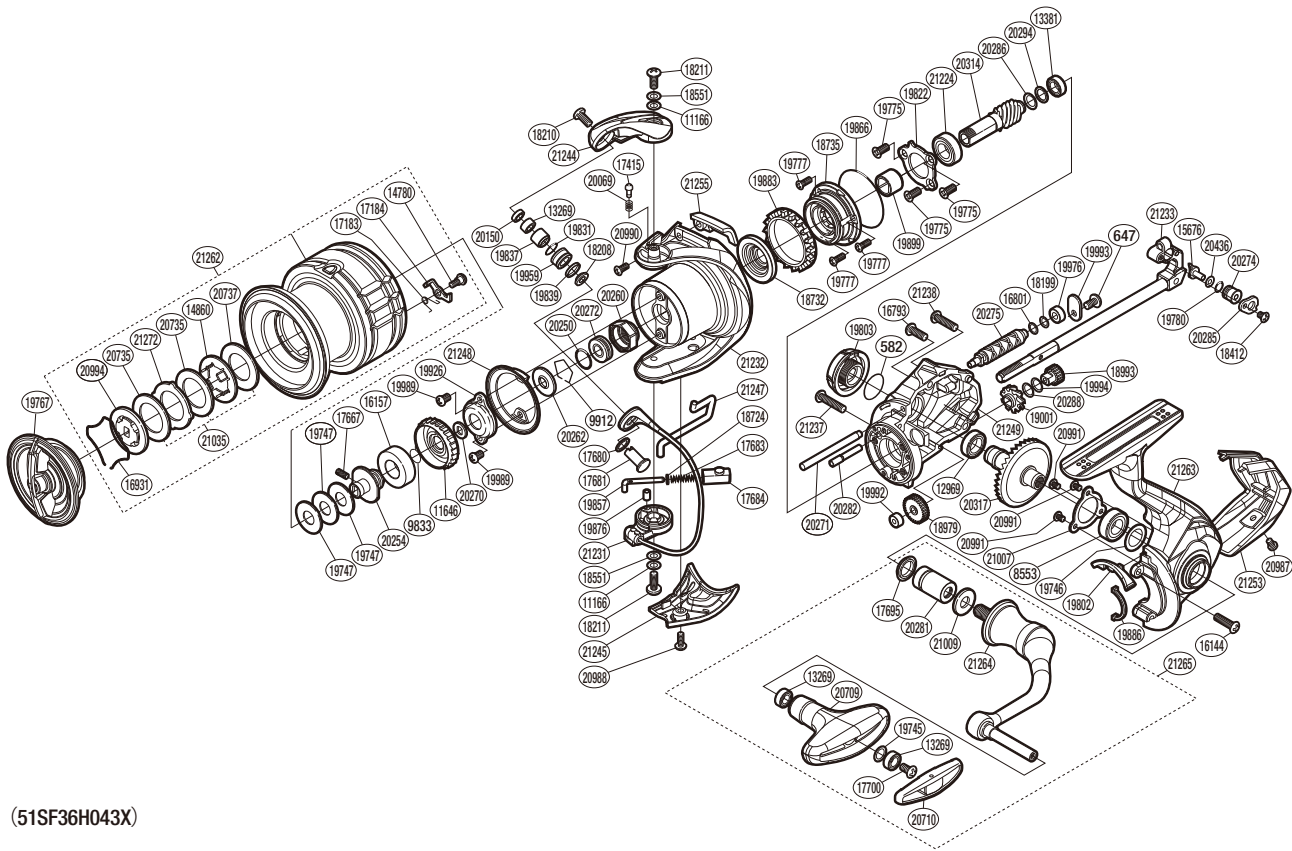


# SHIMANO

## VANFORD

## VF4000XGF



(51SF36H043X)

| #     | Part No. | Description            | #     | Part No. | Description                | #     | Part No. | Description             |
|-------|----------|------------------------|-------|----------|----------------------------|-------|----------|-------------------------|
| 582   | 108WH    | O Ring                 | 19745 | 104FH    | Washer                     | 20286 | 10E37    | Washer                  |
| 647   | 10QG5    | Screw                  | 19746 | 101AY    | Washer                     | 20288 | 10G6D    | Spacer                  |
| 8553  | 107AT    | Ball Bearing           | 19747 | 101AV    | Washer                     | 20294 | 10GD9    | Washer                  |
| 9833  | 107V2    | Ratchet Spring         | 19767 | 10180    | Drag Knob Assembly         | 20314 | 10DZ1    | Pinion Gear             |
| 9912  | 10GEW    | Bearing Retainer       | 19775 | 100WY    | Screw                      | 20317 | 100Y1    | Drive Gear              |
| 11166 | 10KFA    | Washer                 | 19777 | 100WT    | Screw                      | 20436 | 100CW    | Washer                  |
| 11646 | 107PS    | Drag Click Ratchet     | 19780 | 100WX    | O Ring                     | 20709 | 10RHC    | Handle Knob             |
| 12969 | 107FA    | Ball Bearing           | 19802 | 1017Y    | Bail Trip Strike           | 20710 | 10S3U    | Handle Knob Seal        |
| 13269 | 104VX    | Ball Bearing           | 19803 | 10RSK    | Handle Screw Cap           | 20735 | 10E66    | Drag Washer             |
| 13381 | 104JT    | Ball Bearing           | 19822 | 10DWD    | Bearing Retainer           | 20737 | 10E6E    | Drag Washer             |
| 14780 | 10A6F    | Screw                  | 19831 | 1009E    | O Ring                     | 20987 | 10RX2    | Screw                   |
| 14860 | 10BBP    | Key Washer             | 19837 | 1009K    | Line Roller Bushing        | 20988 | 101CC    | Screw                   |
| 15676 | 106VJ    | Oscillating Pawl       | 19839 | 10RFZ    | Line Roller Spacer         | 20990 | 10RNQ    | Screw                   |
| 16144 | 10M2L    | Screw                  | 19857 | 10SAN    | Bail Spring Guide A        | 20991 | 100UL    | Screw                   |
| 16157 | 10J3G    | Spool Bushing          | 19866 | 1009Z    | O Ring                     | 20994 | 10K3C    | Key Washer              |
| 16793 | 10LZ4    | Screw                  | 19876 | 1009B    | Bail Spring Guide A Bush   | 21007 | 100F9    | Bearing Retainer        |
| 16801 | 10K9C    | Washer                 | 19883 | 10QXQ    | Friction Ring              | 21009 | 100RR    | Washer                  |
| 16931 | 10B8N    | Drag Washer Retainer   | 19886 | 1009W    | Flange Water Proof         | 21035 | 10RDE    | Drag Washer             |
| 17183 | 10BQF    | Drag Click Spring      | 19899 | 1009Y    | Roller Clutch Inner        | 21224 | 10E7A    | Ball Bearing            |
| 17184 | 102H5    | Drag Click             | 19926 | 1076N    | Rotor Nut Lock Plate       | 21231 | 100B3    | Bail Assembly           |
| 17415 | 106ZC    | Click Pin              | 19959 | 1009A    | Line Roller                | 21232 | 100BC    | Rotor Assembly          |
| 17667 | 10PN3    | Set Screw              | 19976 | 1009C    | Worm Bushing (Rear)        | 21233 | 10T3F    | Main Shaft Assembly     |
| 17680 | 1018Z    | Washer                 | 19989 | 103GW    | Screw                      | 21237 | 10DWX    | Screw                   |
| 17681 | 10TPC    | Line Roller Support    | 19992 | 1009G    | Worm Bushing (Front)       | 21238 | 10S44    | Screw                   |
| 17683 | 105R6    | Bail Spring            | 19993 | 10S7C    | Worm Shaft Retainer        | 21244 | 10DX1    | Bail Arm                |
| 17684 | 107AB    | Bail Spring Guide B    | 19994 | 10TBA    | Washer                     | 21245 | 10SD6    | Bail Hold Support Guard |
| 17695 | 10PXV    | Handle Shaft Seal      | 20069 | 10HE7    | Click Spring               | 21247 | 10DX4    | Bail Trip Lever         |
| 17700 | 10LFA    | Screw                  | 20150 | 10E44    | Line Roller Collar         | 21248 | 10DWK    | Rotor Brim              |
| 18199 | 10ECK    | Spacer                 | 20250 | 101GT    | O Ring                     | 21249 | 10S9E    | Body                    |
| 18208 | 10TJM    | Spacer                 | 20254 | 10DYE    | Bearing Bushing            | 21253 | 101E2    | Rear Protector          |
| 18210 | 10TLJ    | Screw                  | 20260 | 10E38    | Rotor Nut                  | 21255 | 10SDA    | Counterweight Cover     |
| 18211 | 10TLM    | Screw                  | 20262 | 10DY6    | Bearing Water Proof        | 21262 | 10DX3    | Spool Assembly          |
| 18412 | 10LCT    | Screw                  | 20270 | 103NY    | Spool Support              | 21263 | 100BE    | Side Cover Assembly     |
| 18551 | 10K96    | Washer                 | 20271 | 10DYF    | Oscillating Guide A        | 21264 | 10T3C    | Handle Shank Assembly   |
| 18724 | 101D9    | Spring Guide A Support | 20272 | 10DXZ    | Main Shaft Collar          | 21265 | 10DWW    | Handle Assembly         |
| 18732 | 101D5    | Rotor Ring             | 20274 | 1010C    | Oscillating Slider Bushing | 21272 | 10RZV    | Eared Washer            |
| 18735 | 10S2L    | Roller Clutch Assembly | 20275 | 10DYB    | Worm Shaft                 |       |          |                         |
| 18979 | 10074    | Idle Gear              | 20281 | 10DYA    | Handle Shaft Cover B       |       |          |                         |
| 18993 | 10SM7    | Idle Gear B Small      | 20282 | 10DYJ    | Idle Gear B Shaft          |       |          |                         |
| 19001 | 1006V    | Idle Gear B Large      | 20285 | 1010D    | Oscillating Pawl Cover     | 18054 | 10G4L    | Anti Line Slip Sticker  |

Please note that the number of adjusting washers may not be the same as shown in the exploded views.  
(Adjustment will vary with each individual product.)

(230607)\_006