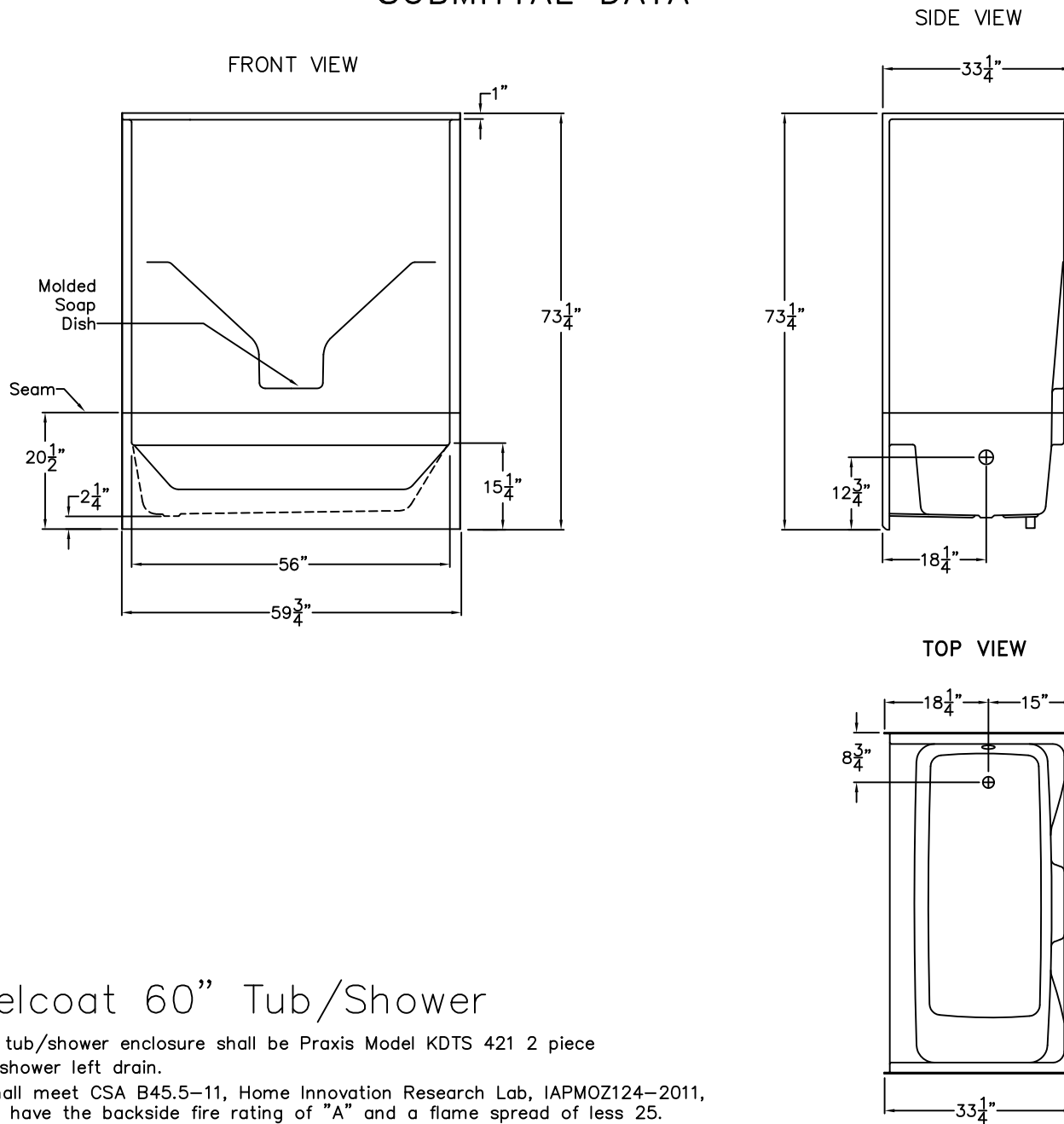


Luxury Gelcoat Series

SUBMITTAL DATA



Gelcoat 60" Tub/Shower

This tub/shower enclosure shall be Praxis Model KDTS 421 2 piece tub shower left drain.

It shall meet CSA B45.5-11, Home Innovation Research Lab, IAPMOZ124-2011, shall have the backside fire rating of "A" and a flame spread of less 25. Unit has molded soap ledges on the back wall.

Optional acrylic towel bar is available.

DUE TO THE NATURE OF THE MATERIALS INVOLVED, UNIT DIMENSIONS MAY VARY ± 1/2 INCH.

Job Name:		PRAXIS	
Approved By Print Name:		Drawing#: KDTS 421 LH 2P Tub Shower	
Approved By Signature:	Date Approved:	Date: 7-17-96	Revised: 6-4-14
Rep.:	Wholesaler:	Quote No.:	

PRAXIS INDUSTRIES, LLC.
 435 INDUSTRIAL RD - SAVANNAH, TN 38372
 1 (800) 443-7269 - FAX (731) 925-4290