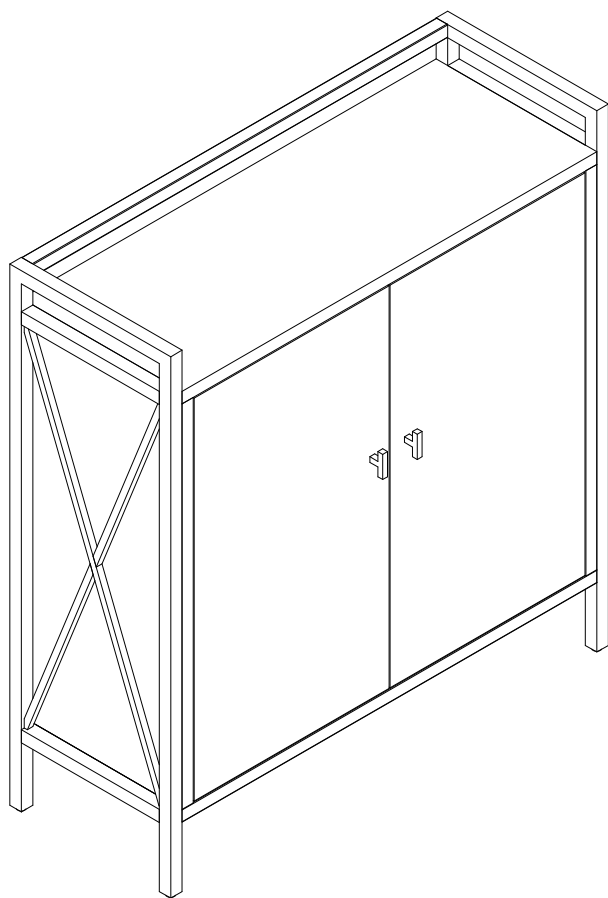


Thank you for purchasing Leick Furniture products.  
Contact customer service for comments or concerns.


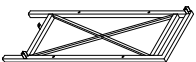

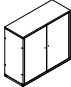
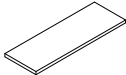




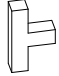



## Assembly Instructions, #9200 Claudette Foyer Cabinet

**Note:**

*A packet with complete set of hardware can be found by pulling the red ribbon that's easily visible upon opening the box.*



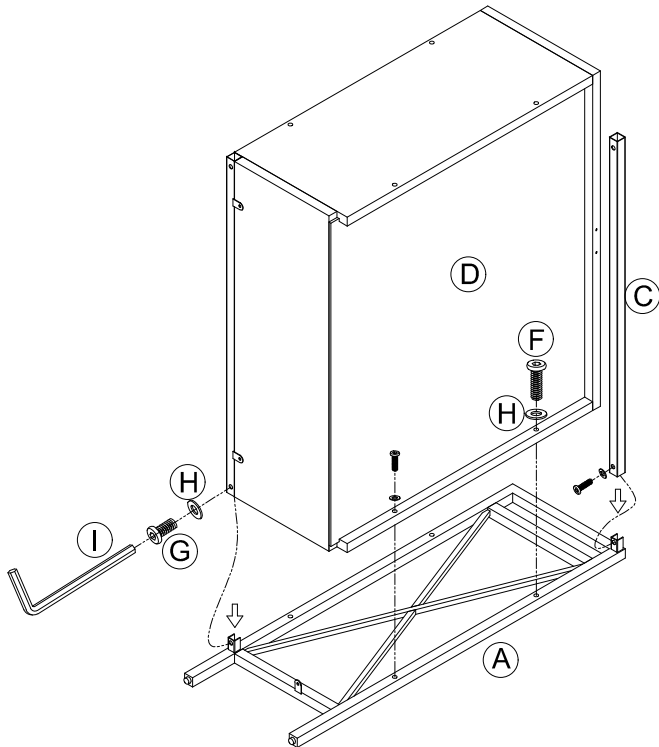
### Parts List

A	Left Side Frame		1
B	Right Side Frame		1
C	Back Gallery		1
D	Cabinet		1
E	Adjustable Shelf		1
F	Long Bolts		8
G	Short Bolts		4
H	Flat Washers		12
I	Allen Wrench		1
J	Door Pulls		2
K	Machine Screws		2
L	Shelf Supports		4
M	Anti-tipping Kit		1

## Step 1

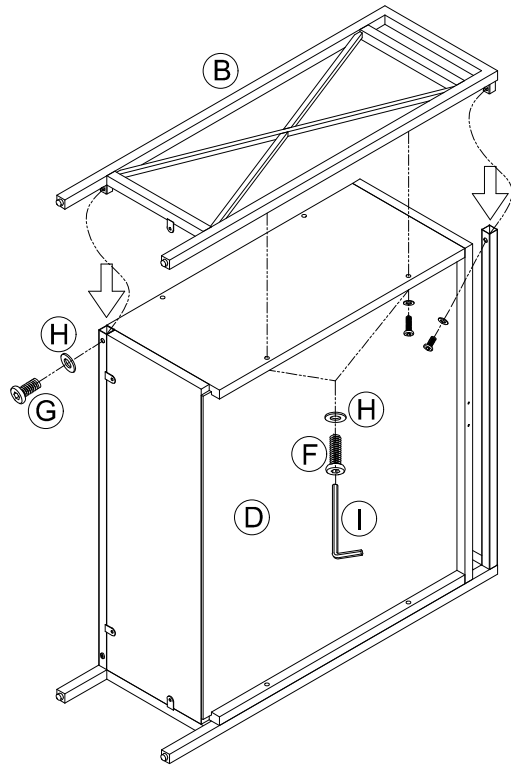
- 1.1) Lay the left side frame (A) on a soft surface, insert the back gallery (C) into left side frame's tube, fasten with one short bolt and flat washer.
- 1.2) Ask for someone's help to insert cabinet's (D) tube into left side frame's metal tubes, while aligning the back holes of cabinet's side panel into the threaded inserts of the left side frame. Fasten them with two long bolts and two flat washers.
- 1.3) Fasten the bottom of cabinet with one short bolt and flat washer.

Note: Please do not cut the string on doors until step 3.



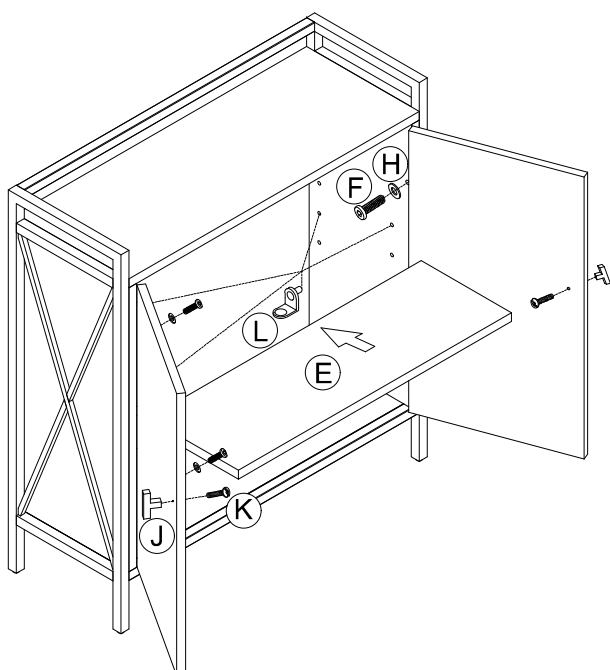
## Step 2

- 2.1) Insert one of the right side frame (B) tubes onto the cabinet's bottom tube and another in back gallery's end.
- 2.2) Push right side frame down while aligning the back holes of cabinet's side panel into the threaded inserts. Fasten the cabinet and right side frame with two long bolts on the back, one short bolts on the bottom of cabinet and one short bolt on the top of bottom top rail.



## Step 3

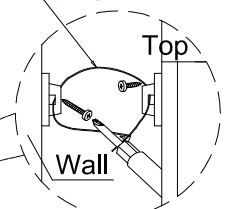
- 3.1) Turn the cabinet upright, cut the string to open the doors.
- 3.2) Fasten the cabinet and side frames with 4 long bolts and 4 flat washers from the inner holes along the front edges of cabinet's side panels.
- 3.3) Screw-in 4 shelf supports inside the cabinet's walls and put the shelf on top of them.
- 3.4) Fasten the drawer pulls with 2 machine screws from inner face of doors. Check to ensure the 2 of them are properly aligned before tightening the machine screws.



## Step 4

- 4.1) Adjust the levelers at the bottom of legs if needed.
- 4.2) Fasten one part of the anti-tipping kit onto the pre-drilled holes at back panel and another part into the wall. Loop the strap through the holes of the fastened parts and pull its end to tighten.

### Furniture Tipping Restraint



Furniture Tipping Restraint must always be used to prevent serious harm or death to children.

