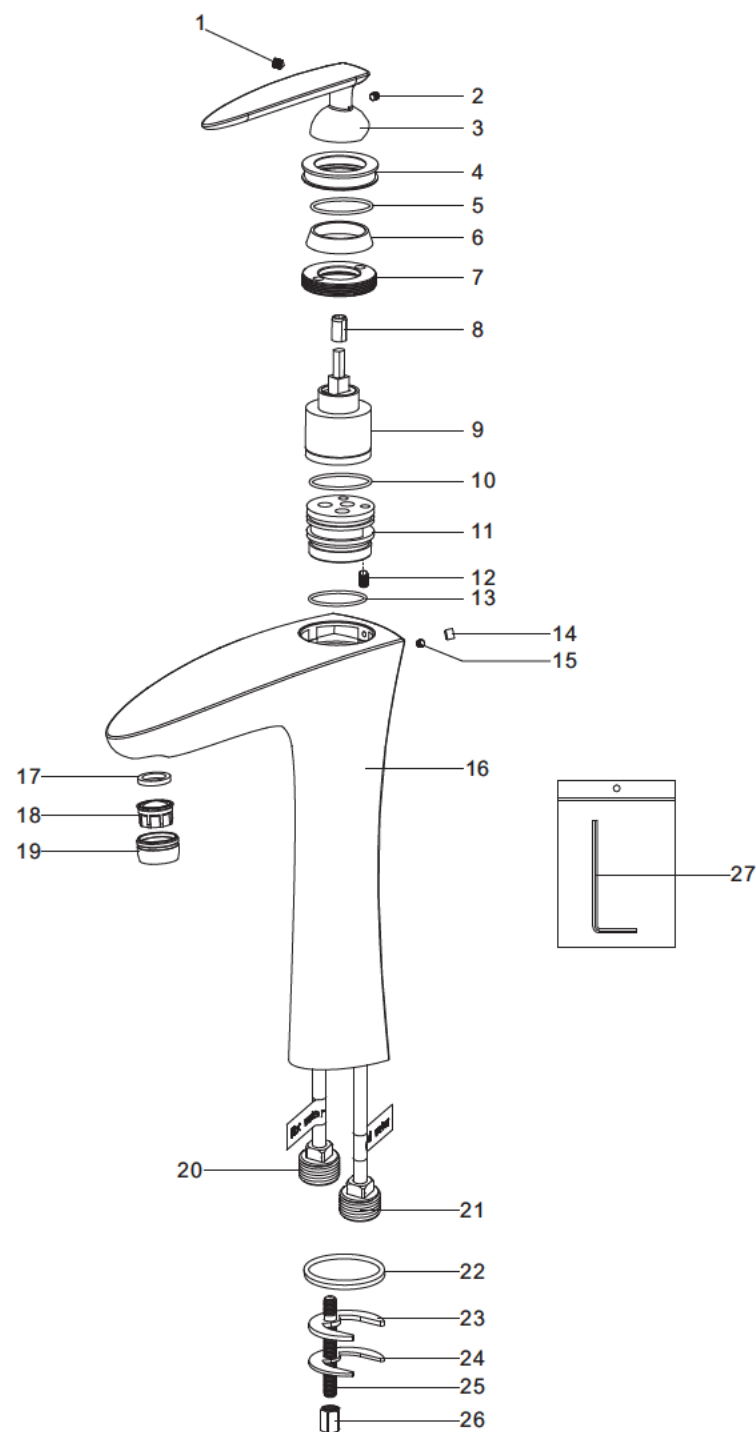
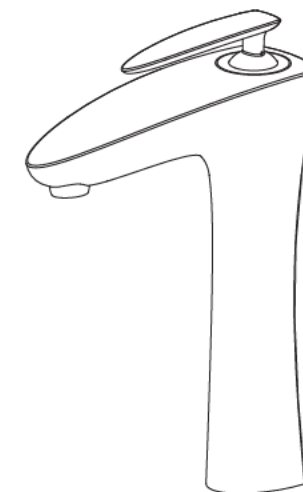


Step 4 Parts list



NO.	PART NAME
1	Screw
2	Screw
3	Handle
4	Cover
5	O ring
6	Trim cap
7	Cartridge lock nut
8	Cartridge adapter
9	Cartridge
10	O ring
11	Core
12	Screw
13	O ring
14	Index
15	Screw
16	Body
17	Washer
18	Aerator core
19	Aerator collar
20	Copper tube(hot water)
21	Copper tube(cold water)
22	O ring
23	Rubber washer
24	Clamp
25	Screw
26	Lock nut
27	Allen key

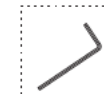
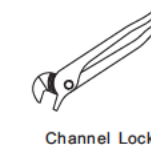
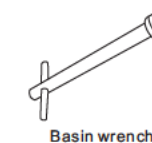


SINGLE HANDLE LAVATORY FAUCET



ASME A112.18.1/CSA B125.1

RECOMMENDED TOOLS

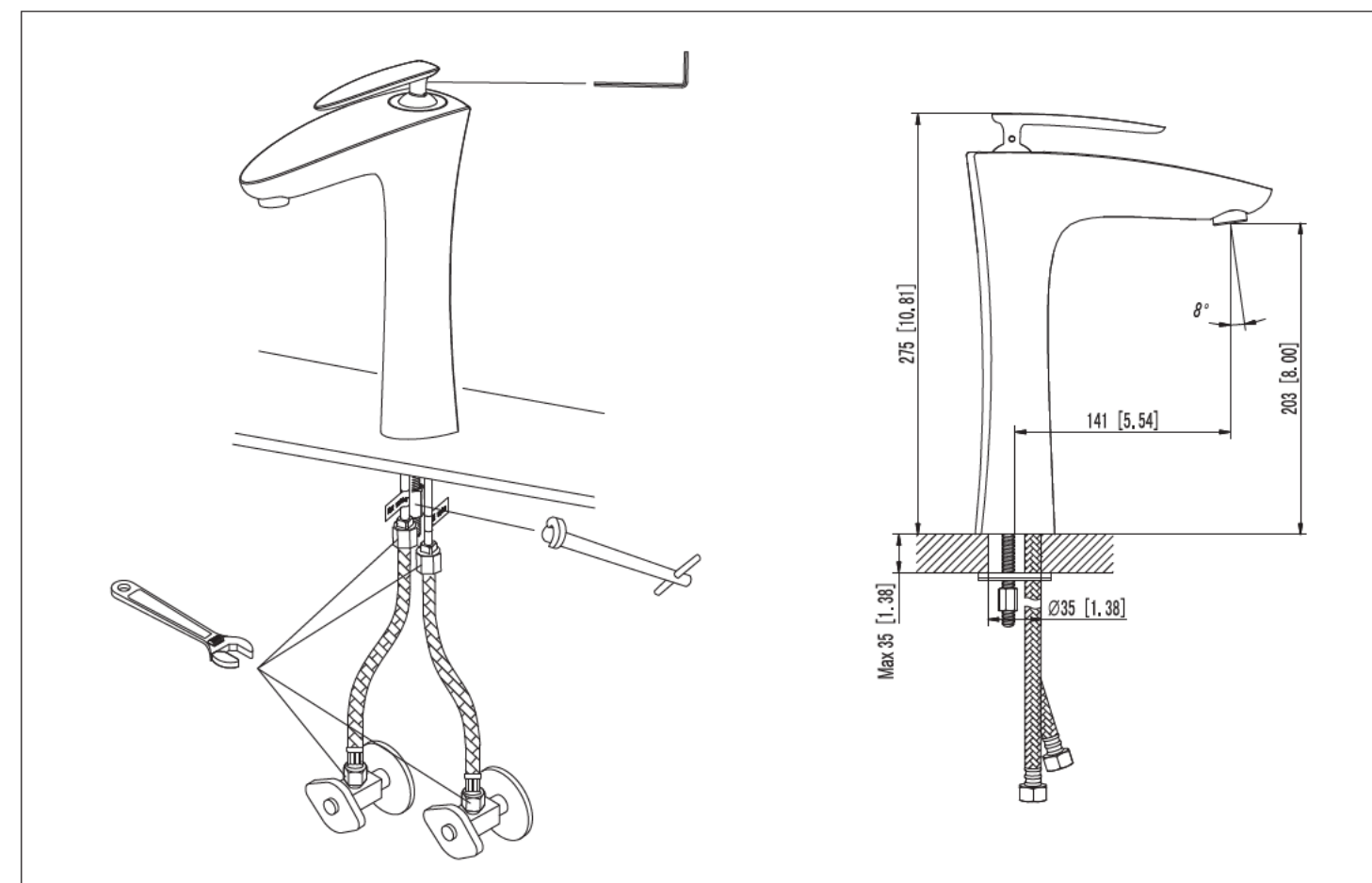


WARNING:
Please keep the tool for future use!

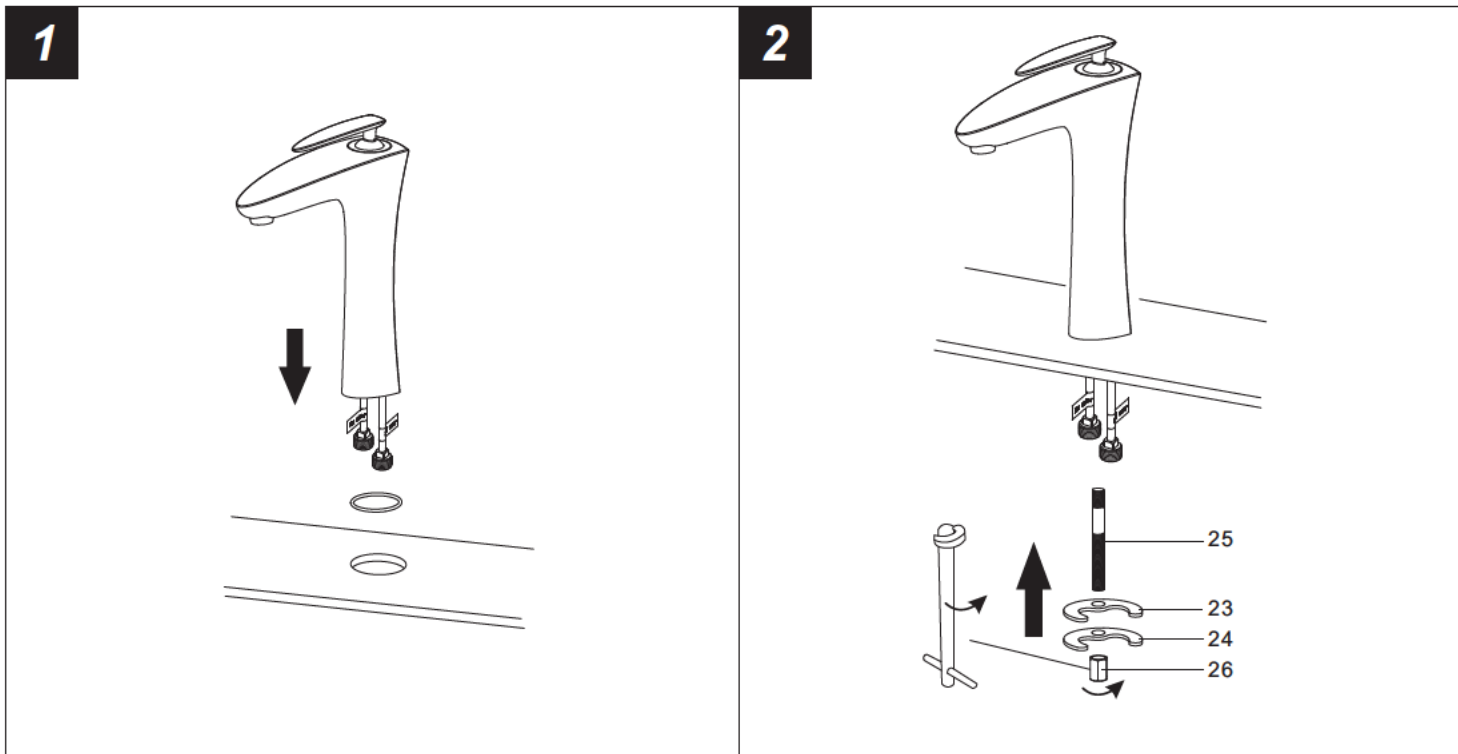


Attention:
for easy installation, you will need:
1. To read all the installation instruction completely before beginning.
2. To read all the warning, attention and maintenance information.
3. To purchase the proper supply lines.

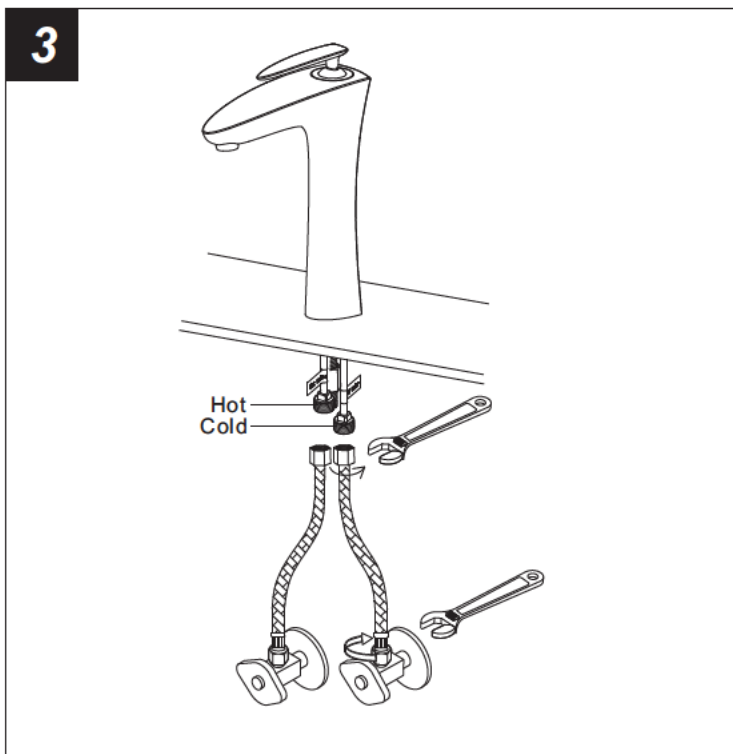
The tools might be applied to the following places:



Step 1 Faucet installation



1. Position the faucet with o-ring on the installation surface.
2. Assemble screw #25 to the base of faucet, and assemble rubber washer #23 and clamp #24 to screw #25. Then assemble lock nut #26 by basin wrench to screw #25 to fix the faucet.

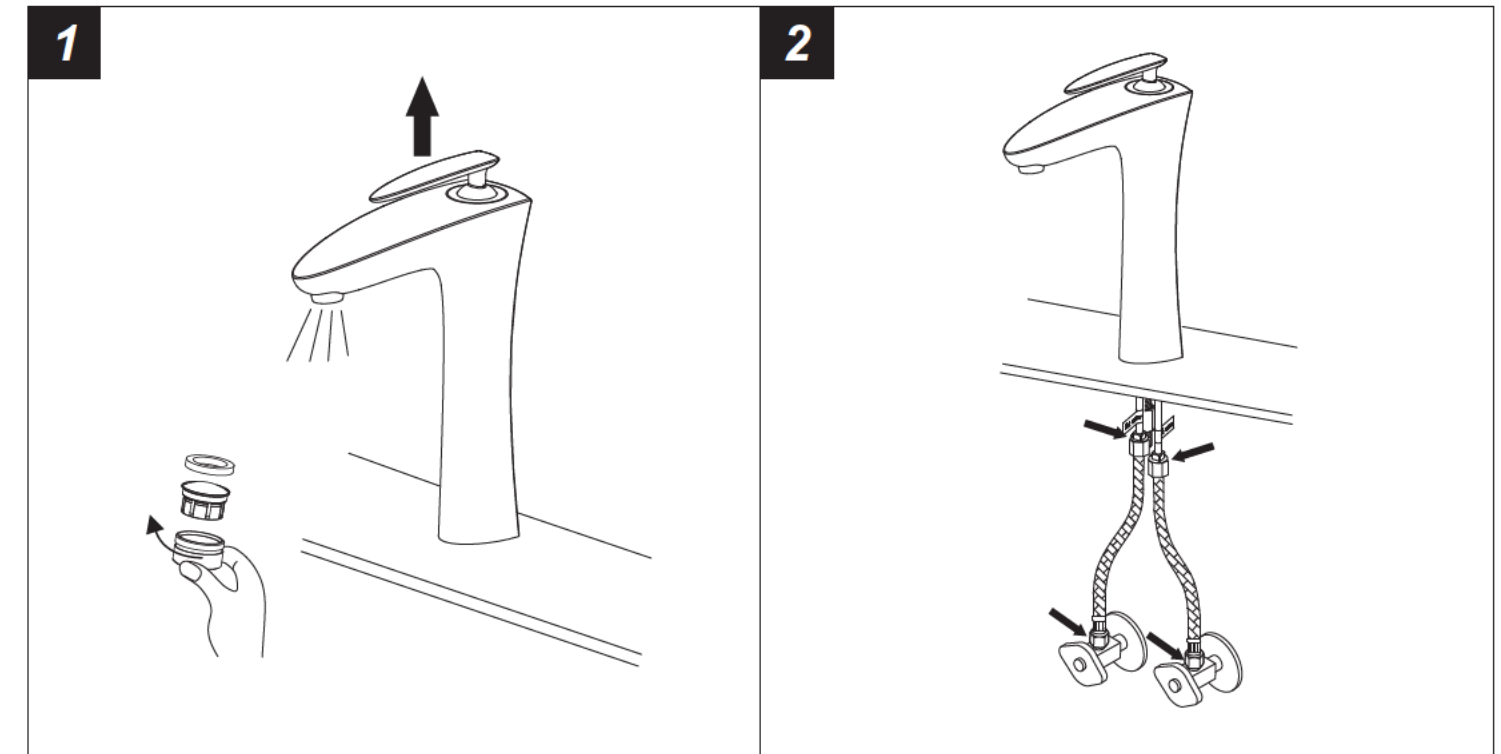


3. Connect the flexible hoses to water supply valve (not included) and copper tubes, and tighten it with adjustable wrench. **DON'T OVER TIGHTEN!** Caution: make sure connect the hot and cold flexible hose to supply valves correctly.

Warning:

The supply valves are not included, please purchase them in plumb shop.

Step 2 Checking and testing



1. Remove the aerator by hand. Turn the faucet handle all the way on, turn on hot and cold water supply and flush water lines for one minute. Reinstall aerator by hand.
2. Check all connections at arrows for leaks, re-tighten it if necessary. **BUT DON'T OVERTIGHTEN!**

Step 3 Cleaning and care

Daily cleaning and care are required in order to keep the product shining and properly working.

1. Clean it with water and dry it with soft cloth.
2. Clean the product with gentle liquid or glass cleaner.
3. Don't use acid cleaner.
4. Don't clean with abrasive material, abrasive paper or knife.