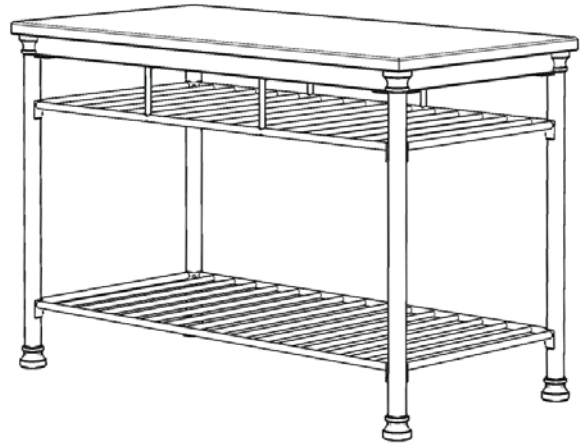


homestyles®

88 5060 942

# Kitchen Island



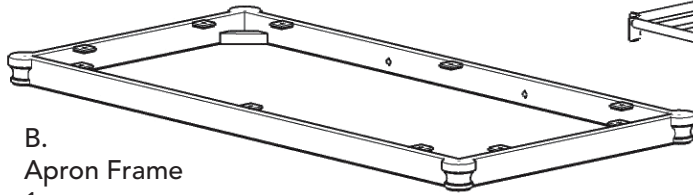
## IMPORTANT

Carefully remove all the parts from the carton and place them individually on a soft cloth to prevent scratches or other damage.

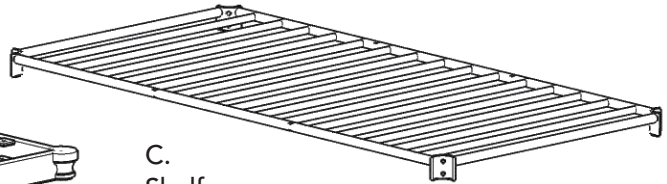
Carefully and strictly follow these assembly instructions to ensure a completed product as designed.

Do not use power tools above 8 volts to assemble.

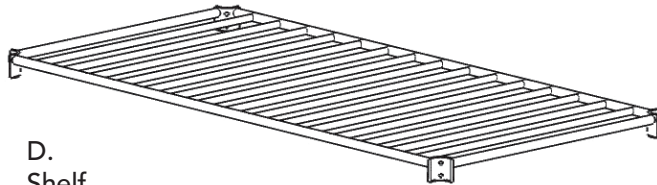
## Part List



B.  
Apron Frame  
1 pc.



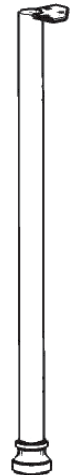
C.  
Shelf  
1 pc.



D.  
Shelf  
1 pc.



E.  
Support  
4 pcs.



F.  
Leg  
4 pcs.

## Hardware List



Hex Wrench  
1 pc.



Spring Washer  
14 pcs. (+1 extra)



M6x19  
Head Cap Bolt  
14 pcs. (+1 extra)



M6x19  
Head Cap Bolt (short)  
28 pcs. (+1 extra)



Small Hex Wrench  
1 pc.



Flat Washer  
14 pcs. (+1 extra)



M6x32  
Head Cap Bolt (long)  
4 pcs. (+1 extra)

Carton 88 5060 94Q1 or 88 5061 941 is also needed for assembly.

Tool(s) required for assembly: Phillips screwdriver, Level

Home Styles Customer Service: [www.homestyles-furniture.com](http://www.homestyles-furniture.com),  
[servicedesk@homestyles-furniture.com](mailto:servicedesk@homestyles-furniture.com), 888-680-7460, 877-831-0319

## Assembly Instructions 2/3

### IMPORTANT

- Use a soft cloth between these parts and the floor.
- Do not use power tools above 8 volts to assemble.
- Do not tighten all the bolts until each part is properly assembled.
- The unit must be level to work properly. Use the included adjustable levelers to level.
- Keep Hex Wrench in a safe place as the bolts may need to be tightened up in the future.

### STEP 1

Attach Legs (F) to Shelves (C) and (D) with Head Cap Bolts (short), tightening the bolts only half way. (See Figure 1)

Tighten all Head Cap Bolts.

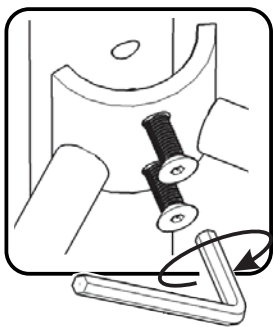


Figure 1

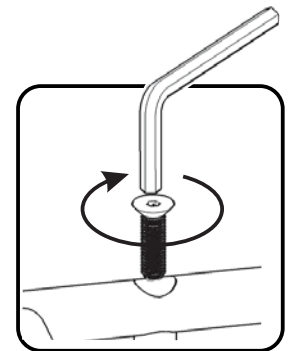
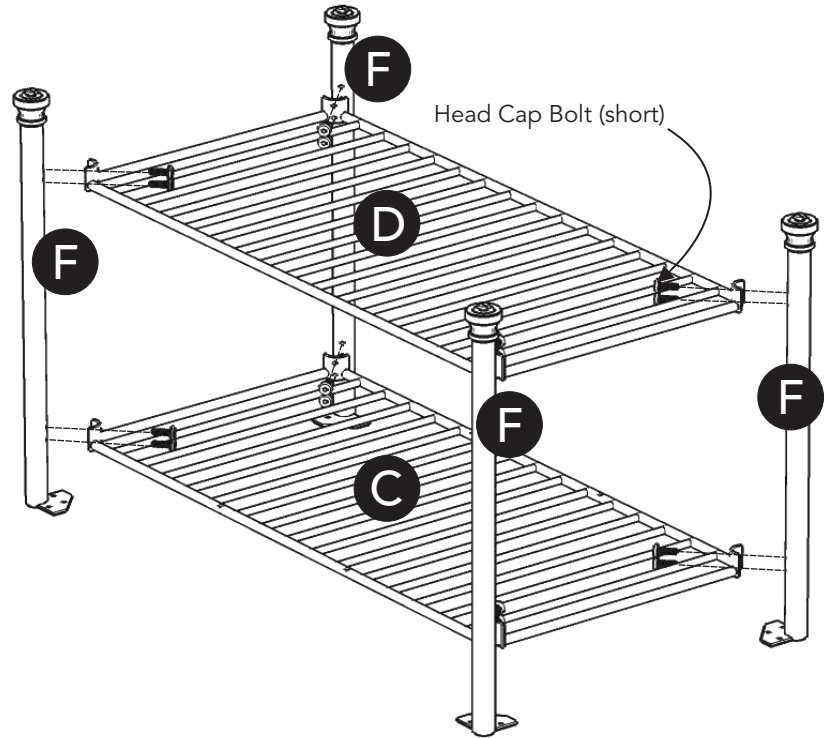
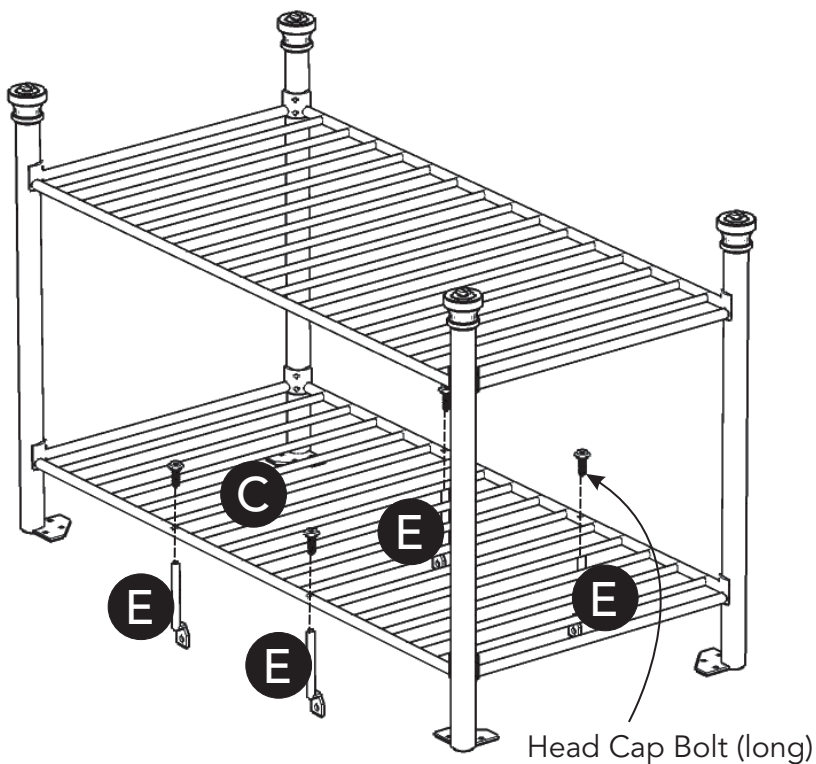


Figure 2



### STEP 2

Attach Supports (E) to Shelf (C) with Head Cap Bolts (long), tightening the bolts only half way. (See Figure 2)

# Assembly Instructions 3/3

## STEP 3

Place Top (A) upside down on a soft cloth.

Attach the Apron Frame (B) to Top (A) with Flat Washers, Spring Washers and Head Cap Bolts, tightening the bolts only half way. (See Figure 3)

Tighten all Head Cap Bolts used in this step.

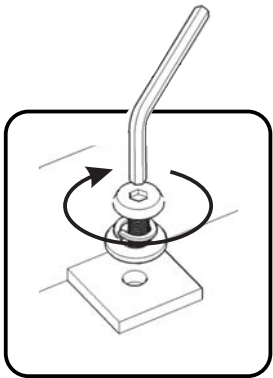
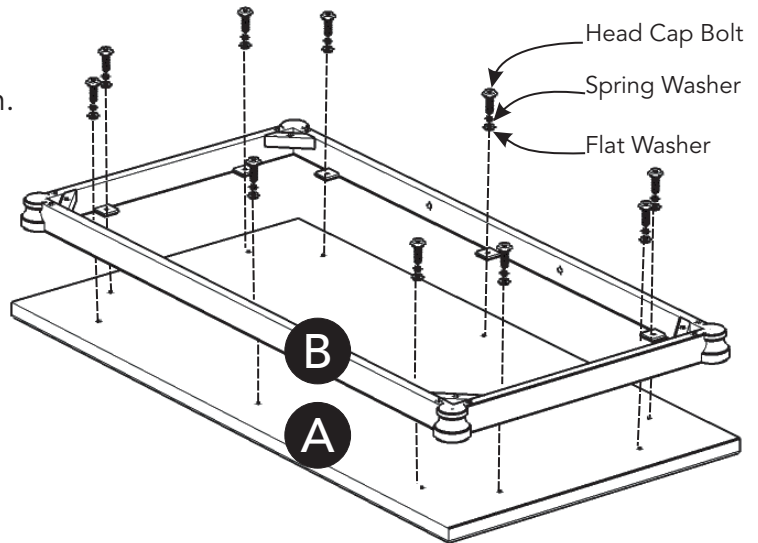


Figure 3

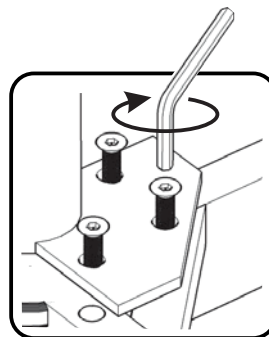


Figure 4

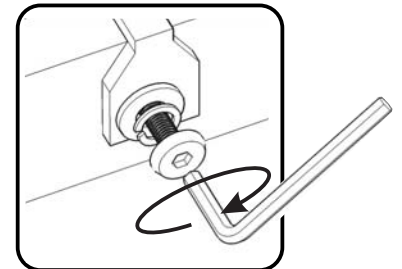


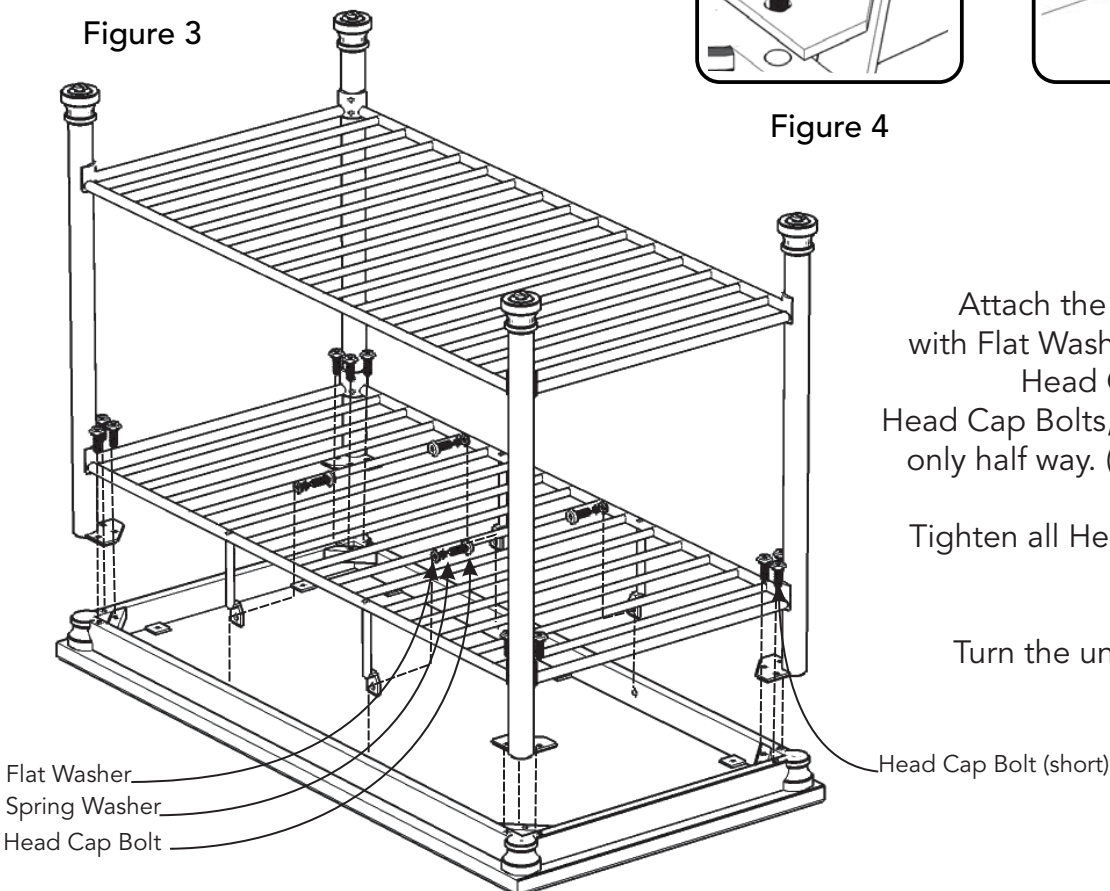
Figure 5

## STEP 4

Attach the base unit to top unit with Flat Washers, Spring Washers, Head Cap Bolts (short) and Head Cap Bolts, tightening the bolts only half way. (See Figures 4 and 5)

Tighten all Head Cap Bolts used in Steps 2 and 4.

Turn the unit over to its' upright position.



## STEP 5

To level the unit, adjust the adjustable levelers on the bottom of unit. (See Figure 6)

Note: Unit must be level to work properly.

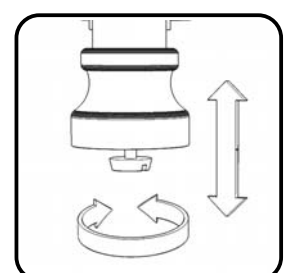


Figure 6

# CARE INSTRUCTIONS

## NEVER

allow liquids to remain on furniture.  
Absorption causes parts to warp  
and split and finishes to delaminate.

## NEVER

use glass cleaners on  
finished furniture. Ammonia  
chemically attacks the finish.



Do not use power tools  
above 8 volts to assemble.  
**PREVENT  
CRACKING**



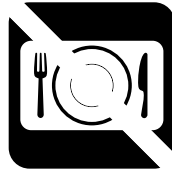
Do not place  
in direct sunlight.  
**PREVENT  
FADING**



Do not write  
directly on surface.  
**PREVENT  
MARKING**



Do not place hot  
objects on surface.  
**PREVENT  
FINISH DAMAGE**



Do not use rubber  
based placemats.  
**PREVENT  
DISCOLORING**



Do not use commercial  
waxes and polishes.  
**PREVENT  
YELLOWING**

## CLEAN

with a soft cloth moistened  
in lukewarm soap and water.  
Buff with a dry clean cloth.



Home Styles will provide replacements free of charge for missing or damaged hardware or parts within 30 days of purchase. Digital images of the defective parts may be required. If the product was not purchased from an authorized retail affiliate, Home Styles is under no obligation to provide replacement parts. Parts are not available for fully assembled items nor are parts available for sale. Replacements for missing or damaged hardware or parts may be requested at:

[www.homestyles-furniture.com/customer-service/replacement-parts](http://www.homestyles-furniture.com/customer-service/replacement-parts)

Home Styles Customer Service: [www.homestyles-furniture.com](http://www.homestyles-furniture.com),  
[servicedesk@homestyles-furniture.com](mailto:servicedesk@homestyles-furniture.com), 888-680-7460, 877-831-0319