

AXOR ShowerSolutions
Shower Module 5" x 5" Square
Finishes : **chrome** Part no. : **28491001**



Description

Features

- 3-position adjustable spray
- Flow: 2.5 GPM (9.5 L/Min)
- In a joined installation (10mm distance) the use of basic set no. 28486181 is recommended
- In a freely arranged installation, connection via a G ½ inner thread is possible

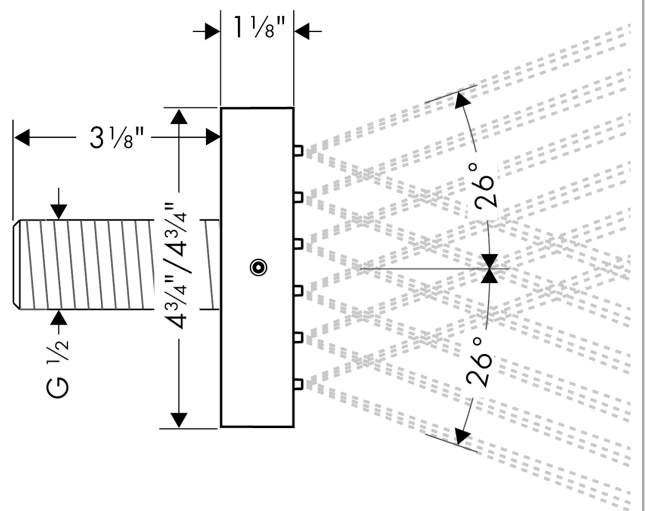
Technology



Product image



Scale drawing

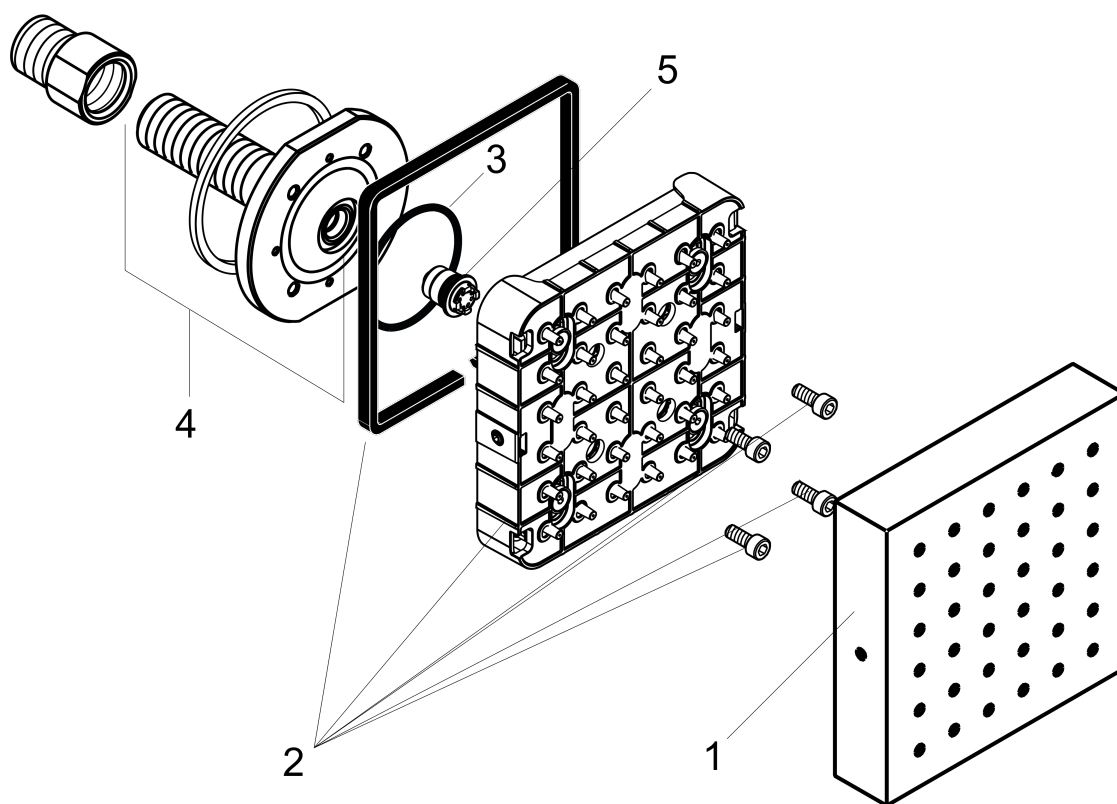


AXOR ShowerSolutions
Shower Module 5" x 5" Square
Finishes : **chrome** Part no. : **28491001**



Exploded drawing

Year of production: >04/09



AXOR ShowerSolutions
Shower Module 5" x 5" Square
 Finishes : **chrome** Part no. : **28491001**



Spare parts list

Year of production: >04/09

Pos.	Description	Part no.	PC	PU
1	frontcover	95362000	0	1
2	spray body	95361000	0	1
3	O-ring 41x2	98212000	0	1
4	connecting thread	95364000	0	1
5	flow limiter / non return valve	95363000	0	1
a	extension 25 mm	95413000	0	1