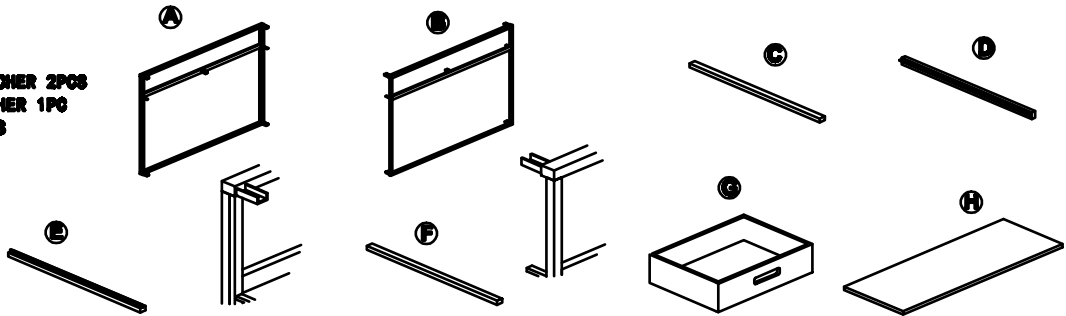


BRADLEY CONSOLE TABLE ASSEMBLY INSTRUCTIONS



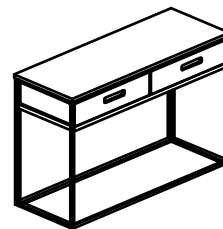
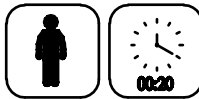
PARTS PACKING CONFIGURATIONS

- A. BACK SIDE PANEL 1PC
- B. FRONT SIDE PANEL 1PC
- C. TOP STRETCHER 2PCS
- D. MIDDLE OUTSIDE STRETCHER 2PCS
- E. MIDDLE INSIDE STRETCHER 1PC
- F. BOTTOM STRETCHER 2PCS
- G. DRAWER 2PCS
- H. TOP 1PC

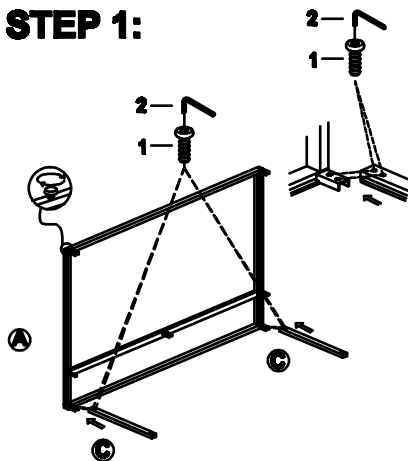


HARDWARE ENCLOSED IN CARTON

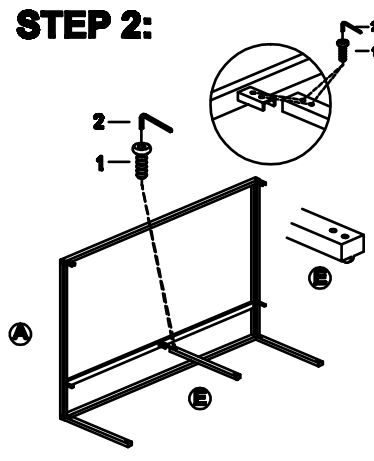
No	Description	Photo	Quantity
1	ALLEN BOLT (1/4 x 1-1/2)		28 PCS
2	ALLEN KEY		1 PC
3	WOOD SCREW		18 PCS



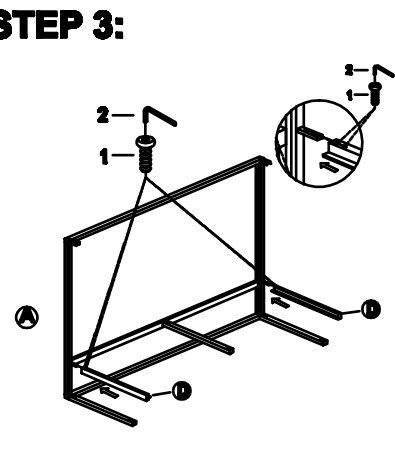
STEP 1:



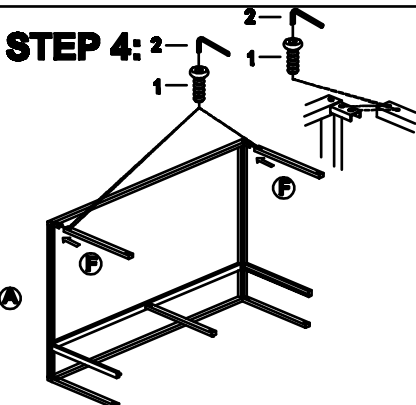
STEP 2:



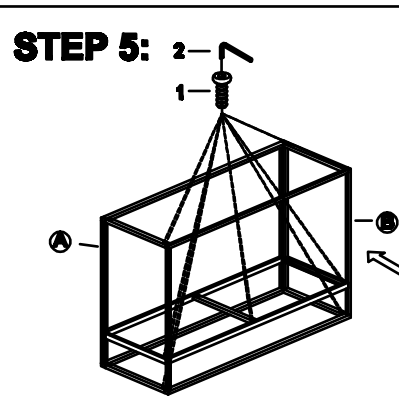
STEP 3:



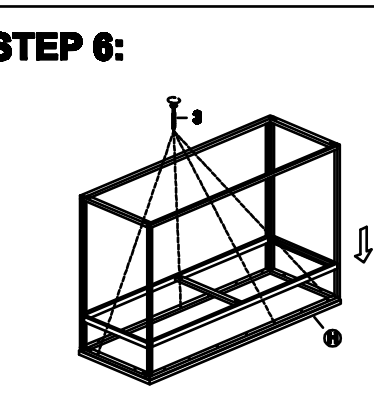
STEP 4:



STEP 5:



STEP 6:



STEP 7:

FULLY ASSEMBLED

