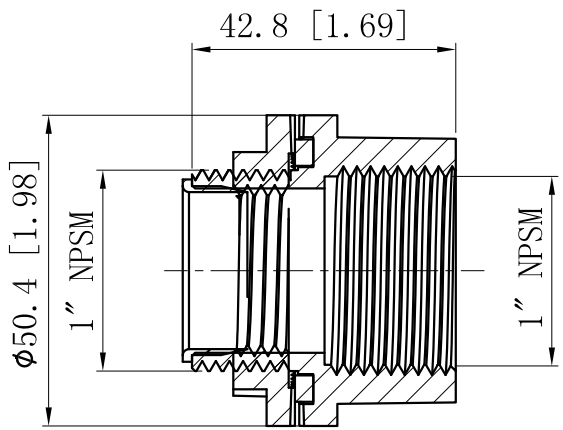
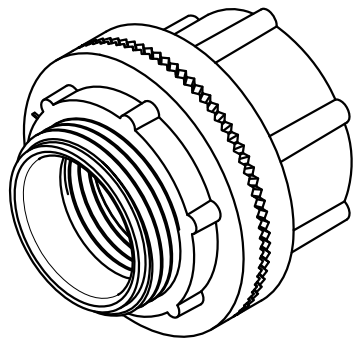
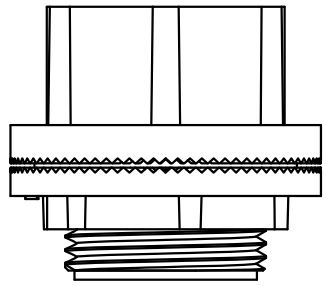
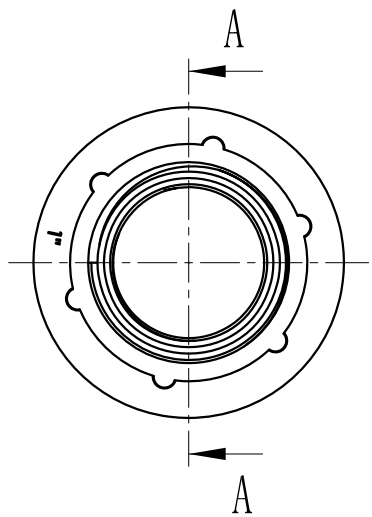


SIDES	BOTTOM
Material: 316 Stainless steel	



CUTAWAY VIEW A-A



DESCRIPTION
TRADE REFERENCE TERMS

This data sheet is for reference only .GARVIN INDUSTRIES reserves the right to make changes to the design without prior notice.

STANDARD PACKING	<h1 style="text-align: center;">GARVIN INDUSTRIES</h1>		
10 PCS			
	SIZE	DWG NO.	REV
	A4	WH100-SS	
	DATA SHEET		