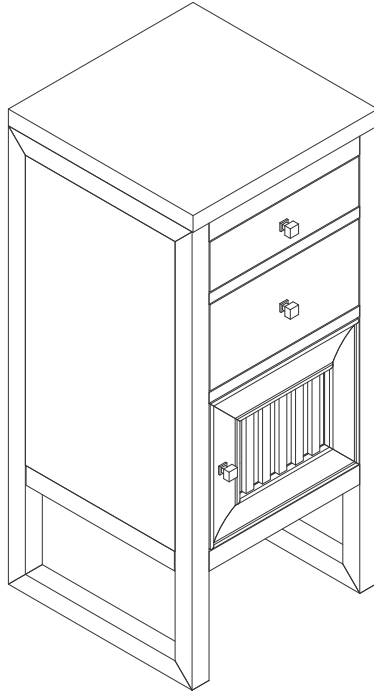


# 15" ATHENS CABINET WITH DRAWERS & DOOR - RIGHT

**JAMES MARTIN**  
VANITIES

E645-B15R-GW



## Features and Materials

Solids: Yellow Poplar

Panels: MDF

Installation Type: Floor Standing

Vanity Top Included: NO, Optional 3cm Tops Available

Number of Doors: One

Number of Drawers: Two

AssemblyType: Optional 3cm Top

Assembly Type: Optional Hutch attached with anti tipping bracket (hardware included)

Door Panel: Reversible. One Side Finished in Glossy White, One Side Natural Cork (Pattern: Patchwork)

Drawer Box Material and Construction: 12mm Plywood/English Dovetail Joinery

Hardware Material and Finish: Zinc Alloy in Polished Chrome

Full Extension, Soft Close Glides

European Soft Close Hinges

Aluminum Laminate Drawer Liners

Adjustable Levelers

## Dimension

Width: 15"

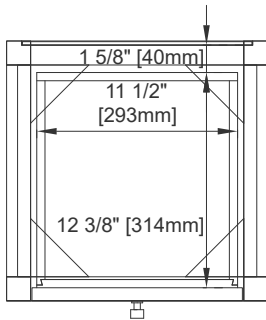
Depth: 15"

Height: 32-1/4"

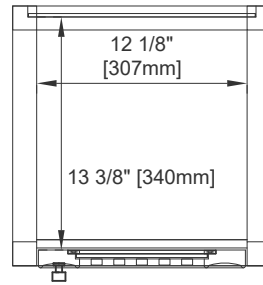
# 15" ATHENS CABINET WITH DRAWERS & DOOR - RIGHT

# JAMES MARTIN VANITIES

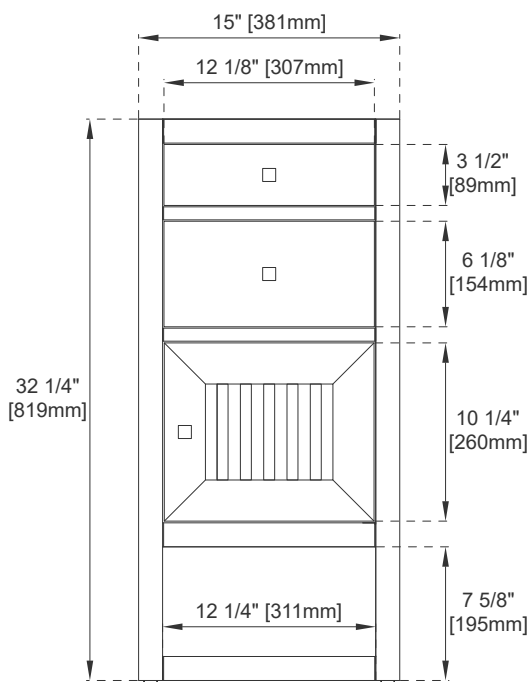
E645-B15R-GW



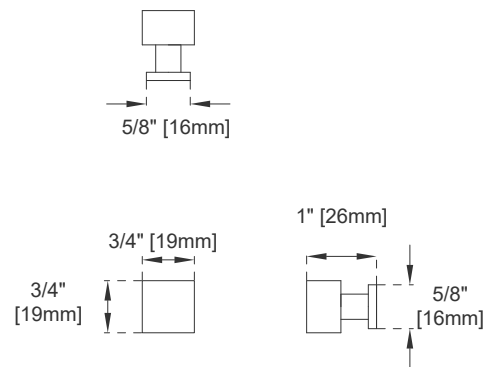
Top View



Top View 2



Front View



Knob

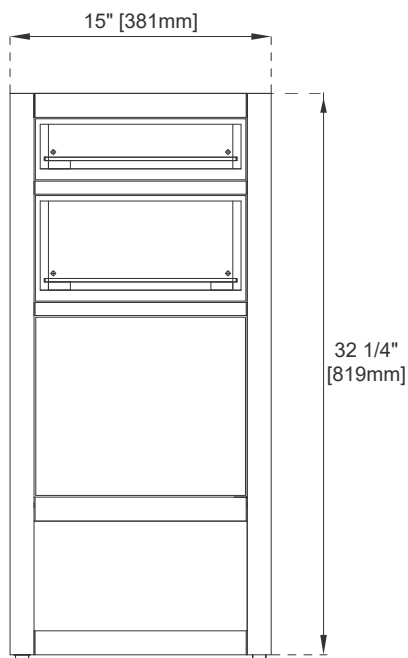
All dimensions are nominal  
Diagrams are of cabinet only—James Martin Optional Countertops are not shown

Visit website for warranty and installation information  
[www.jamesmartinvanities.com](http://www.jamesmartinvanities.com)

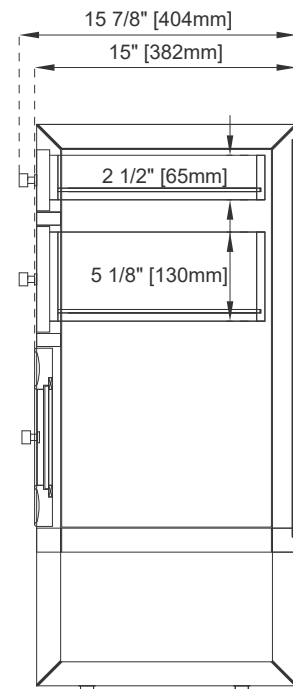
# 15" ATHENS CABINET WITH DRAWERS & DOOR - RIGHT

E645-B15R-GW

# JAMES MARTIN VANITIES



Back View



Side View

All dimensions are nominal  
Diagrams are of cabinet only—James Martin Optional Countertops are not shown

Visit website for warranty and installation information  
[www.jamesmartinvanities.com](http://www.jamesmartinvanities.com)