

Thank you for choosing Sunnydaze Decor. We stand behind our brand and the quality of the items we sell. Replacement parts or products can be requested with the 1-year warranty period. Proof of purchase must be provided. This includes the date of the purchase as well as photos of the product defect. Photos are used to determine the cause of the defect and to provide future quality control. The request will be reviewed, and replacement pieces will be sent at our discretion. For warranty information, visit <https://tiny.cc/SunnydazeWarranty>

If you have any questions, comments or concerns, feel free to contact us by phone at 833-982-1977, by email: [customerservice@sunnydazedecor.com](mailto:customerservice@sunnydazedecor.com), or via our contact us page at <https://tiny.cc/SunnydazeContact>

# PAGODA STYLE OUTDOOR FIREPLACE

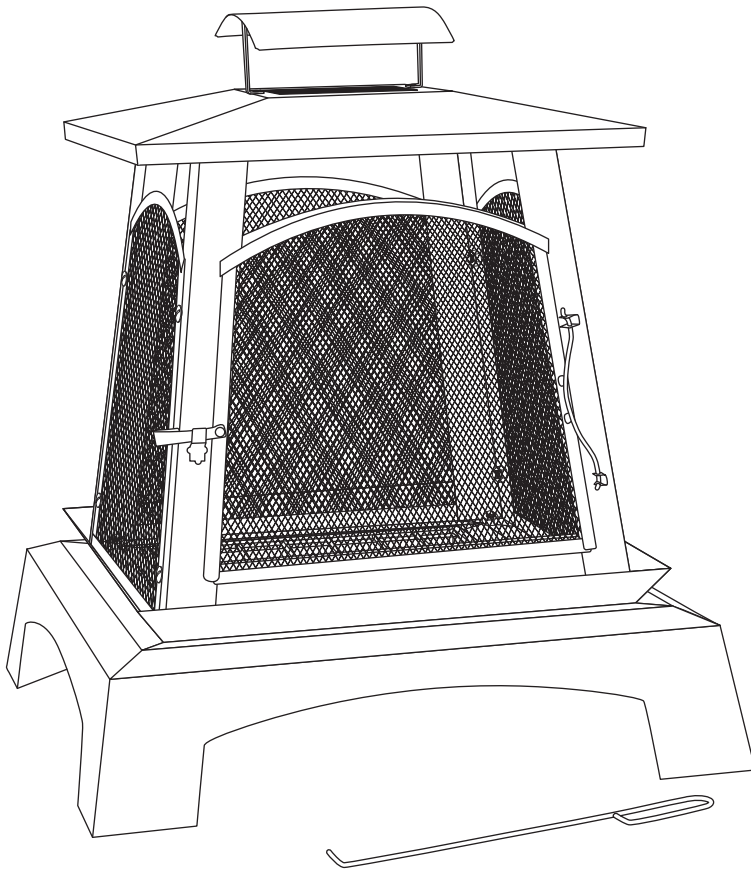
## KF-499



Review all assembly and care information before using this product.  
Save this manual for future reference.



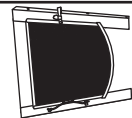



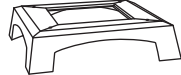



**Assemble components on a soft, clean surface to avoid damaging the finish.**








**SCAN THIS CODE WITH YOUR SMARTPHONE TO VIEW OUR ASSEMBLY VIDEO**



 **Inspect packaging to ensure all parts are accounted for before disposing of packing materials.**  
 Save the packing slip.

| No. | PARTS   |              | QTY. |
|-----|---|--------------|------|
| A   |    | Cap          | 1    |
| B   |    | Top          | 1    |
| C   |   | Front Screen | 1    |
| D   |  | Side Screen  | 2    |
| E   |  | Back Screen  | 1    |
| G   |   | Base Panel   | 1    |
| H   |   | Leg Panel    | 1    |
| J   |  | Cover        | 1    |
| M   |  | Log Grate    | 1    |
| N   |  | Ash Pan      | 1    |

| RECOMMENDED TOOLS (not included)  |                     |
|---|---------------------|
|  | Regular Screwdriver |

| No. | HARDWARE & TOOLS  |                | QTY. |
|-----|---|----------------|------|
| T   |  | 1/4"x5/8" Bolt | 18   |
| U   |                        | Washer         | 18   |
| V   |                        | Nut            | 18   |
| Y   |                        | Spanner        | 1    |
| Z   |                         | Poker          | 1    |

**⚠ WARNING ⚠**  
**CHOKING HAZARD** — This item contains small parts that can be swallowed. Keep children and pets away during assembly.

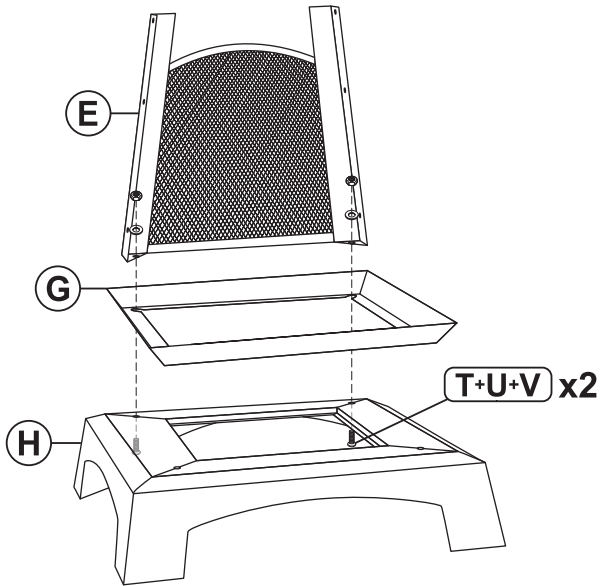
**⚠ WARNING:**  
 Manufacturer and seller expressly disclaim any and all liability from personal injury, property damage or loss, whether direct or indirect, or incidental, resulting from the incorrect attachment, improper use, inadequate maintenance, or neglect of this product.

# ASSEMBLY

Review all steps and understand assembly before beginning.

## STEP 1

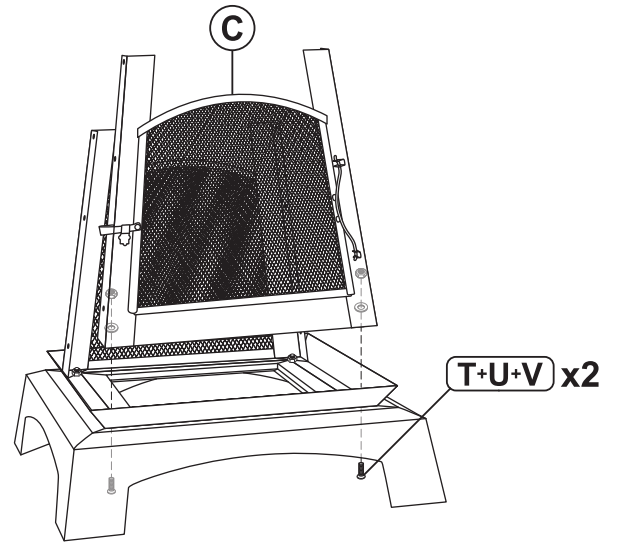
E: 1  
G: 1  
H: 1  
T: 2  
U: 2  
V: 2



Place Base Panel (G) on Leg Panel (H) and fasten Back Screen (E) using two Bolts (T), Washers (U), and Nuts (V).

## STEP 2

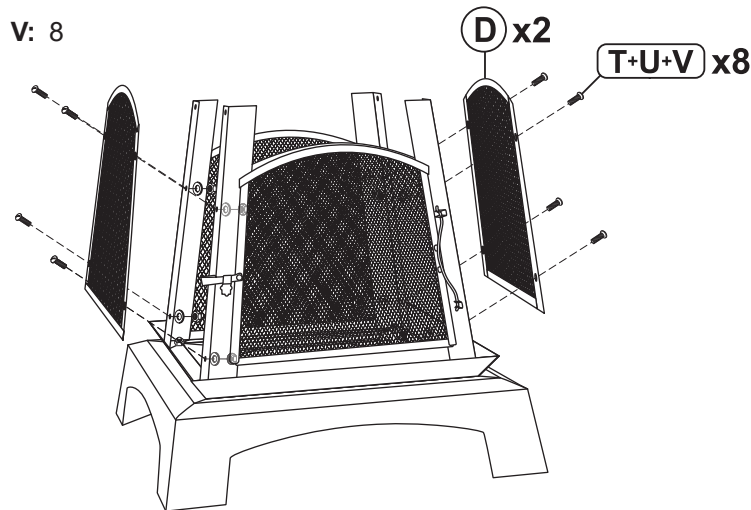
C: 1  
T: 2  
U: 2  
V: 2



Fasten Front Screen (C) using two Bolts (T), Washers (U), and Nuts (V), as shown.

## STEP 3

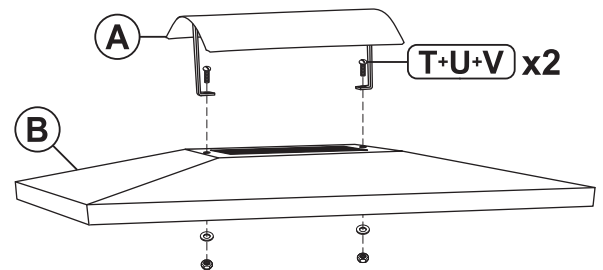
D: 2  
T: 8  
U: 8  
V: 8



Secure each Side Screen (D) using four Bolts (T), Washers (U), and Nuts (V).

## STEP 4

A: 1  
B: 1  
T: 2  
U: 2  
V: 2



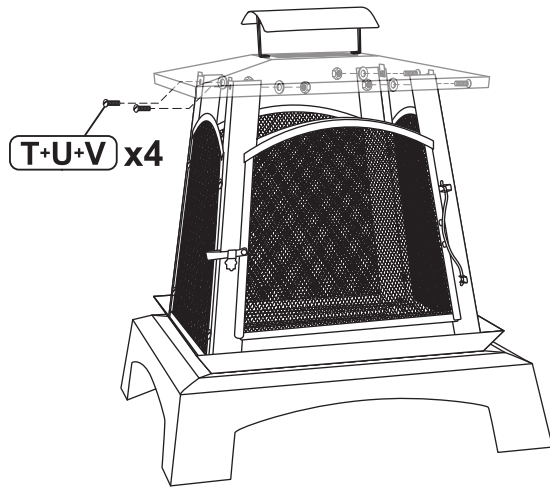
Fasten Cap (A) to Top (B) using two Bolts (T), Washers (U), and Nuts (V).

## STEP 5

T: 4

U: 4

V: 4

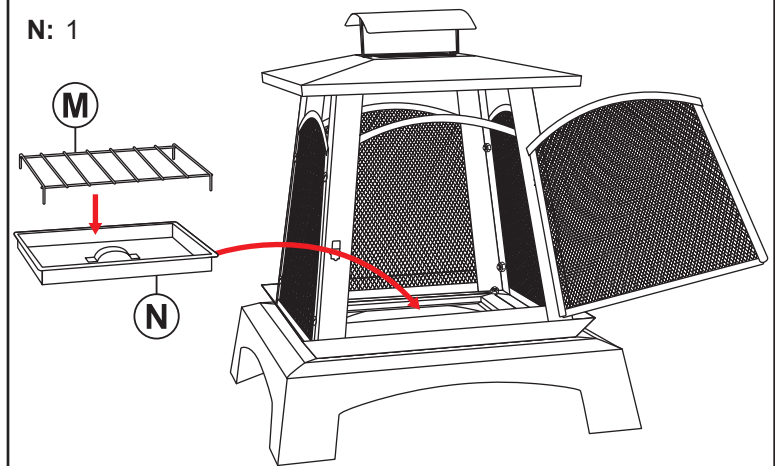


Fasten the top to the front and back screen using four Bolts (T), Washers (U), and Nuts (V).

## STEP 6

M: 1

N: 1



Place Ash Pan (N) inside the fireplace.  
Insert Log Grate (M) into the ash pan.

# CARE & MAINTENANCE

**SAFE USE:** Only use fire pits on a flat, non-combustible surface such as concrete, rock, or stone. Do not use this fire pit on a wood deck or any other combustible surfaces like dry grass, leaves, mulch, etc. Never use in an area with an overhead structure or near any unprotected combustible constructions like vinyl or wood siding. Avoid using near or under overhanging trees and shrubs.

The fire pit will become extremely hot while in use. Always use the poker tool and heat-resistant gloves when maintaining a fire.

**NO ACCELERANTS, NO PLASTICS:** Never use an accelerant, i.e. gasoline or kerosene, to start a fire; doing so is dangerous and can damage your fire pit.

Never use any plastic materials in or near a fire pit. The emissions from burning plastic are toxic. Additionally, plastic residue is very difficult to remove.

**EXTINGUISH:** Let fire die down gradually and go out on its own. DO NOT use water to put out a fire as the sudden drop in temperature may cause serious injury and/or damage the metal.

**EXPOSURE & MAINTENANCE:** Long-term exposure to high-intensity heat can cause the mesh screens to warp and the high-temperature paint to flake or burn off the steel. If the steel is exposed to moisture, it will rust. As with any outdoor steel product, periodic maintenance is required to maintain integrity and appearance. Remove rust and refinish with a suitable high-temperature paint; carefully follow the paint manufacturer instructions and ensure the paint is completely dry before using the unit again.

**CLEANING:** Remove ashes and debris before every use. Ensure the fire pit and ashes are completely cool before cleaning. Ashes can remain hot long after a fire dies down. If you feel heat when your hand is close to the metal or the ashes, the unit is too hot to clean.

**COVER AND STORE:** Ensure the unit is completely cool and clean before covering. Do not allow the fire pit to be exposed to water. Store this unit in a dry location to protect it from environmental elements. The manufacturer is not liable for damage resulting from general use and/or environmental conditions.

**WARNING: THE ONE-YEAR WARRANTY DOES NOT COVER DAMAGES OR DEFECTS CAUSED BY THE APPLICATION OF CHEMICAL TREATMENTS, PROTECTIVE COATINGS, TOUCH-UP PAINT, OR CLEANING PRODUCTS.**

## WARNING:

Manufacturer and seller expressly disclaim any and all liability from personal injury, property damage or loss, whether direct or indirect, or incidental, resulting from the incorrect attachment, improper use, inadequate maintenance, or neglect of this product.

## SAFETY STATEMENTS & WARNINGS

- For outdoor use only. Never use this product in an enclosed area.
- Always follow local laws and regulations when using wood-burning fire pits.
- Exercise the same care and precautions as you would with an open fire.
- Always supervise children and pets when they are in proximity of this product, whether it is in use or not in use.
- Never use any fire pit during dry or windy conditions.
- Keep unit a safe distance away from buildings, balconies, or overhangs when in use.
- Do not use on or near combustible surfaces or structures such as wood decks, dry leaves or grass, mulch, vinyl or wood siding, etc.
- Only use this unit on a level, non-combustible surface.
- Keep away from all combustible materials including gasoline and other flammable liquids and vapors.
- Never use accelerants such as, but not limited to, gasoline, alcohol, paint thinners, kerosene, as this may cause serious injury or product damage.
- Do not overfill or use this unit or use it to burn leaves or trash.
- This unit becomes very hot when in use. Ensure the unit is completely cool before cleaning or moving.
- Never leave unit unattended while hot or in use.
- Extinguish the fire properly before leaving the unit unattended. If necessary, use a fire extinguisher or sand to smother the fire. NEVER use water to extinguish hot fires or embers as doing so may cause serious injury and/or permanently damage the product.
- Ashes can remain hot for a long time after fire is extinguished. Dispose of cold ashes properly.
- Ensure the unit is completely cool before covering, failure to do so will damage the cover and the unit.
- DO NOT USE CHEMICAL-BASED CLEANERS as this may damage the product and/or ignite a flame during the next use.
- Contact local authorities regarding possible burn restrictions before using this product.

**Any modification to the product or failure to follow recommended care will void the product warranty.**

*If you experience issues with assembly or the product was damaged during shipping, please contact our customer service team through one of the methods mentioned at the top of page 1.*

*Please have the item number and order information ready to expedite response time.*

## WARNING:

**Manufacturer and seller expressly disclaim any and all liability from personal injury, property damage or loss, whether direct or indirect, or incidental, resulting from the incorrect attachment, improper use, inadequate maintenance, or neglect of this product.**