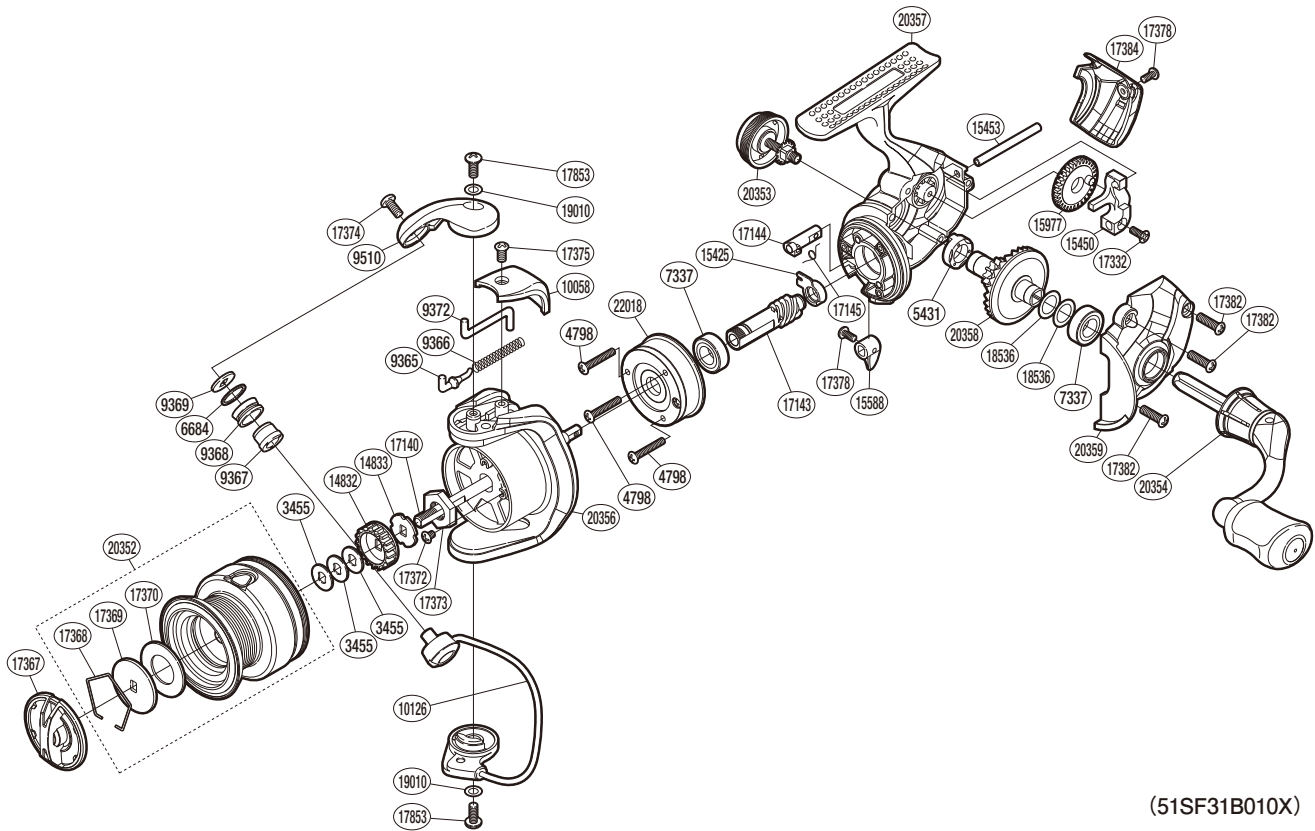


SHIMANO

FX

FX1000FC



(51SF31B010X)

#	Part No.	Description	#	Part No.	Description	#	Part No.	Description
3455	10BXN	Spool Washer	15425	1074K	Pinion Gear Bushing	17374	10K90	Screw
4798	103C6	Screw	15450	10G64	Oscillating Slider	17375	10LFQ	Screw
5431	10GMX	Drive Gear Bushing	15453	10359	Oscillating Guide	17378	10L1R	Screw
6684	10KFD	Line Roller Spacer	15588	10AP0	Anti-Reverse Lever	17382	10L6J	Screw
7337	107AR	Ball Bearing	15977	10G9M	Oscillating Gear	17384	10R3N	Rear Protector
9365	105LS	Bail Spring Guide A	17140	103NS	Main Shaft	17853	10LFH	Screw
9366	10FVB	Bail Spring	17143	10C54	Pinion Gear	18536	1003B	Washer
9367	10PFE	Line Roller Bushing	17144	1053R	Anti-Reverse Cam	19010	100MF	Washer
9368	10JLF	Line Roller	17145	105B4	Anti-Reverse Cam Spring	20352	10E7K	Spool Assembly
9369	10PFP	Line Roller Washer	17332	10R1P	Screw	20353	10E75	Handle Screw Cap
9372	10F1A	Bail Trip Lever	17367	10QYN	Drag Knob Assembly	20354	10E79	Handle Assembly
9510	10DET	Bail Arm	17368	10MZM	Drag Washer Retainer	20356	10E7J	Rotor
10058	10DEB	Bail Spring Cover	17369	10N23	Key Washer	20357	10E77	Body Assembly
10126	10QJ8	Bail Assembly	17370	10N57	Drag Washer	20358	10E74	Drive Gear
14832	103MU	Spool Support A	17372	10LCE	Screw	20359	10E76	Side Cover
14833	10J04	Spool Support B	17373	10817	Rotor Nut	22018	10QY9	Roller Clutch Assembly

Please note that the number of adjusting washers may not be the same as shown in the exploded views.
(Adjustment will vary with each individual product.)

(230824)_004