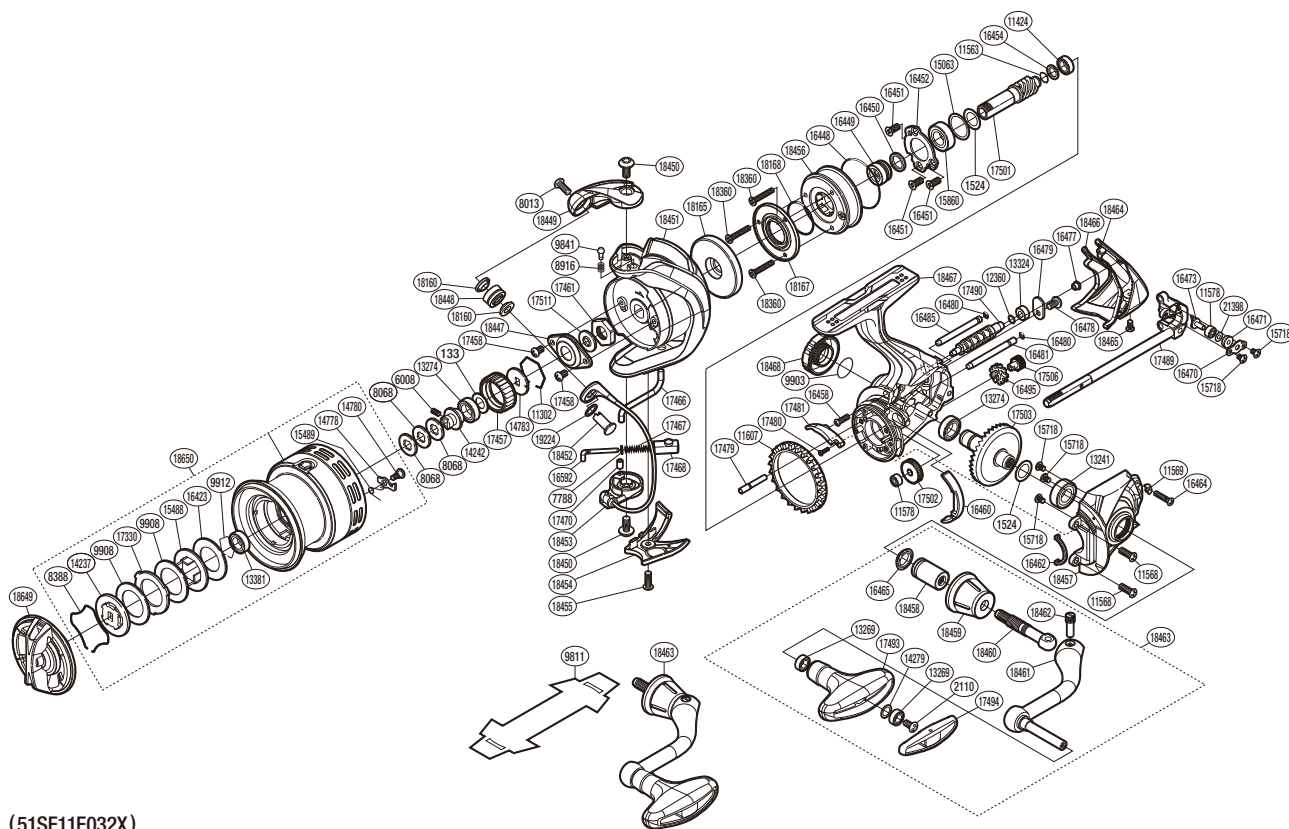


SHIMANO

EXSENCE

EXS-C3000MHG



(51SF11E032X)

#	Part No.	Description	#	Part No.	Description	#	Part No.	Description
133	102VD	Anti-Reverse Pawl Spacer	16448	10MLT	O Ring	17502	10R33	Idle Gear
1524	10JDC	Washer	16449	107S5	Roller Clutch Inner	17503	10EKN	Drive Gear Assembly
2110	103E9	Screw	16450	10H4G	Roller Clutch Inner Spacer	17506	10R3Q	Idle Gear B S
6008	10PN2	Set Screw	16451	10ML6	Screw	17511	107L3	Bearing Water Proof
7788	1064R	Spring Guide A Support	16452	10593	Bearing Retainer	18160	1020L	Bearing Spacer
8013	10K40	Screw	16454	10J6F	Pinion Gear Spacer	18165	10SYA	Rotor Ring
8068	10BU7	Spool Washer	16458	10LPJ	Screw	18167	10SYJ	Roller Clutch Reinforce
8388	10B8J	Drag Washers Retainer	16460	10J3N	Friction Ring Spacer	18168	10SYC	O Ring
8916	10CH0	Click Spring	16462	10CBC	Flange Water Proof	18360	10S0C	Screw
9841	10CHA	Click Pin	16464	10LV4	Screw	18447	10RBF	Nut Lock Plate
9903	108WA	O Ring	16465	10PXU	Handle Shaft Seal	18448	101BJ	Line Roller Set (With Bearing)
9908	102ZP	Drag Washer	16470	10HAG	Oscillating Pawl Cover	18449	10EAV	Bail Arm
9912	10GEW	Bearing Retainer	16471	10JXQ	Oscillating Slider Bushing	18450	10SN9	Screw
11302	107V3	Ratchet Spring	16473	106VL	Oscillating Pawl	18451	101BL	Rotor Assembly
11424	104JY	Ball Bearing	16477	10AYN	Rear Protector Collar	18452	10EAP	Line Roller Support
11563	10CJV	Worm Shaft Ring	16478	103EB	Screw	18453	101BK	Bail Assembly
11568	10M2C	Screw	16479	10ATB	Worm Shaft Retainer	18454	10EA9	Bail Hold Support Guard
11569	10C2G	Screw Washer	16480	10JAB	O Ring	18455	10DT7	Screw
11578	10PC0	Ball Bearing	16481	104MB	Oscillating Guide B	18456	101V8	Roller Clutch Assembly
11607	104FU	Friction Ring	16485	1035L	Oscillating Guide A	18457	101BH	Side Cover Assembly
12360	10J7K	Washer	16495	10CQG	Idle Gear B L	18458	10EAB	Handle Shaft Cover B
13241	104JD	Ball Bearing	16592	105YZ	Bail Spring Guide A	18459	10EAA	Handle Shaft Cover A
13269	104VX	Ball Bearing	17330	10BE6	Eared Washer	18460	10F8H	Handle Shaft
13274	104PP	Ball Bearing	17457	10V70	Drag Click Ratchet	18461	101BG	Handle Shank Assembly
13324	106CM	Worm Bushing	17458	10PMD	Screw	18462	10EAF	Screw
13381	104JT	Ball Bearing	17461	10R2D	Rotor Nut	18463	1018S	Handle Assembly
14237	10JJV	Key Washer	17466	10R2G	Bail Trip Lever	18464	10EAN	Rear Protector
14242	10LTR	Bearing Bushing	17467	10R2P	Bail Spring	18465	10EFO	Screw
14279	10G8G	Washer	17468	10R2E	Bail Spring Seat	18466	10EAE	Rear Shield
14778	10388	Drag Click	17470	10R2F	Bail Spring Guide A Bush	18467	101BM	Body Assembly
14780	10A6F	Screw	17479	10R3L	Idle Gear B Shaft	18468	10EA8	Handle Screw Cap
14783	103PC	Spool Support	17480	10R1M	Screw	18649	10EAL	Drag Knob Assembly
15063	10HV8	Spacer	17481	10R31	Bail Trip Strike	18650	10TSH	Spool Assembly
15488	10BBQ	Key Washer	17489	102J5	Main Shaft Assembly	19224	1002S	Washer
15489	10BQE	Drag Click Spring	17490	10R34	Worm Shaft	21398	10RKQ	Washer
15718	1055G	Screw	17493	10R38	Handle Knob			
15860	104JH	Ball Bearing	17494	10R3A	Handle Knob Seal			
16423	10C1D	Drag Washer	17501	10R2W	Pinion Gear	9811	10PBS	Reel Seat Spacer (Accessory)

Please note that the number of adjusting washers may not be the same as shown in the exploded views.
(Adjustment will vary with each individual product.)

(241225)_005