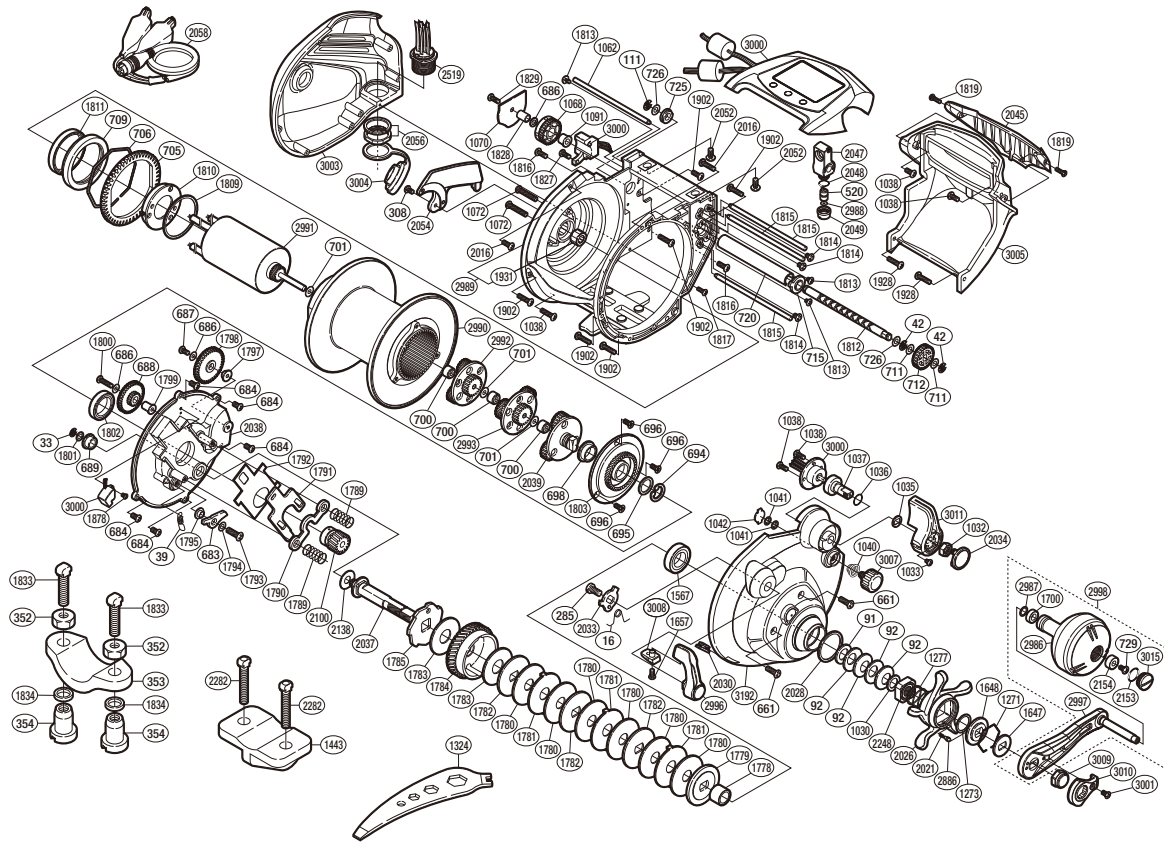


SHIMANO

BeastMaster SA-RB

BM-9000



Please note that the number of adjusting washers may not be the same as shown in the exploded views.
(51RG579000X) (Adjustment will vary with each individual product.)

Part No.	Description	Part No.	Description	Part No.	Description
TGT0016	Clutch Spring	TGT1647	Drive Shaft Shield	TGT2039	Reduction Gear Plate B Assembly
TGT0033	E Lock	TGT1648	Star Drag Click Plate	TGT2045	Level Wind Cover Sticker
TGT0039	Anti-Reverse Pawl Spring	TGT1657	Screw	TGT2047	Line Guide Assembly
TGT0042	E Lock	TGT1700	Handle Knob Bushing B	TGT2048	O Ring
TGT0091	Bearing Thrust Washer	TGT1778	Drive Shaft Sleeve	TGT2049	Pawl Cap
TGT0092	Drag Spring Washer	TGT1779	Pressure Plate	TGT2052	Screw
TGT0111	E Lock	TGT1780	Drag Washer	TGT2054	Motor Holder B
TGT0285	Screw	TGT1781	Eared Washer	TGT2056	Socket Nut Set
TGT0308	Screw	TGT1782	Key Washer	TGT2100	Pinion Gear Assembly
TGT0520	Line Guide Pawl	TGT1783	Drag Washer	TGT2138	Washer
TGT0661	Screw	TGT1784	Drive Gear	TGT2153	O Ring
TGT0683	Anti-Reverse Pawl	TGT1785	Anti-Reverse Ratchet	TGT2154	Handle Knob Bushing A
TGT0684	Screw	TGT1789	Yoke Spring	TGT2248	Star Drag Nut
TGT0686	Washer	TGT1790	Yoke	TGT2519	Socket Set
TGT0687	Screw	TGT1791	Clutch Plate	TGT2886	Click Pin
TGT0688	Worm Idle Gear B	TGT1792	Clutch Plate Washer	TGT2986	Handle Knob Assembly
TGT0689	Drive Shaft Bushing	TGT1793	Screw	TGT2987	Washer
TGT0694	C Lock	TGT1794	Washer	TGT2988	Washer
TGT0695	Washer	TGT1795	Anti-Reverse Pawl Cover	TGT2989	Frame Assembly
TGT0698	Screw	TGT1797	Worm Idle Gear Bushing A	TGT2990	Spool Assembly(With Bearing)
TGT0698	Plate Bushing (Large)	TGT1798	Worm Idle Gear A	TGT2991	Motor Assembly
TGT0700	Plate Bushing (Small)	TGT1799	Worm Idle Gear Bushing B	TGT2992	Reduction Gear Plate A Assembly
TGT0701	Washer	TGT1800	Screw	TGT2993	Reduction Gear Plate C Assembly
TGT0705	Counter Gear A	TGT1801	Washer	TGT2996	Clutch Lever Unit
TGT0706	Gear Retainer	TGT1802	Ball Bearing	TGT2997	Handle Shank Assembly
TGT0709	Bearing Rim	TGT1803	Spool Plate	TGT2998	Handle Assembly
TGT0711	Washer	TGT1809	Washer	TGT3000	Counter Unit Assembly
TGT0712	Worm Gear	TGT1810	Motor Holder	TGT3001	Screw
TGT0715	Worm Bushing A	TGT1811	Ball Bearing	TGT3003	Left Side Plate
TGT0720	Level Wind Guard	TGT1812	Worm Shaft	TGT3004	Socket Cap
TGT0725	Worm Bushing B	TGT1813	Screw	TGT3005	Level Wind Protector
TGT0726	Washer	TGT1814	Screw	TGT3007	Cast Control Cap
TGT0729	Screw	TGT1815	Stabilizer Bar	TGT3008	Clutch Lever Protector
TGT1030	Star Drag Washer	TGT1816	Screw	TGT3009	Handle Nut
TGT1032	Lever Switch Nut	TGT1817	Screw	TGT3010	Handle Nut Plate
TGT1033	Screw	TGT1819	Screw	TGT3011	Lever Switch
TGT1035	Key Washer	TGT1827	Screw	TGT3015	Handle Knob Seal
TGT1036	O Ring	TGT1828	Counter Gear Bushing B	TGT3192	Right Side Plate Assembly
TGT1037	Lever Insert Shaft	TGT1829	Screw		
TGT1038	Screw	TGT1878	Screw		
TGT1040	Spool Tension Spring	TGT1902	Screw	TGT0352	Rod Clamp Nut B (accessory)
TGT1041	Cs Lock	TGT1928	Screw	TGT0353	Rod Clamp (accessory)
TGT1042	Cast Control Spacer	TGT1931	Roller Clutch Bearing	TGT0354	Rod Clamp Nut A (accessory)
TGT1062	Stabilizer Bar A	TGT2016	Screw	TGT1443	Rod Clamp (accessory)
TGT1068	Counter Gear B	TGT2021	Click Spring	TGT1833	Rod Clamp Bolt (accessory)
TGT1070	Cord Cover	TGT2026	Star Drag	TGT1834	Rod Clamp Nut Washer (accessory)
TGT1072	Screw	TGT2028	Star Drag Spacer	TGT2282	Rod Clamp Bolt (accessory)
TGT1091	Counter Gear Bushing	TGT2030	Line Clip		
TGT1271	Click Plate Retainer	TGT2033	Clutch Cam Assembly		
TGT1273	Washer	TGT2034	Lever Switch Sticker	TGT1324	Wrench (accessory)
TGT1277	Star Drag Spring	TGT2037	Drive Shaft	TGT2058	Cable (accessory)
TGT1567	Ball Bearing	TGT2038	Set Plate	TGT3193	Line Picker (accessory)