

ADJUSTABLE ENGINE SUPPORT

Stock Number W41018

OWNER'S MANUAL



Performance Tool®

LIMITED WARRANTY

PERFORMANCE TOOL® extends only the following warranties, and only to original retail purchasers. These warranties give specific legal rights. Except where prohibited by local law, the law of the State of Washington governs all warranties and all exclusions and limitations of warranties and remedies. There may be other rights which vary from state to state.

PERFORMANCE TOOL® warrants the product to be free from defects in materials and workmanship under normal use and service. A defective product may be returned for a free replacement within 90 days from the date of purchase, provided that product is returned to place of purchase immediately after discovery of defect. After 90 days and up to one year from date of purchase, PERFORMANCE TOOL® will replace at no charge any parts which our examination shall disclose to be defective and under warranty. These warranties shall be valid only when a sales receipt showing the date of purchase accompanies the defective product or defective part (s) being returned. For part (s) after 90 days, please remit your request, postage prepaid to:

PERFORMANCE TOOL, P.O. Box 88259 Tukwila, WA 98138

These warranties exclude blades, bits, punches, dies, bulbs, fuses, hoses, and other consumables which must be replaced under normal use and service. These warranties shall not apply to any product or part which is used for a purpose for which it is not designed, or which has been repaired or altered in any way so as to affect adversely its performance or reliability, nor shall these warranties apply to any product or part which has been subject to misuse, neglect, accident or wear and tear incident to normal use and service.

PERFORMANCE TOOL® does not authorize any other person to make any warranty or to assume any liability in connection with its products.

Except for warranties of title and the limited express warranties set forth above, PERFORMANCE TOOL® makes no express or implied warranties of any kind with respect to its products. In particular, PERFORMANCE TOOL® makes no implied warranty of merchantability and no implied warranty of fitness for any particular purpose, except that for goods purchased primarily for personal, family or household use and not for commercial or business use, PERFORMANCE TOOL® makes an implied warranty of merchantability (and, if otherwise applicable, an implied warranty of fitness for a particular purpose), but only for the particular qualities or characteristics, and for the duration, expressly warranted above.

The laws on limitation of implied warranties may differ from state to state, so the above limitations may not apply in all cases.

PERFORMANCE TOOL® shall not be liable for consequential, incidental or special damages resulting from or in any manner related to any product, or to the design, use, or any inability to use the product. The sole and exclusive remedy for a defective product or part shall be the repair, or replacement thereof as provided above. The laws on limitation of remedies or on consequential, incidental or special damages may vary from state to state, so the above limitations may not apply in all cases.

© Copyright 2020 WILMAR CORPORATION, P.O. Box 88259 Tukwila, WA 98138

▲WARNING: READ, UNDERSTAND AND FOLLOW ALL INSTRUCTIONS AND WARNINGS BEFORE OPERATING THIS TOOL. FAILURE TO DO SO MAY RESULT IN PERSONAL INJURY AND/OR PROPERTY DAMAGE AND WILL VOID WARRANTY.

PT
Performance Tool

SPECIFICATIONS:

Max Load.....	700 lbs (317 Kilo)
Product Dimensions.....	7 x 41.3 x 3.2 in. (22 x 104 x 8 cm)
Weight	11.95 lbs. (5.420 Kilo)
Support Screw Travel.....	12 in. (30.48 cm)

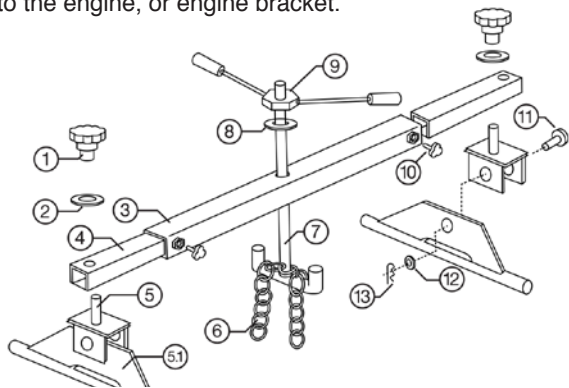
Specifications are subject to change without notice.

GENERAL WARNINGS

1. Always wear eye protection and other safety equipment such as dust mask, non-skid safety shoes, hard hat, hearing protection, and work gloves. Using safety equipment that fits the appropriate conditions will reduce personal injuries.
2. Maintain all labels on the tool. They contain important safety information. If unreadable or missing, contact Performance Tool for a replacement label.
3. Never exceed the maximum weight limit of 700 pounds.
4. Do not work on an engine that is only supported by the engine support. Do not intentionally jar, jostle or move the engine. Moving the engine in any way creates a safety hazard. This may cause the engine support to jump the fender channels and fall resulting in serious personal injury or property damage.
5. Never work underneath an engine while it is supported only by the engine support.
6. The warnings, precautions, and instructions discussed in this instruction manual cannot cover all possible conditions and situations that may occur. It must be understood by the operator that common sense and caution are factors which cannot be built into this product, but must be supplied by the operator.

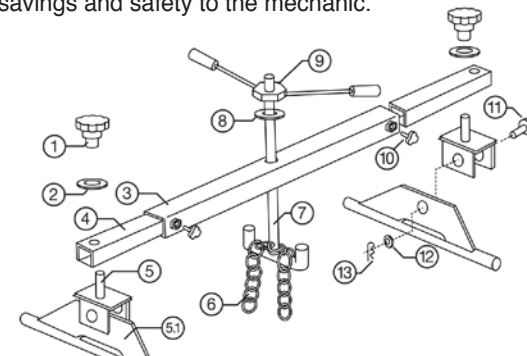
ASSEMBLY INSTRUCTIONS

1. Place the Standing Block (5) on the Standing Bracket (5.1). Hold in place with clevis pin (11), washer (12) and pin (13).
2. Use provided hand knob (1) and washer (2), attach standing base assembly (5/5.1) to extension (4). Repeat on the other side of the engine support. Tighten knobs (1).
3. Slide the stand /extension assembly into the crossbeam (3). Adjust to fit and tighten bolts (10). Slide the hook (7) through beam (3) and secure with the washer (8) and handle (9). The hook can be adjusted once the chain (6) is attached to the engine, or engine bracket.



OPERATION INSTRUCTIONS

1. Read the vehicle owner's manual to determine the location of its lifting points.
2. Never try to move a running or hot engine. Give sufficient time for the engine to cool down entirely before beginning any operations.
3. Park the car on a flat surface, apply the parking brakes and chock the wheels.
4. Loosen Wing Bolts (10) and spread the standing base assemblies (5.1). Place the feet of the base assembly over the lips adjacent to the fenders of the car. Center the engine support bar assembly over the engine, tighten the Wing Bolts (10).
5. Attach the Chains (6) to the engine at the appropriate lifting points. Some models have a lifting plate mounted to the top of the engine for lifting. If not then loop the chains around the engine and secure to a place capable of holding the weight, not to exceed 700 pounds.
6. Attach the other end of the chain to the bottom of the support hook (7).
7. Turn the handles (9) clockwise until the chains are taut and the engine is held securely in place.
8. Loosen the engine mounts and turn the Handle (9) slowly clockwise until the engine's weight is supported by the chains.
8. Never work on the engine while it is supported only by the engine support. Moving the engine while it is suspended only by the engine support can cause the engine support to fail or shift, resulting in serious personal injury and/or property damage.
9. To prevent accidents, lower and reconnect the engine when finished working. The engine support is not intended to be used as a long-term suspension device.
10. This engine support bar is designed for engines 700 lbs. or less. Enables parts or mechanisms underneath the engine to be accessed for repair or removal. Provides time savings and safety to the mechanic.



PARTS LIST

No.	Description	Qty.	No.	Description.....	Qty.
1	Handwheel.....	2	7	Hook.....	1
2	Washer.....	2	8	Washer	1
3	Crossbeam	1	9	Handle	1
4	Extension.....	2	10	Bolt.....	2
5,5.1	Base	2	11	Pin	2
6	Chain	1	12	Washer	2
			13	Pin	1