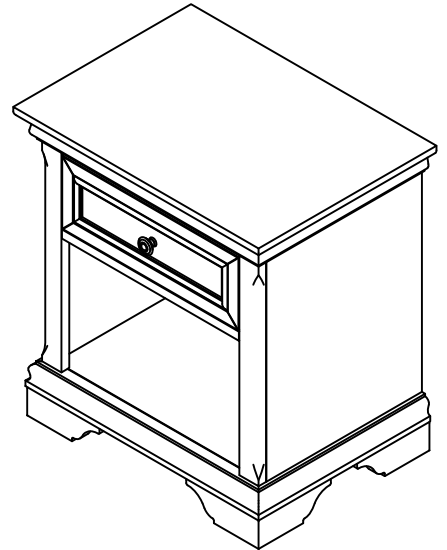


# 88 5537 42

## The Lafayette Night Stand



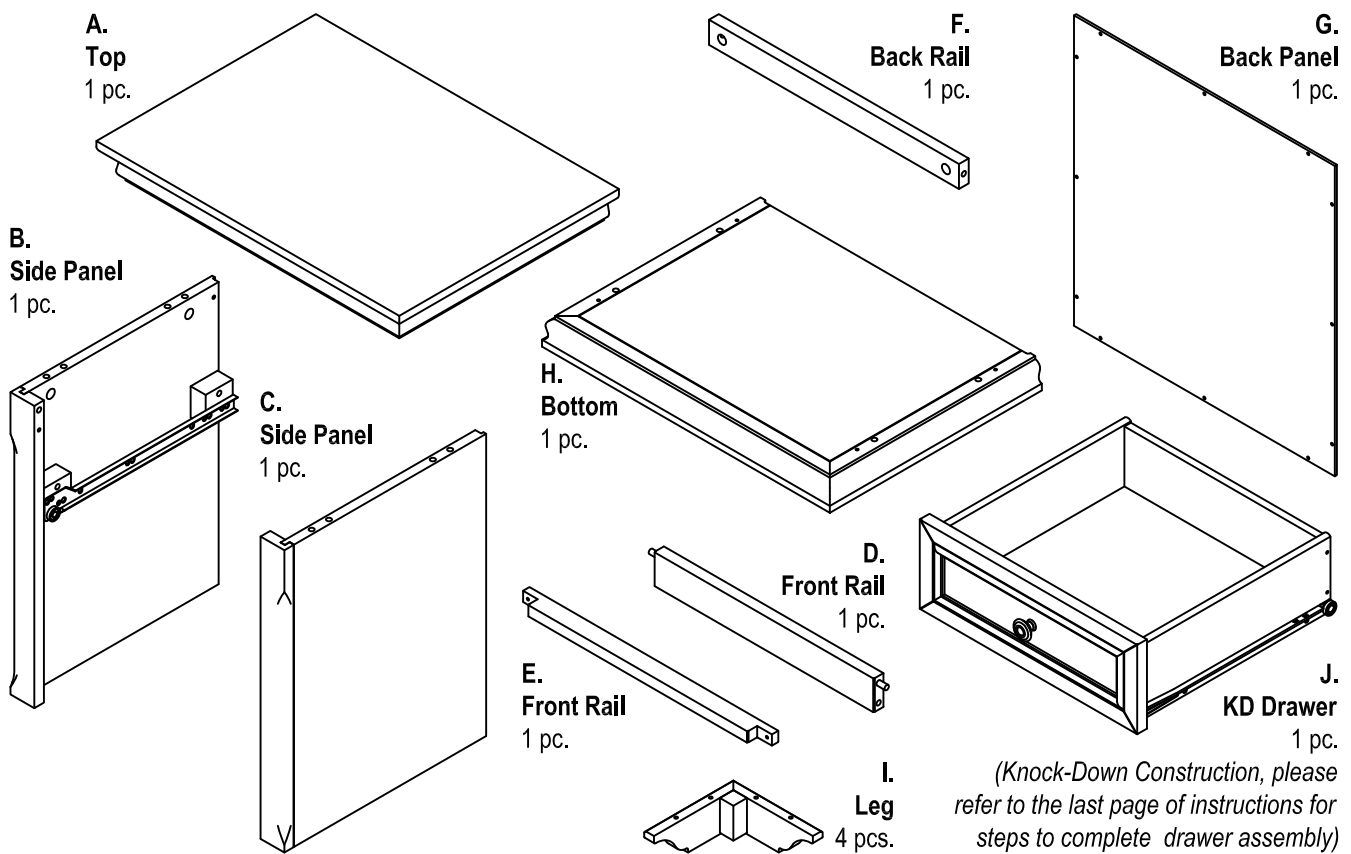
*Home Styles*

### IMPORTANT NOTE

Carefully remove all the parts from the carton and put them individually on a soft cloth to prevent scratches or other damages occurring to the parts.

We have taken great care in the design of this product and request that you carefully and strictly follow our assembly instructions to ensure a completed product as it was designed.

## Part List



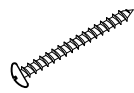
## Hardware List



Cam Lock Screw  
8 pcs. (+1 extra)



Cam Lock  
8 pcs. (+1 extra)



1 1/2" Round Head Screw  
20 pcs. (+1 extra)



1" Round Head Screw  
2 pc. (+1 extra)



1/2" Round Head Screw  
12 pcs. (+1 extra)



1 1/4" Flat Head Screw  
8 pcs. (+1 extra)



3/4" Flat Head Screw  
2 pcs. (+1 extra)



Machine Screw  
1 pcs.



Pull Handle  
1 pc.



Wooden Dowel  
8 pcs. (+1 extra)

Tools Required For Assembly : Phillips screwdriver

**Home Styles Consumer Assistance:** [www.homestyles-furniture.com](http://www.homestyles-furniture.com),  
[servicedesk@homestyles-furniture.com](mailto:servicedesk@homestyles-furniture.com), 888-680-7460, 877-831-0319

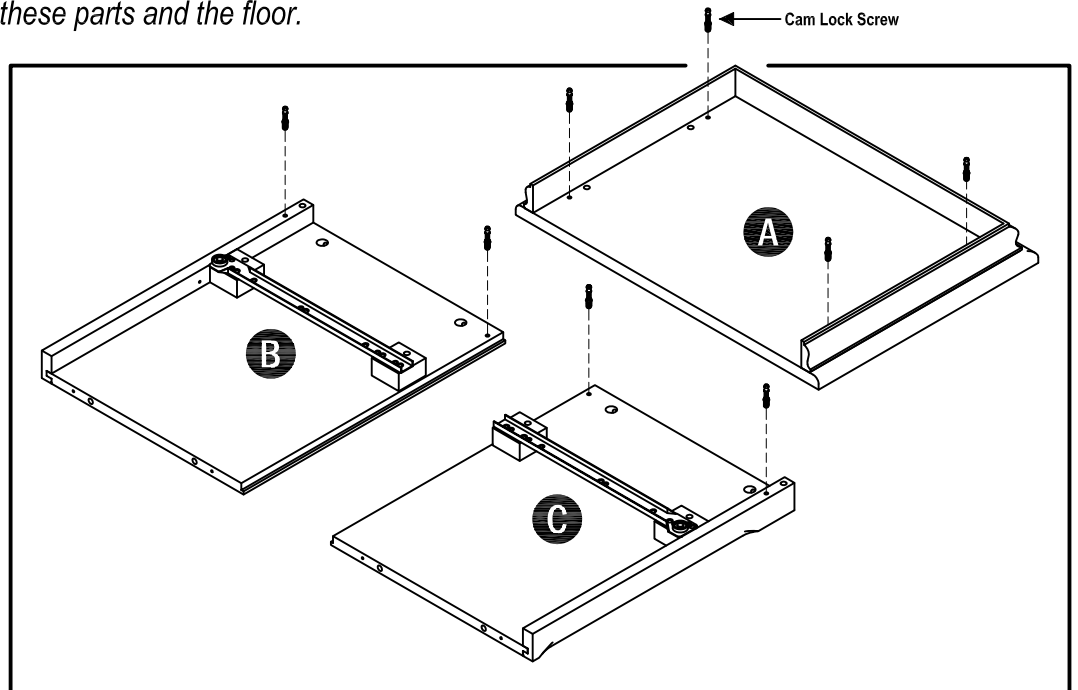
# Assembly Instructions 2/6

## IMPORTANT

- \* Do not tighten up all the screws until each part is properly assembled.
- \* Use a soft cloth between these parts and the floor.

## STEP 1

Insert Cam Lock Screws into the pre-drilled holes of Top (A), Side Panel (B) and (C).



## STEP 2

Attach Side Panel (B) and (C), Front Rail (D) and Back Rail (F) with Cam Locks. (see Figure 1).

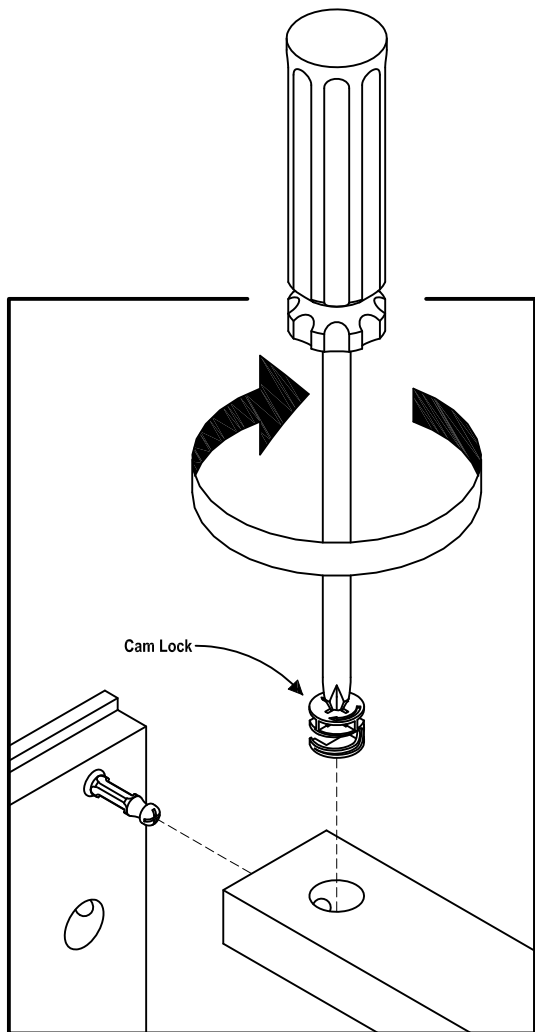
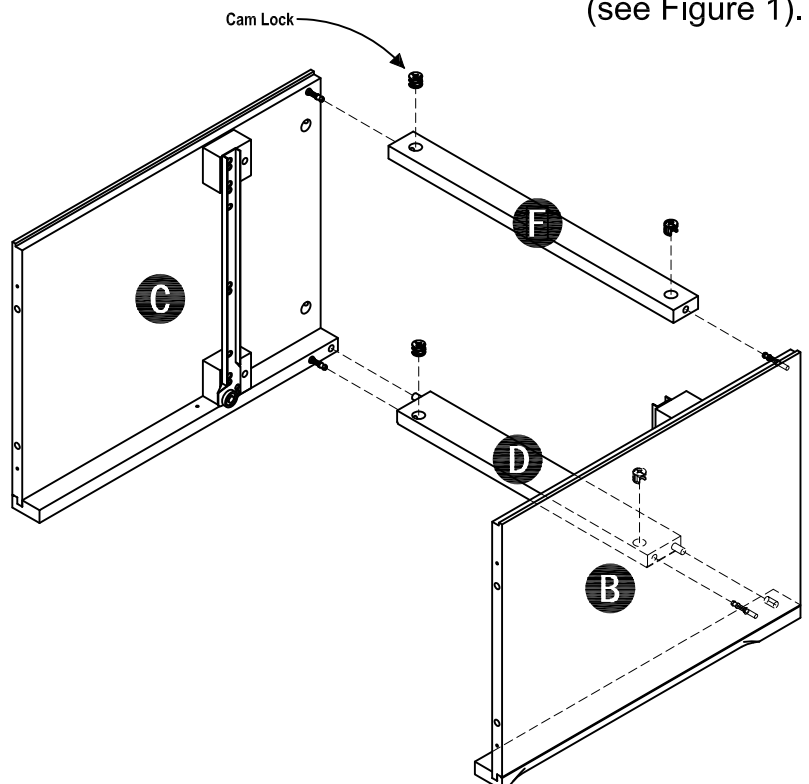


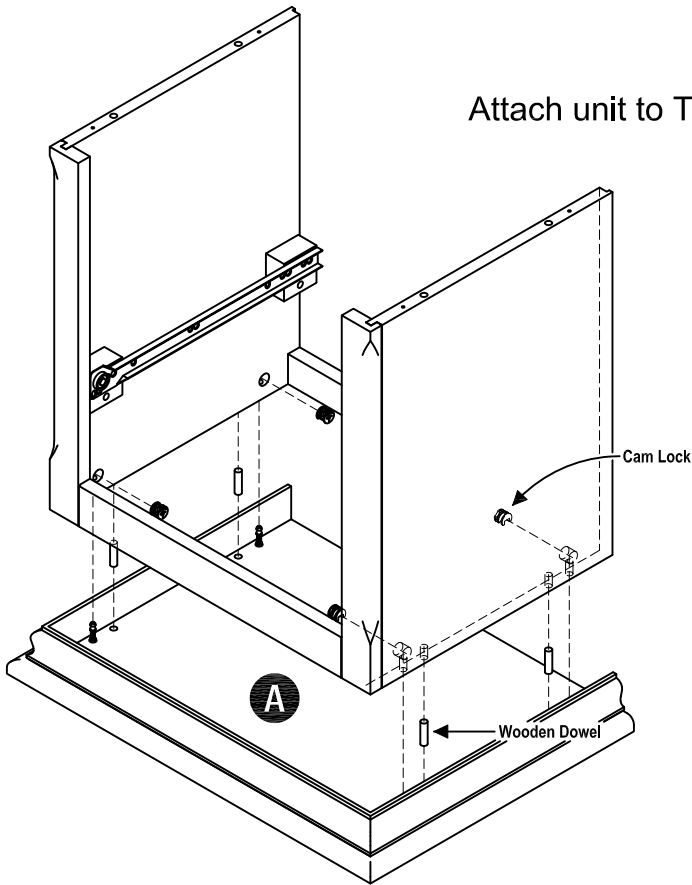
Figure 1



# Assembly Instructions 3/6

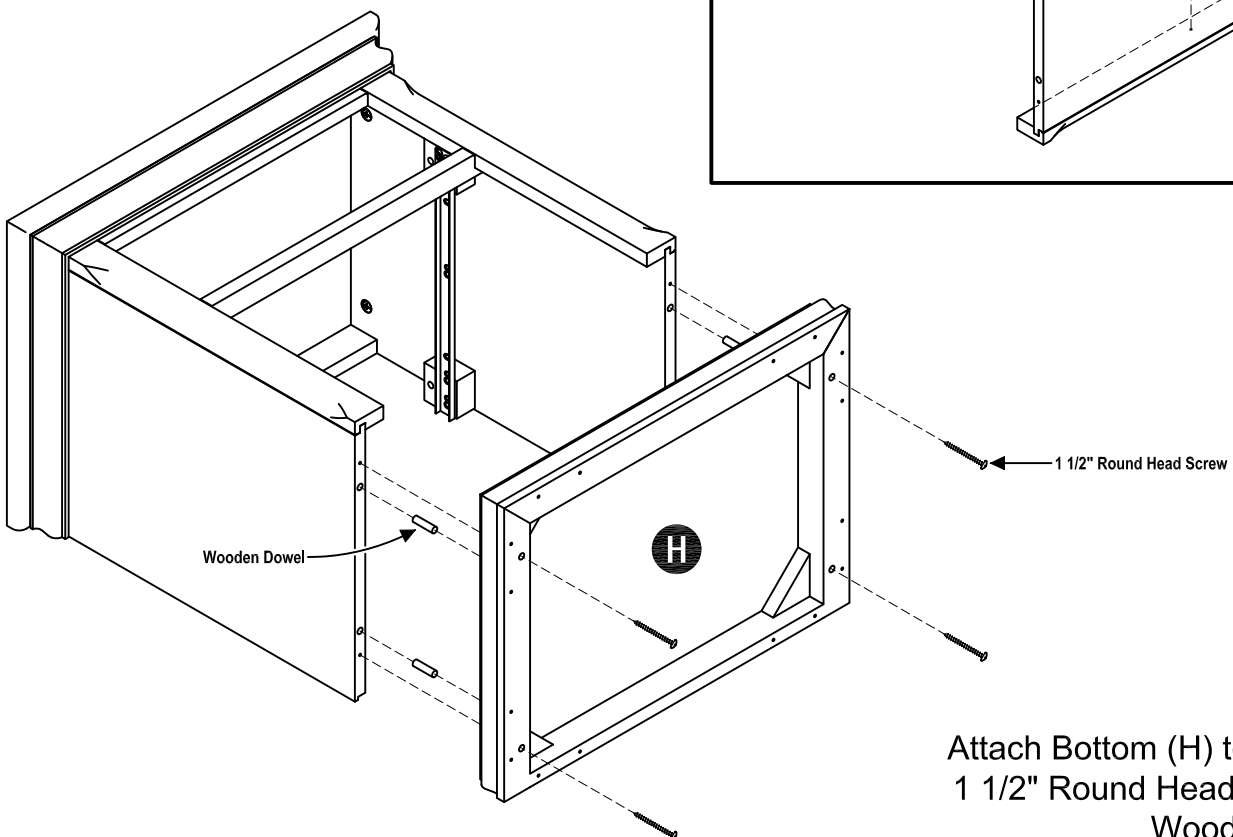
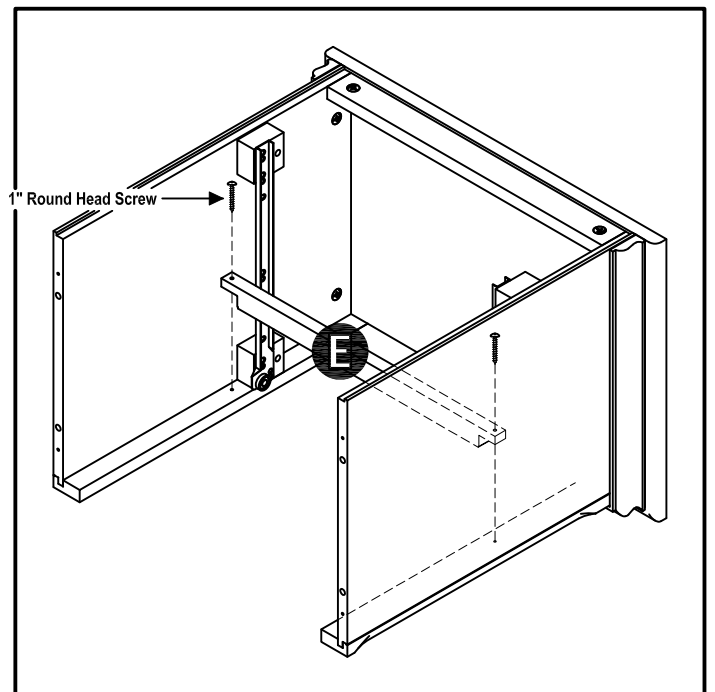
## STEP 3

Attach unit to Top (A) unit with Cam Locks and Wooden Dowel.



## STEP 4

Attach Front Rail (E) to unit using 1" Round Head Screws.



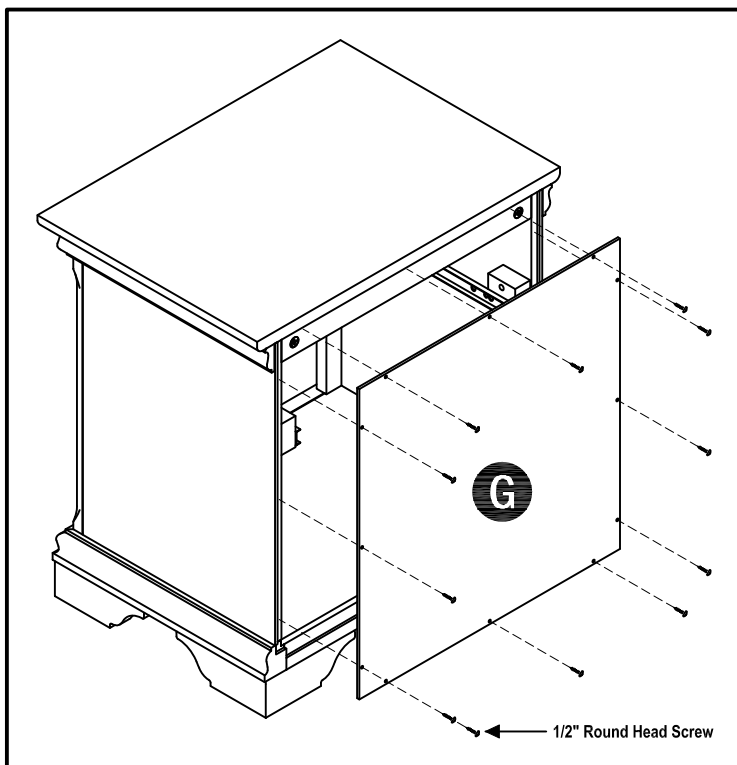
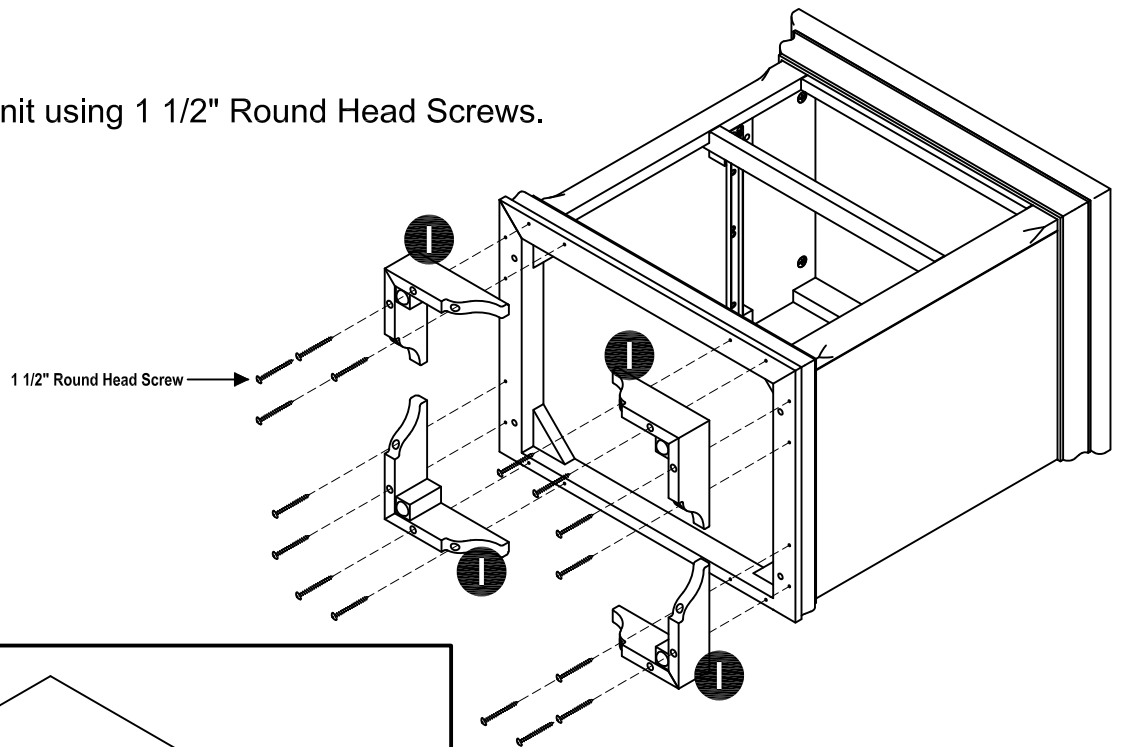
## STEP 5

Attach Bottom (H) to unit using 1 1/2" Round Head Screw and Wooden Dowels.

# Assembly Instructions 4/6

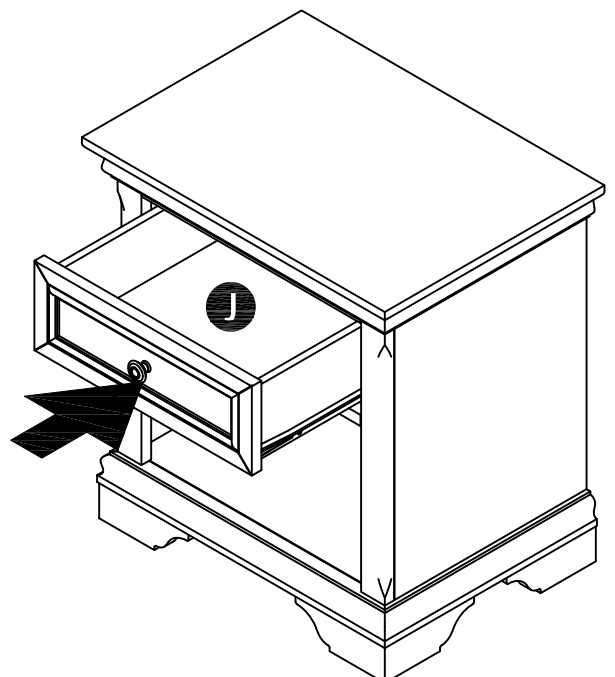
## STEP 6

Attach Legs (I) to unit using 1 1/2" Round Head Screws.



## STEP 7

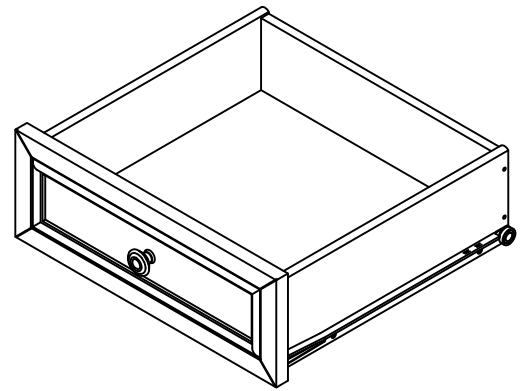
Attach Back Panel (G) to unit using 1/2" Round Head Screws.



## STEP 8

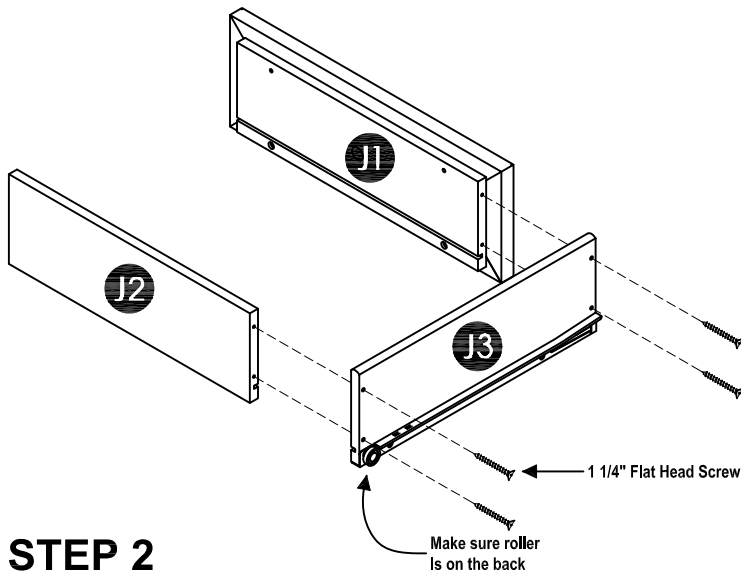
Slide Drawer (J) into place.

## Drawer (J)



### STEP 1

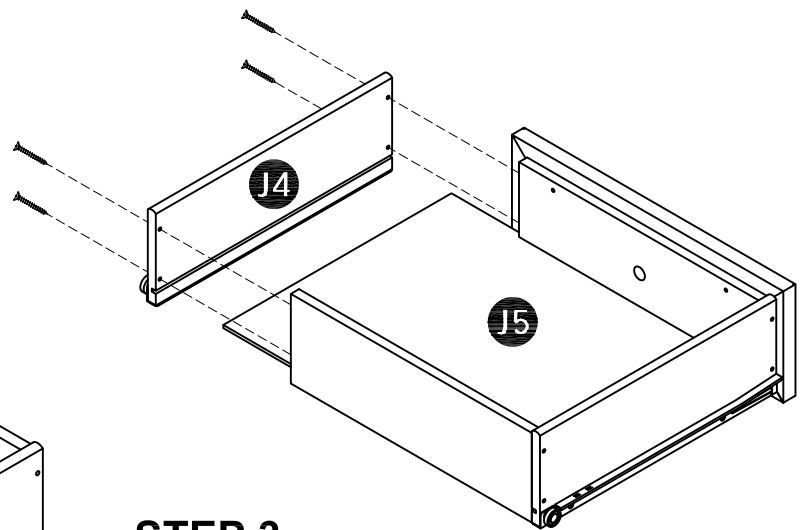
Attach Side Part (J3) to Front Part (J1) and Back Part (J2) using 1 1/4" Flat Head Screws.



### STEP 2

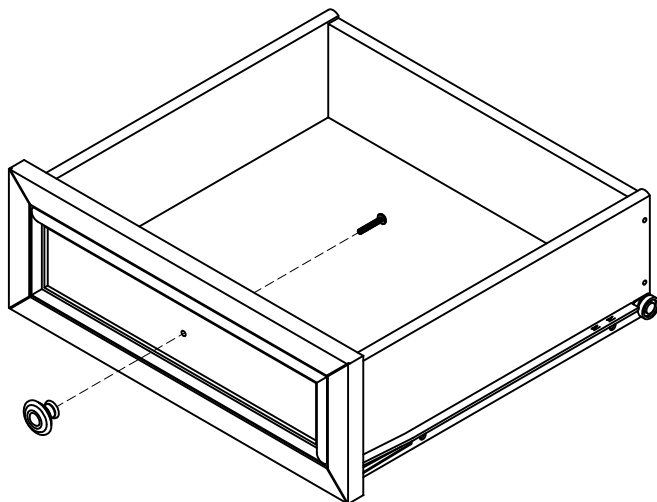
Insert Base Part (J5) into the groove.

Attach Side Part (J4) to unit using 1 1/4" Flat Head Screws.

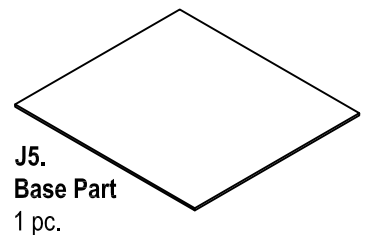
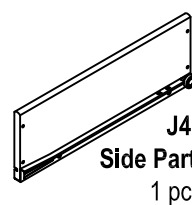
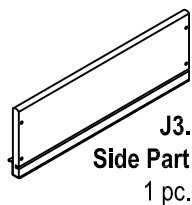
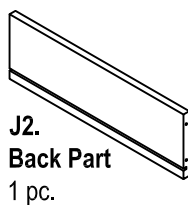
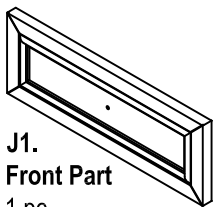


### STEP 3

Attach Pull Handle with Machine Screw.

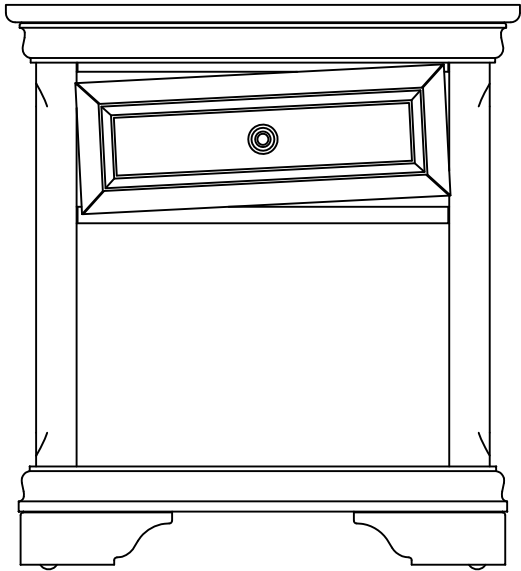


## Part List



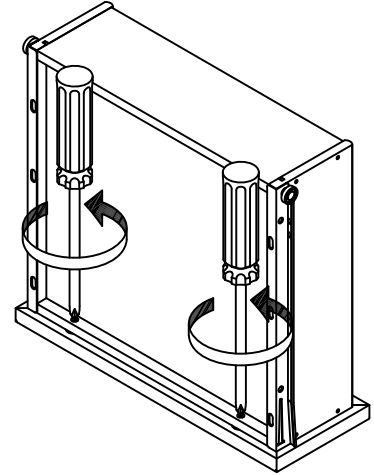
# Assembly Instructions 6/6

## I. IF A DRAWER DOES NOT ALIGN



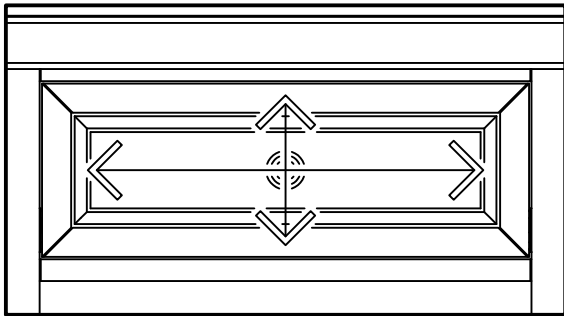
### STEP 1

Loosen slightly the lower screws.

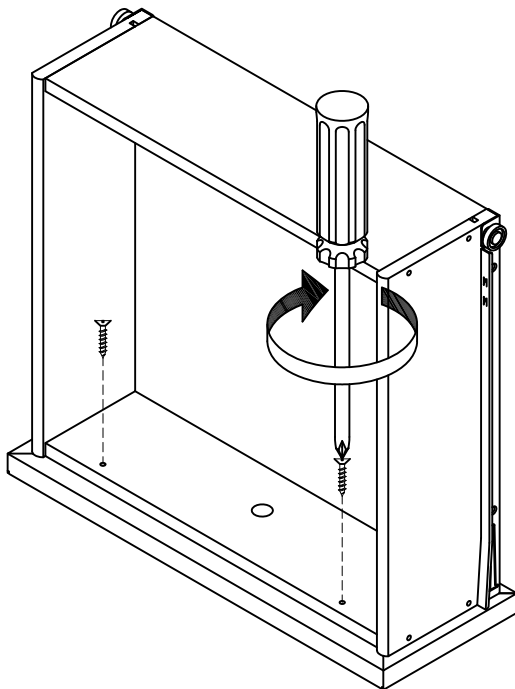


### STEP 2

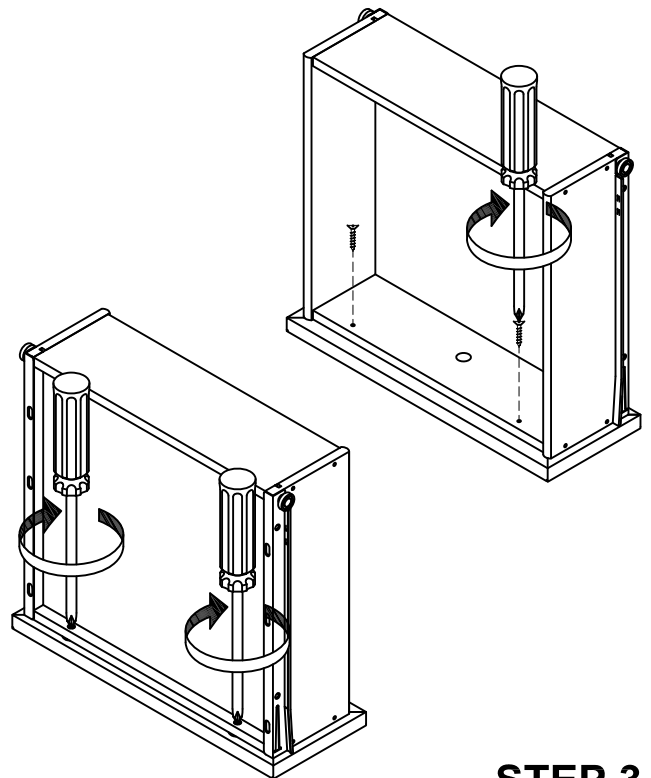
Insert the drawer into the main body, then adjust the drawer front panel left or right and up or down, until the drawer gaps look proportional.



## II. IF A DRAWER ALREADY ALIGNS



Pull out drawer slowly. Lock the drawer front panel into position with 3/4" Flat Head Screws.



### STEP 3

Pull the drawer open slowly and tighten the upper screws. Make sure the front panel does not move and lock the drawer front panel into position with 3/4" Flat Head Screws.

# VERY IMPORTANT !!

## CARE INSTRUCTIONS

### NEVER

USE GLASS CLEANERS ON FINISHED FURNITURE. AMMONIA WILL CHEMICALLY ATTACK THE LACQUER.

### NEVER

ALLOW LIQUIDS OF ANY KIND TO REMAIN ON THE FURNITURE. ABSORPTION CAUSES WOOD TO WARP AND SPLIT AND FINISHES TO DELAMINATE.

DO NOT WRITE DIRECTLY ON SURFACE.



**PREVENT MARKING**

DO NOT PLACE IN DIRECT SUNLIGHT.



**PREVENT FADING**

DO NOT USE COMMERCIAL WAXES AND POLISHES.



**PREVENT YELLOWING**

DO NOT PLACE HOT OBJECTS ON SURFACE.



**PREVENT FINISH DAMAGE**

DO NOT USE RUBBER BASED PLACE MATS.



**PREVENT DISCOLORING**

## TO CLEAN

USE A SOFT CLOTH MOISTENED IN LEMON OIL POLISH OR LUKEWARM SOAP AND WATER, THEN BUFF WITH A DRY CLEAN CLOTH.



Home Styles will provide replacements free of charge for missing or damaged hardware or parts within 30 days of purchase. Digital images of the defective parts may be required. If this product was not purchased from an authorized retail affiliate, Home Styles is under no obligation to provide replacement parts. Parts are not available for fully assembled items nor are parts available for sale. Replacements for missing or damaged hardware or parts may be requested at:

[www.homestyles-furniture.com/customer\\_service](http://www.homestyles-furniture.com/customer_service)

**Home Styles Consumer Assistance:** [www.homestyles-furniture.com](http://www.homestyles-furniture.com),  
[servicedesk@homestyles-furniture.com](mailto:servicedesk@homestyles-furniture.com), 888-680-7460, 877-831-0319