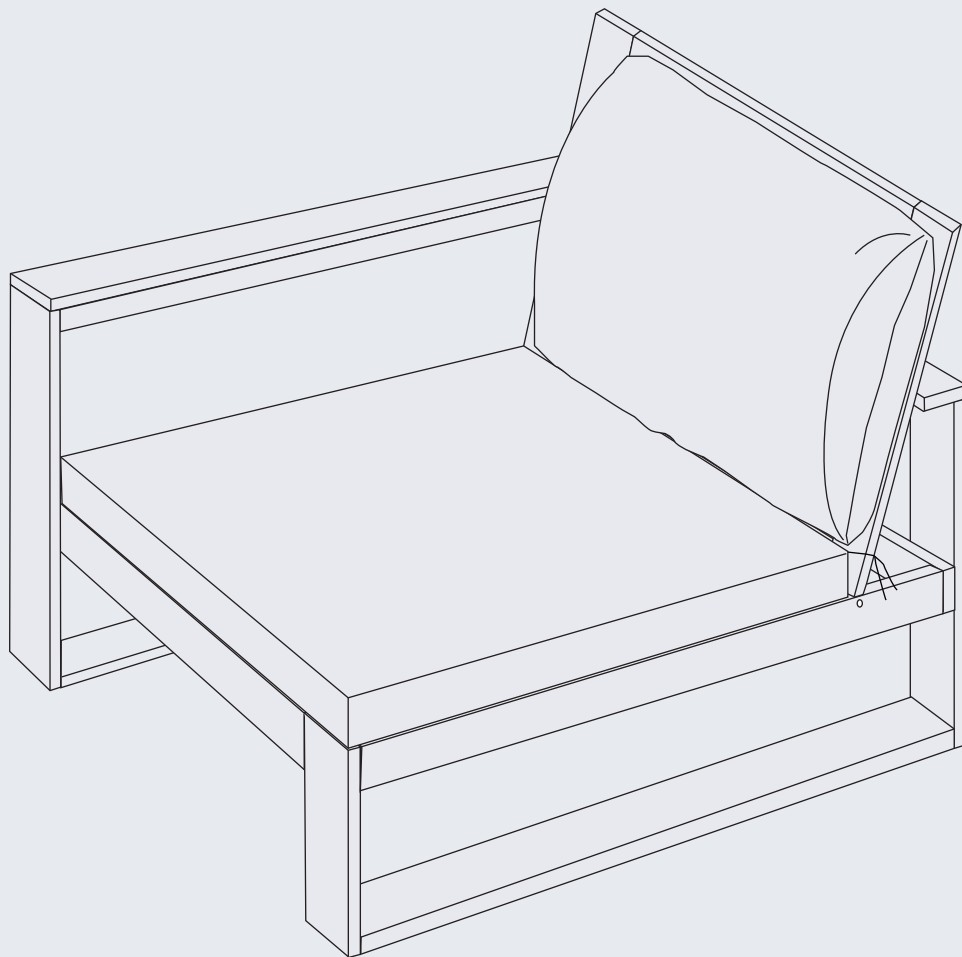


INSTRUCTION MANUAL



Patio Deep Seating Left Arm Chair With Cushion

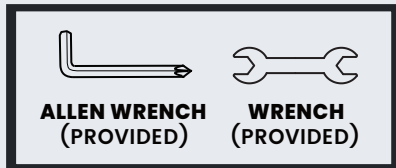
V1.0

! CARE & MAINTENANCE

Please keep this instruction for your future reference.

- Be careful when assembly, avoid hurting the top surface.
- Clean the chair with lukewarm water, mild detergent & soft cloth.
- Firmly secure all bolts before use, do not use any part of this item as a step ladder.
- Reconfirm that all bolts, screws, and nuts are secure every 90 days.
- Do not use or store this item in the proximity of open flame or flammable/combustible chemicals.
- Be aware that some parts are heavy and have sharp edges.
- Do not overtighten screws. (Insert all screws before tighten screws.)
- Please do not exceed the weight limitations of this item.

TOOLS REQUIRED



LBS
CHAIR
300 LBS
CAPACITY

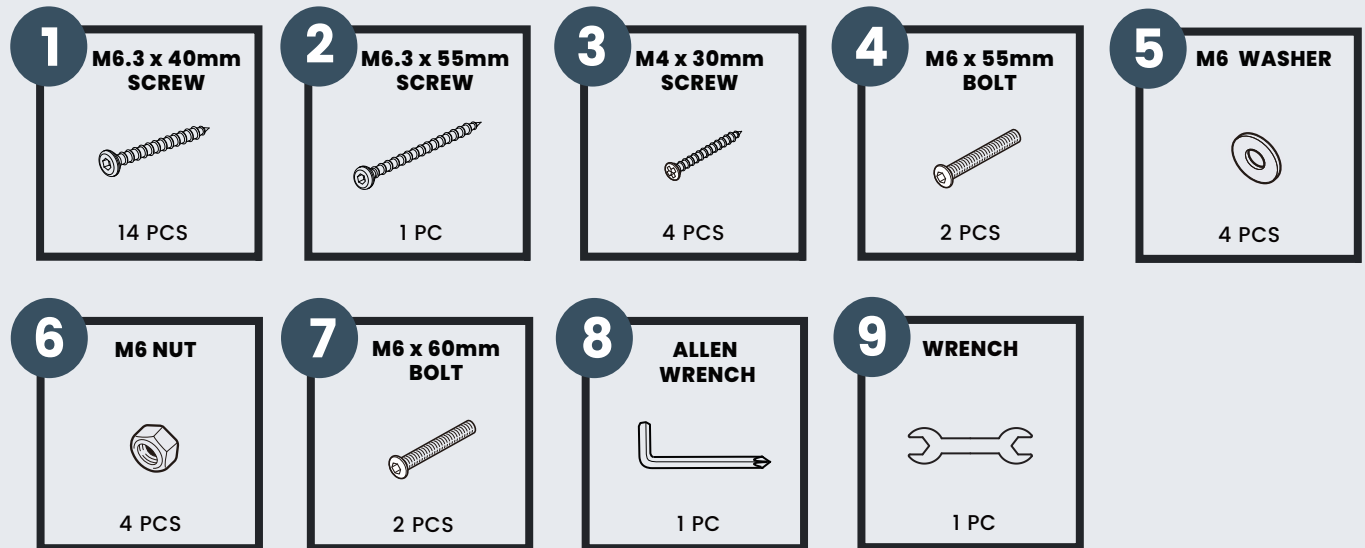


1 PERSON
ASSEMBLY

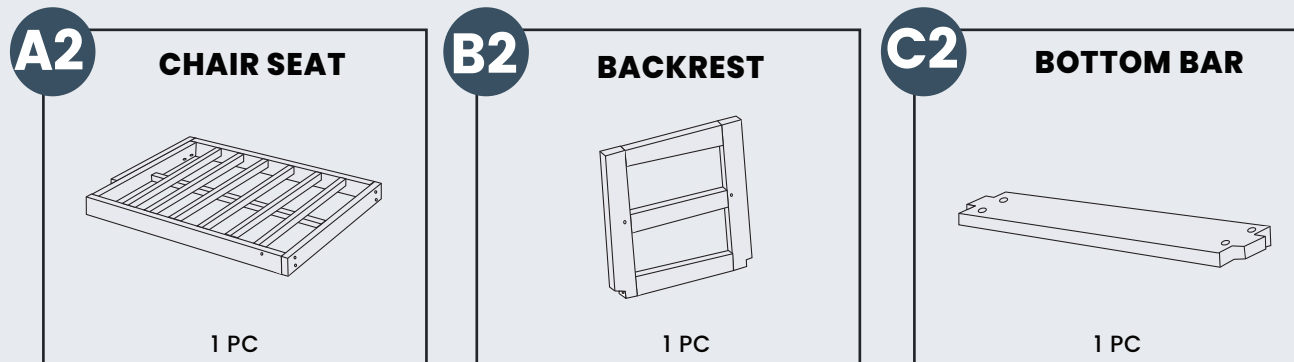


UP TO 20 MIN.
ASSEMBLY

HARDWARE



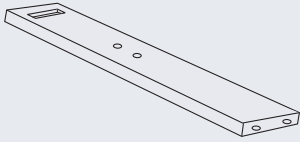
PARTS



PARTS

D2

REAR LEG



1 PC

E2

FRONT LEG



1 PC

F2

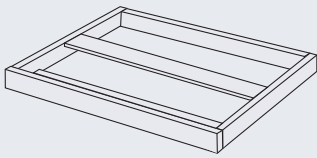
BACK SUPPORT



1 PC

G2

CHAIR RIGHT ARM

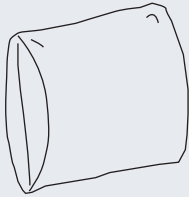


1 PC

CUSHION

Z1

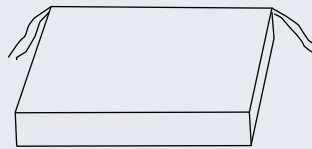
BACK CUSHION



1 PC

Z2

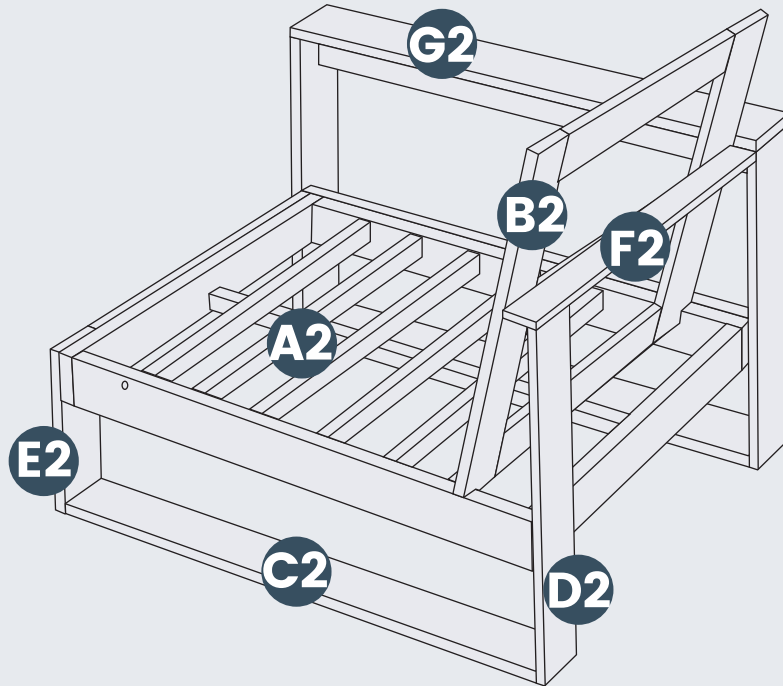
SEAT CUSHION



1 PC

PRODUCT ASSEMBLY - OVERALL VIEW

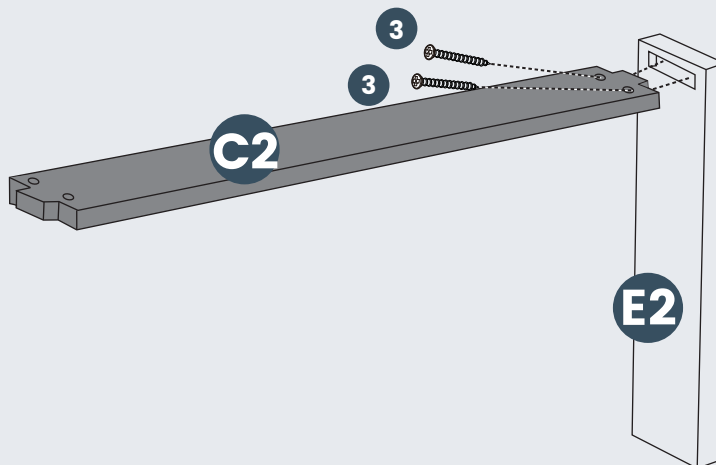
Look at following overall view of this chair and learn the exact position of each part to be assembled.



PRODUCT ASSEMBLY

1

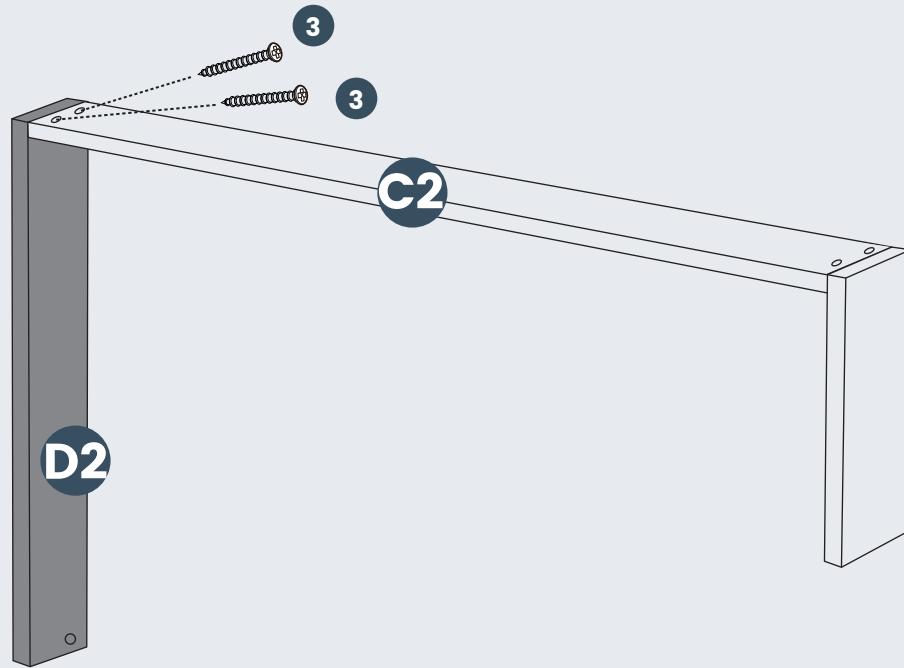
Attach **Part C2 Bottom Bar** to **Part E2 Front Leg** with 2 pcs of **Hardware #3 Screw**.



PRODUCT ASSEMBLY

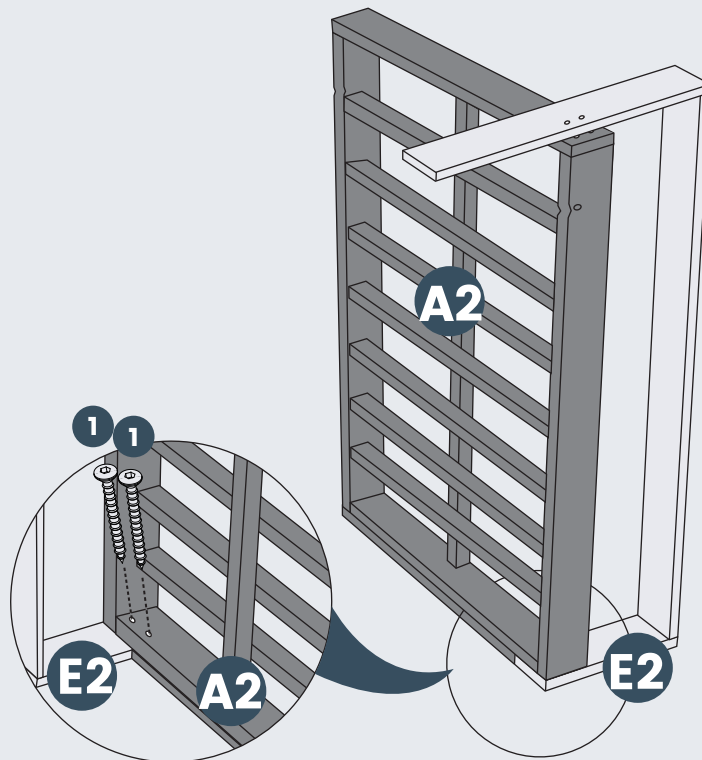
2

Attach **Part D2 Rear Leg** to **Part C2 Bottom Bar** with 2 pcs of **Hardware #3 Bolt**.



3

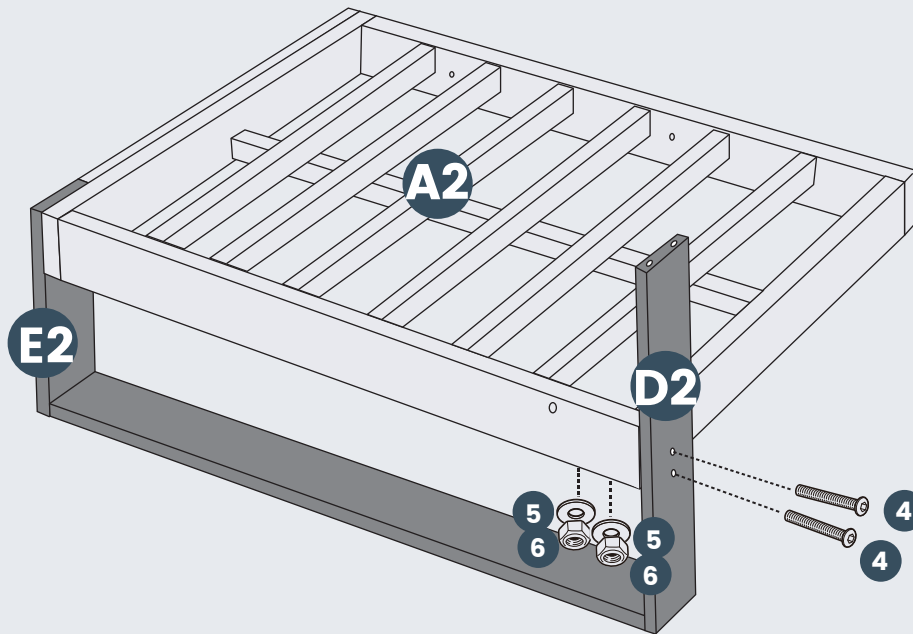
Attach **Part A2 Chair Seat** to **Part E2 Front Leg** with 2 pcs of **Hardware #1 Screw**.



PRODUCT ASSEMBLY

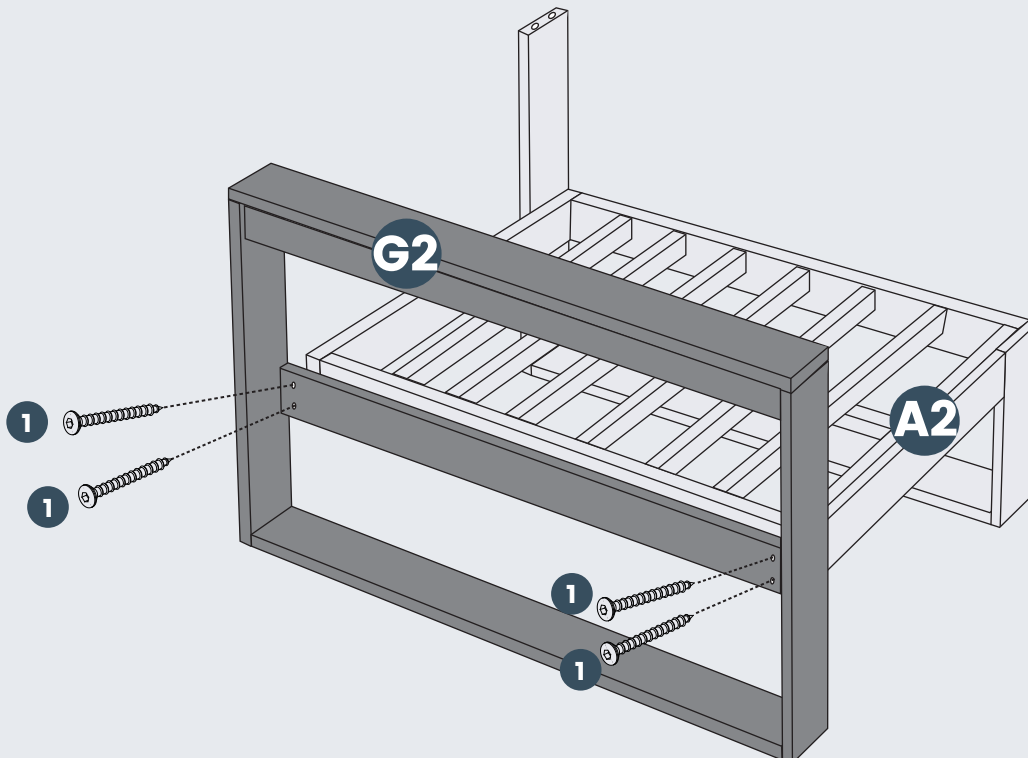
4

Attach **Part D2 Rear Leg** to **Part A2 Chair Seat** with 2 sets of **Hardware #4 Bolt, #5 Washer** and **#6 Nut**.



5

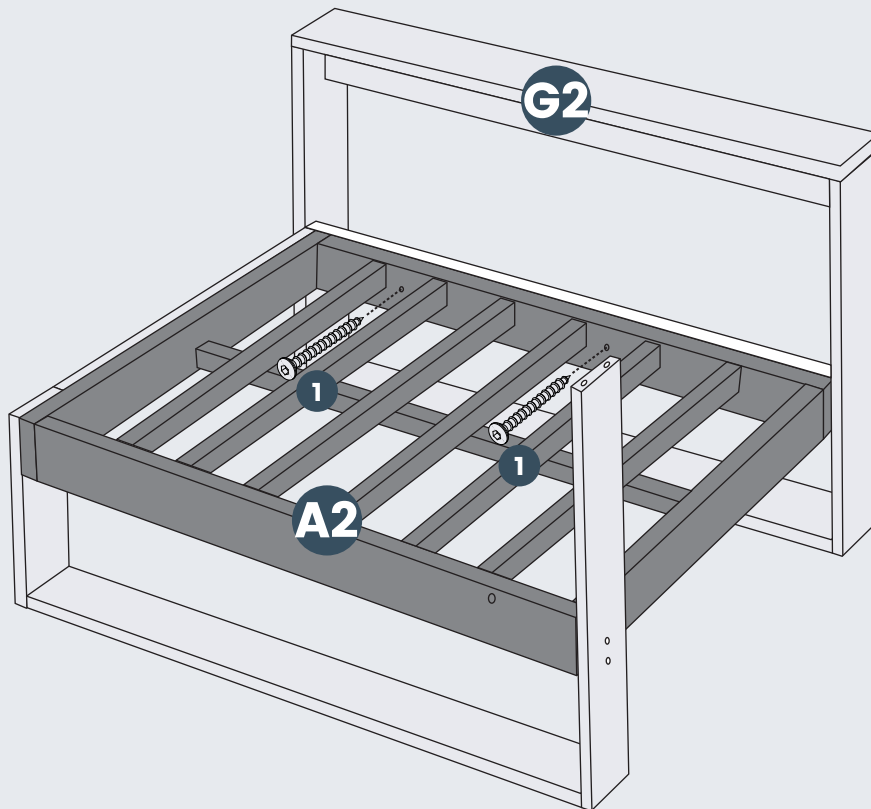
Attach **Part G2 Chair Right Arm** to **Part A2 Chair Seat** as below with 4 pcs of **Hardware #1 Screw**.



PRODUCT ASSEMBLY

6

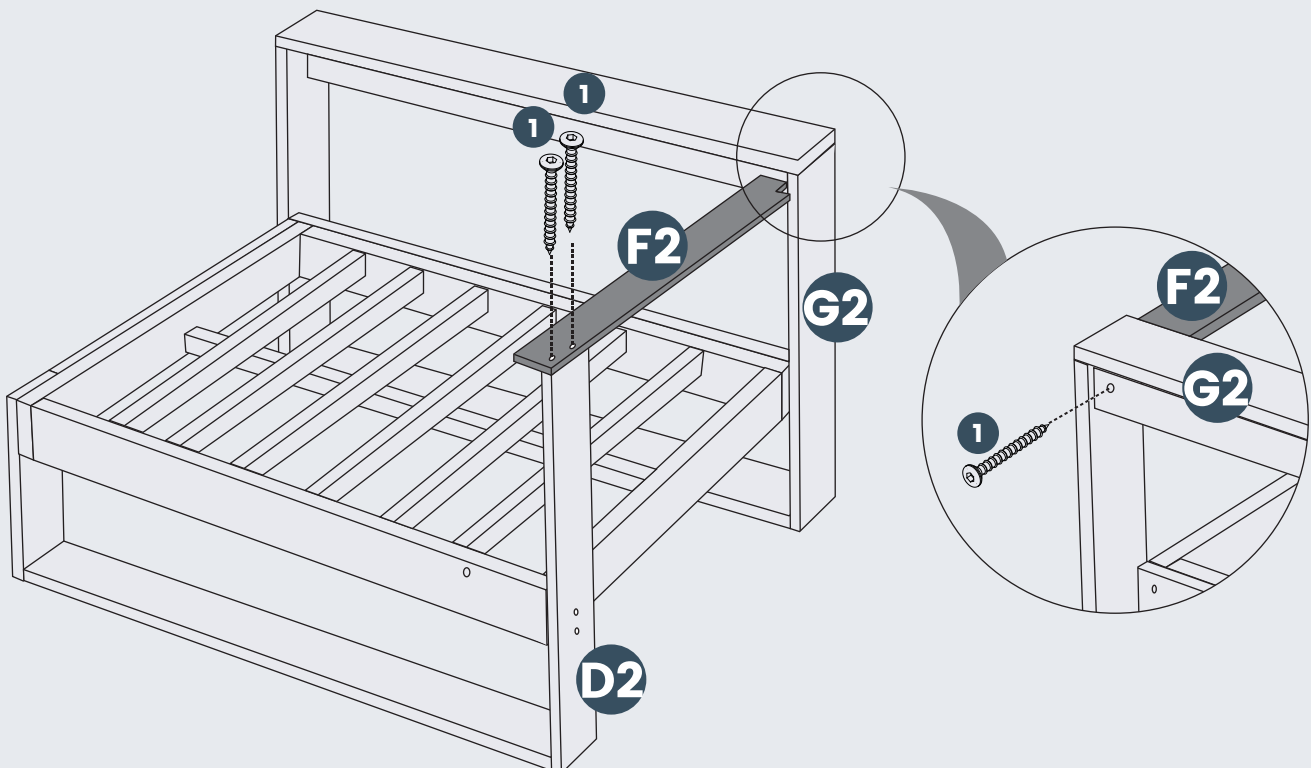
Attach **Part A2 Chair Seat** to **Part G2 Chair Right Arm** from inside with 2 pcs of **Hardware #1 Screw**.



7

Place **Part F2 Back Support** as below and attach the **Part F2 Back Support** to **Part D2 Rear Leg** with 2 pcs of **Hardware #1 Screw**.

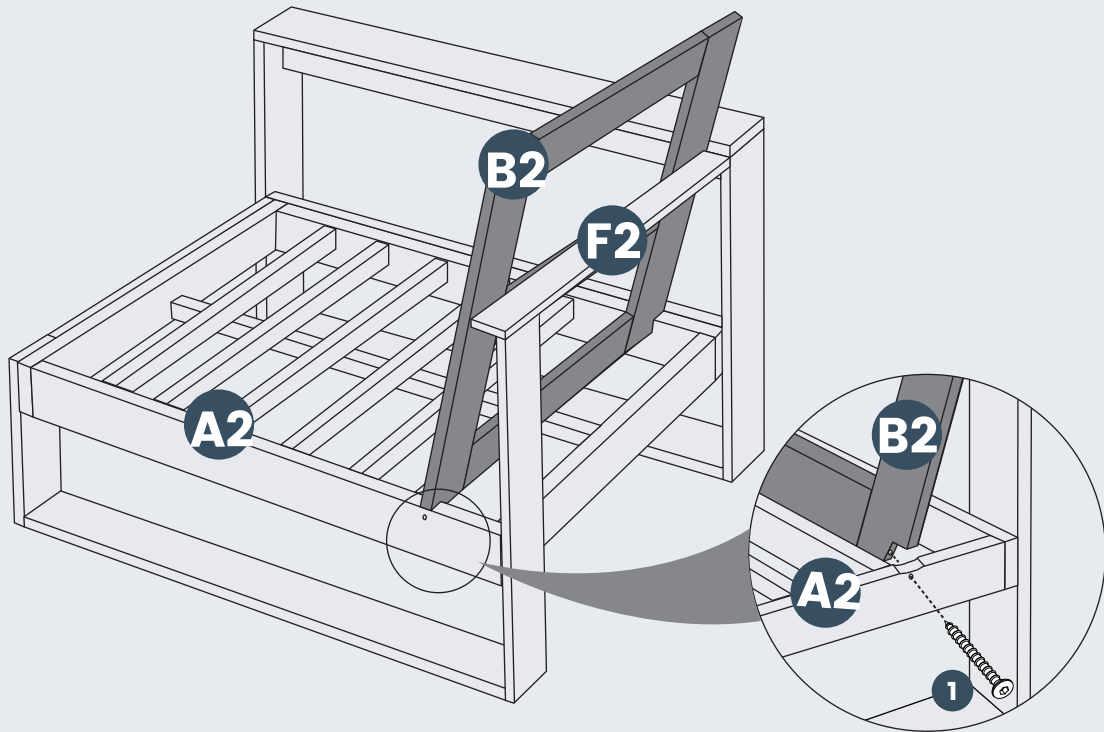
Attach **Part F2 Back Support** to **Part G2 Chair Right Arm** with 1 pc of **Hardware #1 Screw**.



PRODUCT ASSEMBLY

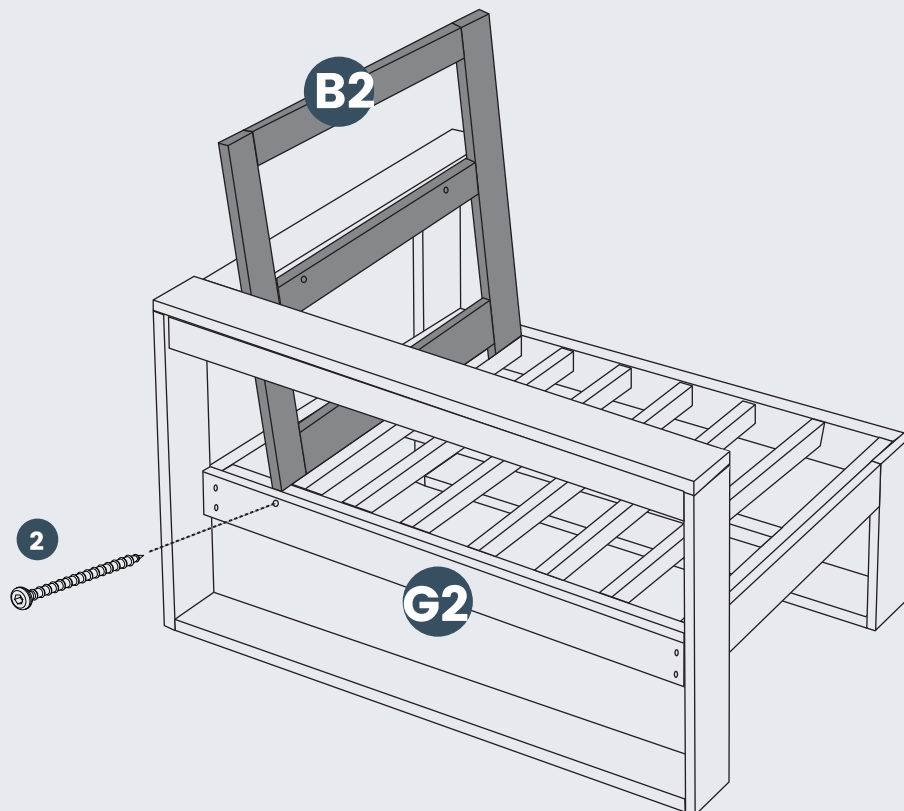
8

Place **Part B2 Backrest** onto **Part A2 Chair Seat** and **Part F2 Back Support** as below and attach with 1 pc of **Hardware #1 Screw**.



9

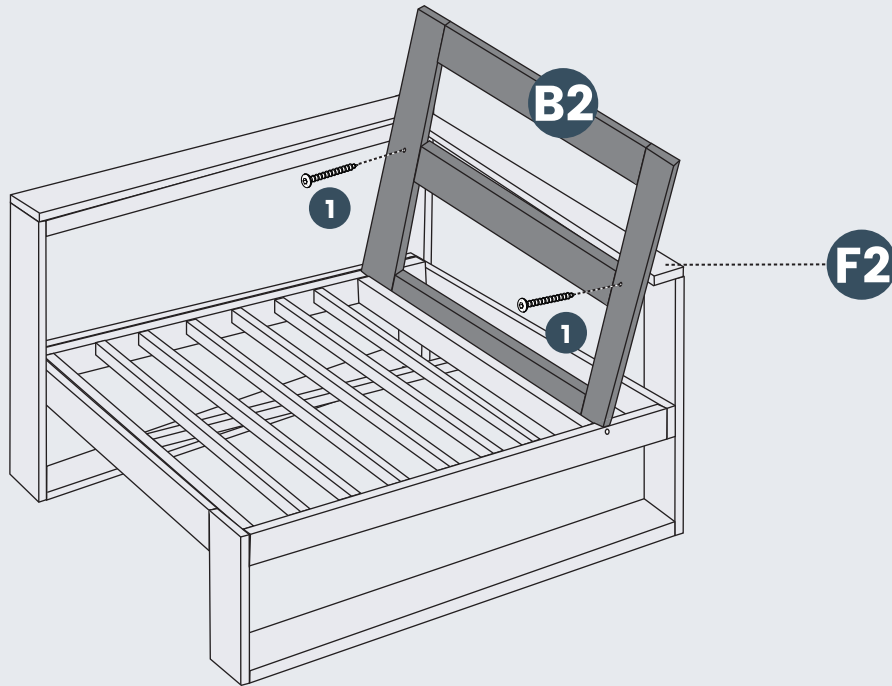
Attach **Part B2 Backrest** to **Part G2 Chair Right Arm** and **Part A2 Chair Seat** with 1 pc of **Hardware #2 Screw**.



PRODUCT ASSEMBLY

10

Attach **Part B2 Backrest** to **Part F2 Back Support** with 2 pcs of **Hardware #1 Screw**.

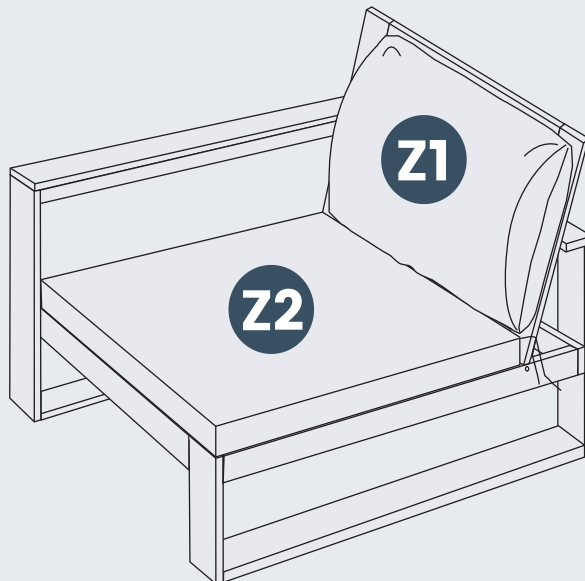


11

Check and tighten all the screws when the parts are loosely attached.

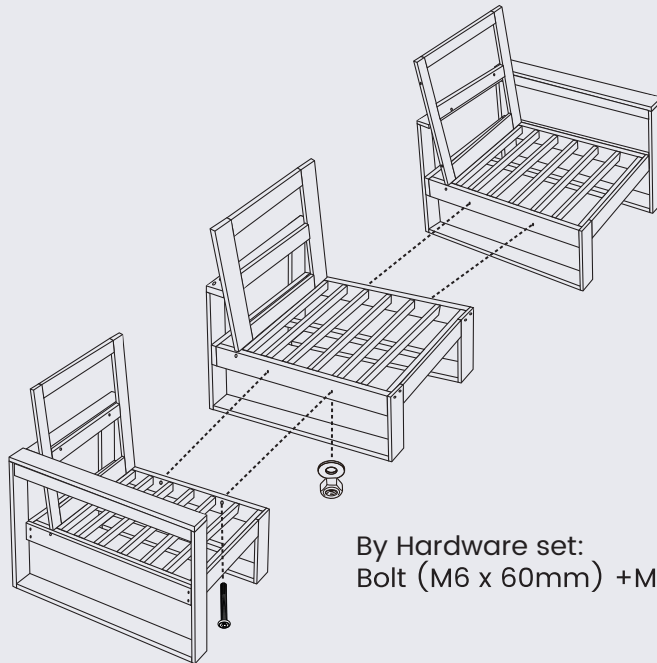
Place **Cushion Z1** and **Z2** onto the chair for comfortable use.

Tie the **Seat Cushion** to the **Chair Backrest** to make it steady.

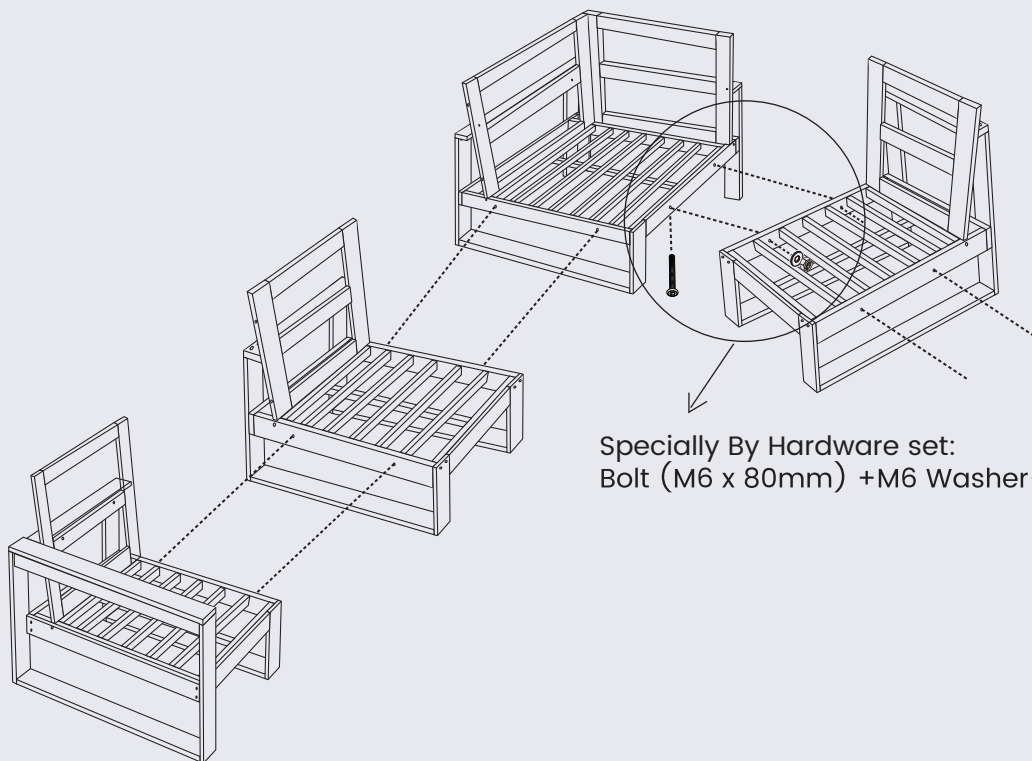


PRODUCT ASSEMBLY TIPS

This model can be combined with other Patio series products to form comfortable sofa set by connecting the seats together as following methods.



By Hardware set:
Bolt (M6 x 60mm) +M6 Washer+M6 Nut



Specially By Hardware set:
Bolt (M6 x 80mm) +M6 Washer+M6 Nut

CLEANING TIPS

REGULAR CLEAN: Use a mixture of warm water and mild soap. Gently scrub the surface with a soft bristle brush to remove any dirt or stains.

QUICK CLEAN: You can simply wipe down the furniture with a damp cloth.

Regular cleaning not only preserves the aesthetic appeal of your furniture, but also helps extend its lifespan.