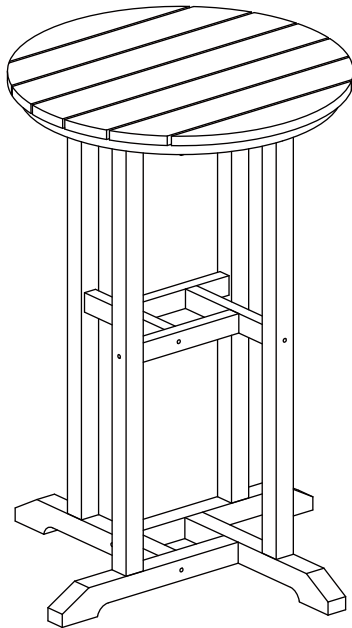


INSTRUCTION MANUAL



24" Round Counter Bistro Table
SKU: OP7003

V1.0

! NOTICE

Do not overtighten screws. (Insert all screws before tighten screws.)

- Please do not exceed the weight limitations of this item.
- Do not stand on or use any part of this item as a step ladder.
- Firmly secure all bolts, screws and nuts before use.
- Reconfirm that all bolts, screws, and nuts are secure every 90 days.
- Do not use or store this item in the proximity of open flame or flammable/combustible chemicals.
- Be aware that some parts are heavy and have sharp edges.
- Please adjust the speed slowly when you use electric drill for assembling to avoid screw slippage.

TOOLS REQUIRED



ALLEN WRENCH
(PROVIDED)



WRENCH
(PROVIDED)



TABLE
300 LBS
CAPACITY



1 PERSON
ASSEMBLY



UP TO 20MIN.
ASSEMBLY

HARDWARE

1

M6.3 x50mm
BOLT



4 PCS

2

M6.3 x70mm
BOLT



12 PCS

3

M6 x75mm
BOLT



4 PCS

4

M6 NUT



4 PCS

5

M6 WASHER



4 PCS

6

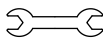
ALLEN
WRENCH



1 PC

7

WRENCH

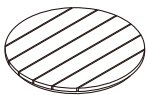


1 PC

PARTS

A

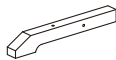
TABLE TOP



1 PC

B

TABLE
BOTTOM FEET



4 PCS

C

TABLE LEG



4 PCS

D

SIDE RAIL

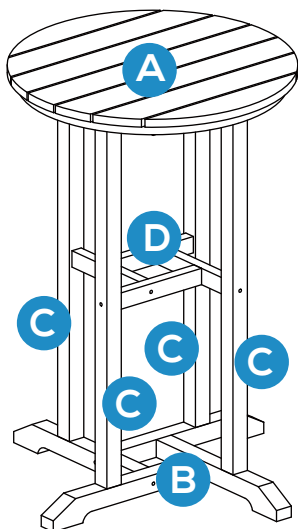


4 PCS

PRODUCT ASSEMBLY-OVERALL VIEW

1

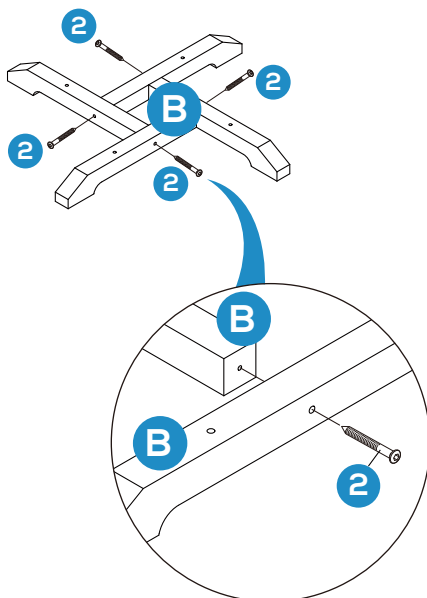
Look at following overall view of this table and exact position of each parts to be assembled.



PRODUCT ASSEMBLY

1

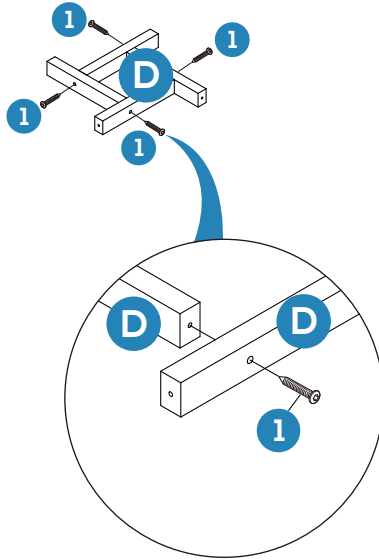
Attach part B Table bottom feet to part B Table bottom feet with 4 pcs of Hardware 2 Bolt.



PRODUCT ASSEMBLY

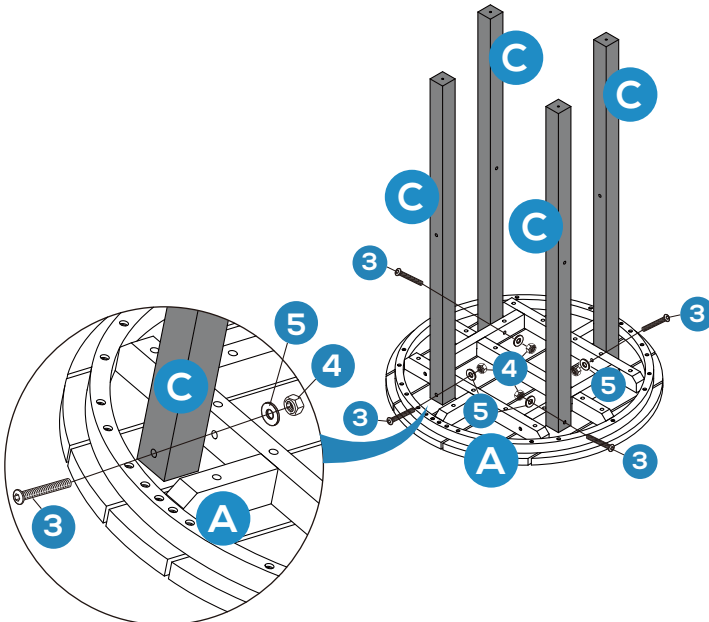
2

Attach part D Side rail to part D Side rail with 4 pcs of Hardware 1 Bolt.



3

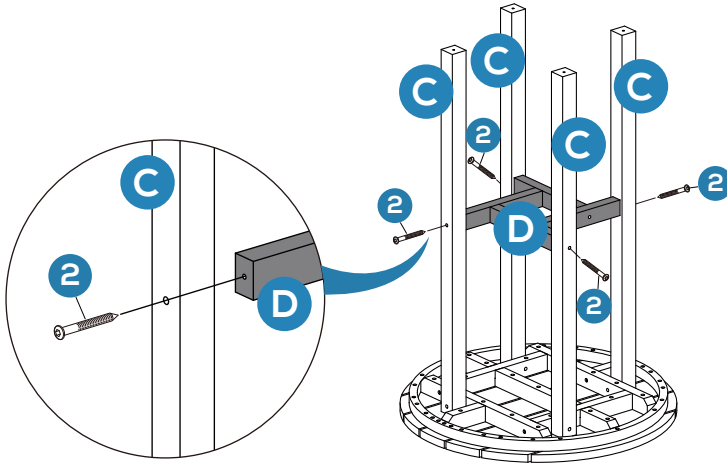
Attach part C Table leg to part A Table top with 4 pcs of Hardware 3 Bolt, 4 Nut and 5 Washer. Do not tighten screws too much at this step.



PRODUCT ASSEMBLY

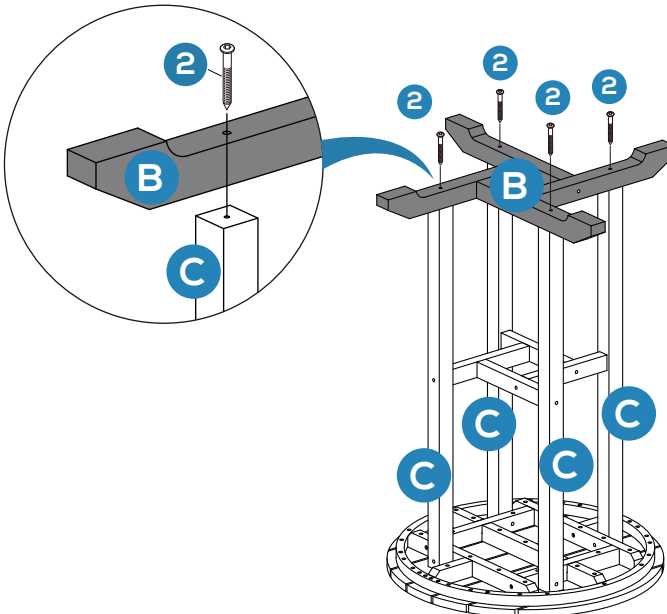
4

Attach part D Side rail to part C Table Leg with 4 pcs of Hardware 2 Bolt.



5

Attach part B Table bottom feet to part C Table Leg with 4 pcs of Hardware 2 Bolt.



PRODUCT ASSEMBLY

6

Check and tighten all the bolts and screws again and finish the assembly.

