

# ASSEMBLY INSTRUCTION

Item: 5601-80114-BLK / LTWD

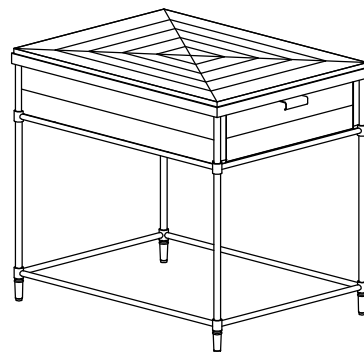
Decs: *RECTANGULAR END TABLE*

Thank you for purchasing this quality product. Be sure to unpack carefully looking for small parts which may have come loose during shipment.

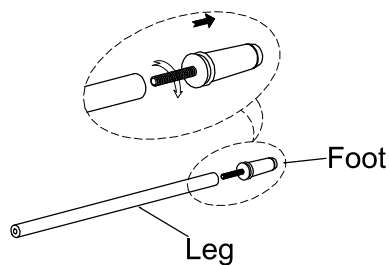
Read all instruction and study the drawing carefully before starting the assembly process:

### HARDWARE PACK

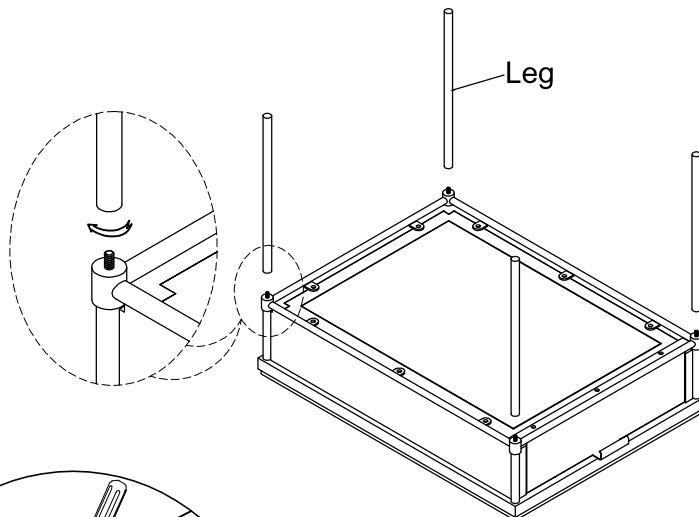
NO	DRAWING	DESCRIPTION	SIZE	Q'TY
A		ANTI-TIP		1set



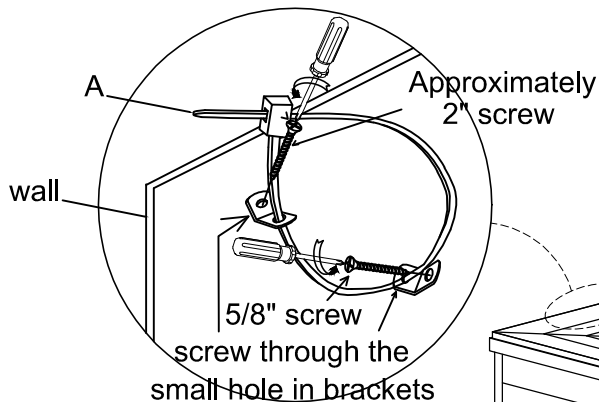
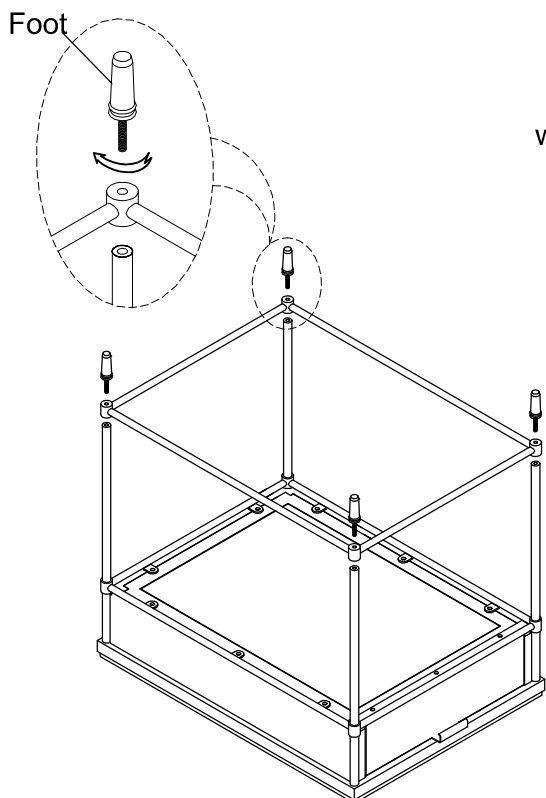
**Step 1** Foot and Leg were screwed together for shipping purposes. Firstly unscrew the Foot and Leg.



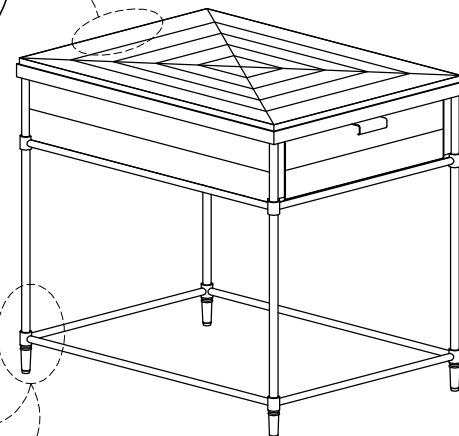
**Step 2** Attach the Legs to the Top frame.



**Step 3** Attach the Bottom Stretcher and the Foot to the assembled base.



Anti-tip kit is included for use  
We recommend installing for  
safety reason



Adjust leveler if needed to  
level case on uneven floor