

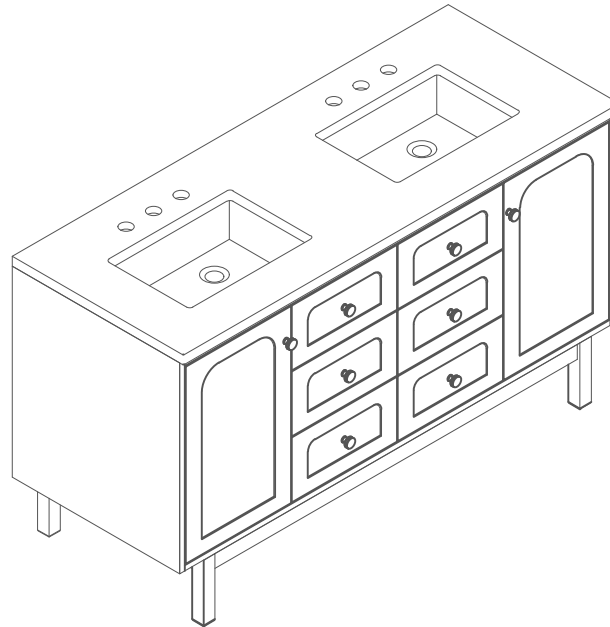
60" DOUBLE LAURENT VANITY

545-V60D-M-LNO

545-V60D-HNO

JAMES MARTIN
VANITIES

FREEPOWER COMPATIBLE



Features and Materials

Solids: (LNO) Ash, (HNO) Poplar

Veneers: (LNO) Flat Cut Ash

Panels: Plywood

Installation Type: Floor Standing with Wood Base or Wall Mounted

Number of Doors: Two

Number of Drawers: Four

Number of Tip Outs: Two

USB/Power Component: YES (ETL5011080)

Assembly Type: Installation of Optional 3cm Top with Sink

Assembly Type: Remove Base to Wall Hang (Hardware Included)

Bamboo Storage Tray: One

Drawer Box Material and Construction: 12mm Plywood/English Dovetail Joinery

Hardware Material and Finish: Zinc Alloy in Champagne Brass

Number of Basins: Two, with Optional 3cm Top

Vanity Top Included : NO, Optional 3cm Tops Available with Sinks

Overflow: Yes, Front Facing

Fits Drain Hole Size: 1 3/4"

Full Extension, Soft Close Glides

European Soft Close Hinges

Aluminum Laminate Drawer Liners

Adjustable Levelers

Dimension

Width: 59-7/8"

Depth: 23"

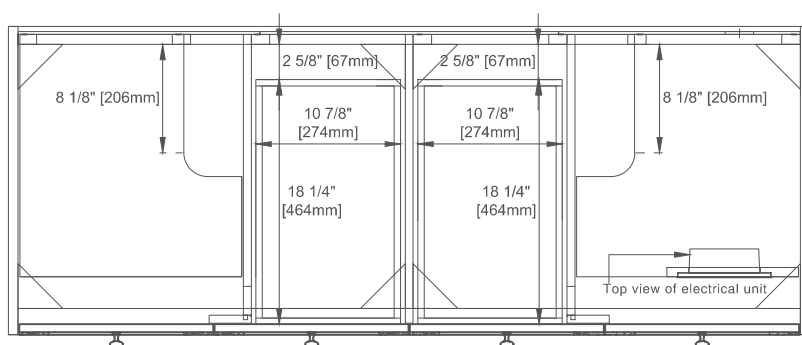
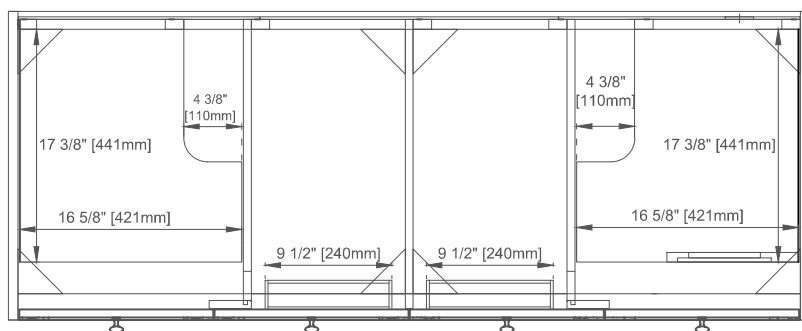
Height: 33"

Rough-In Height: 21-1/2"

60" DOUBLE LAURENT VANITY

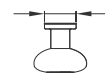
545-V60D-M-LNO
545-V60D-HNO

JAMES MARTIN VANITIES



Top View

Ø5/8" Ø15mm

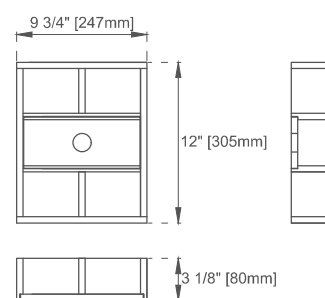


7/8" [23mm]

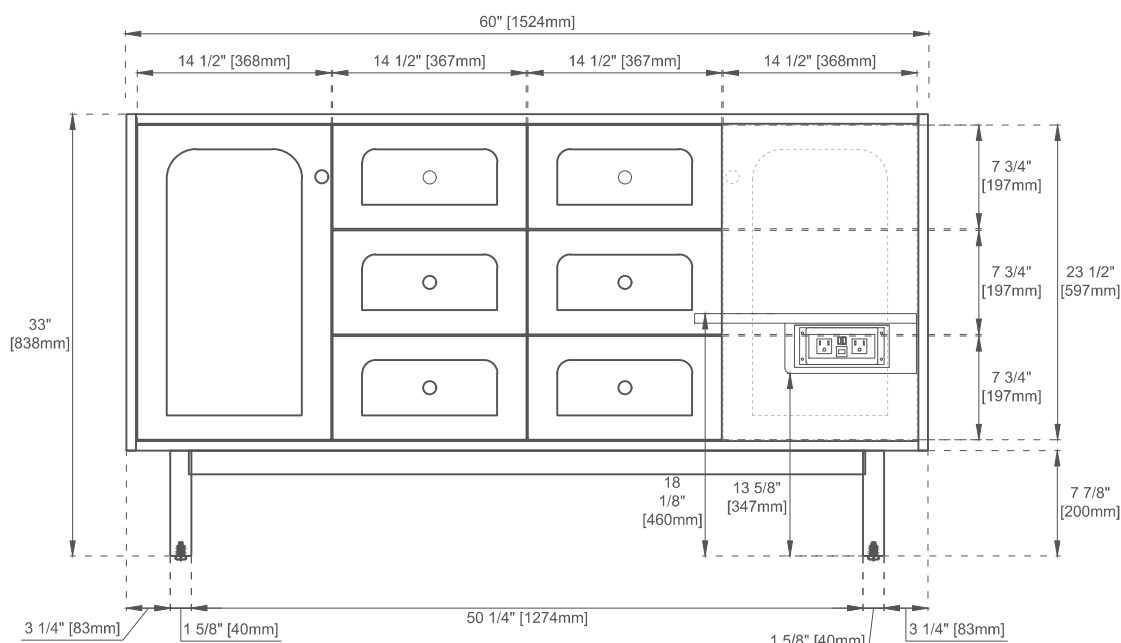
Ø1" [Ø25mm] Ø5/8" [Ø15mm]



Knob



Bamboo Drawer Organizer



Front View

All dimensions are nominal
Diagrams are of cabinet only—James Martin Optional Countertops and sinks are not shown

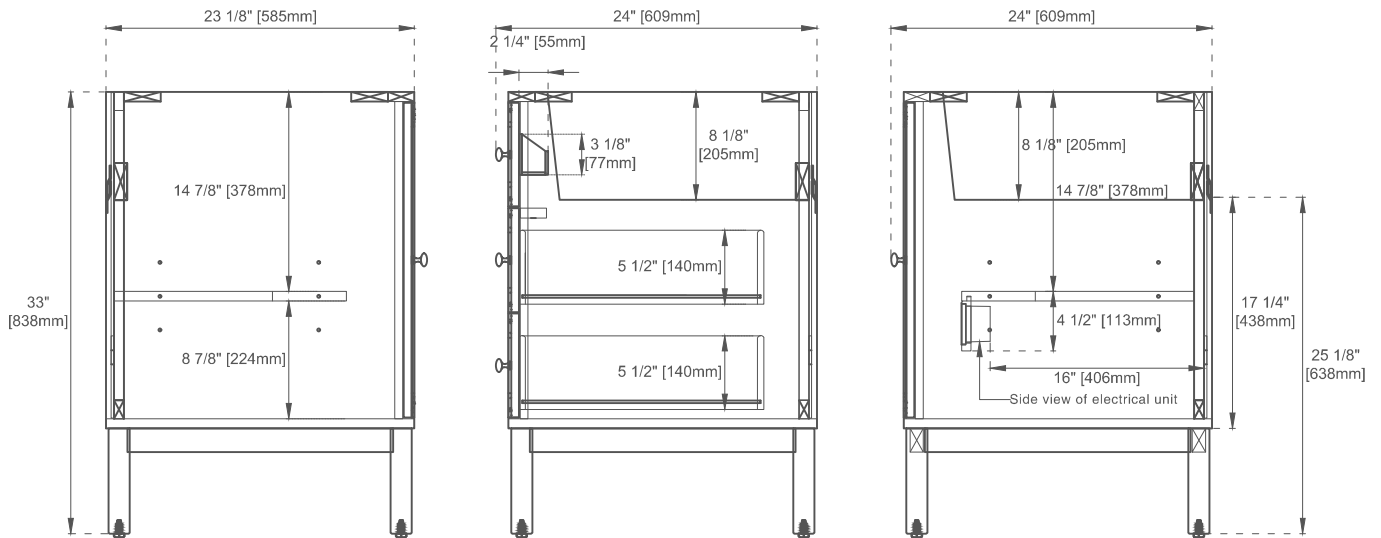
Visit website for warranty and installation information
www.jamesmartinvanities.com

60" DOUBLE LAURENT VANITY

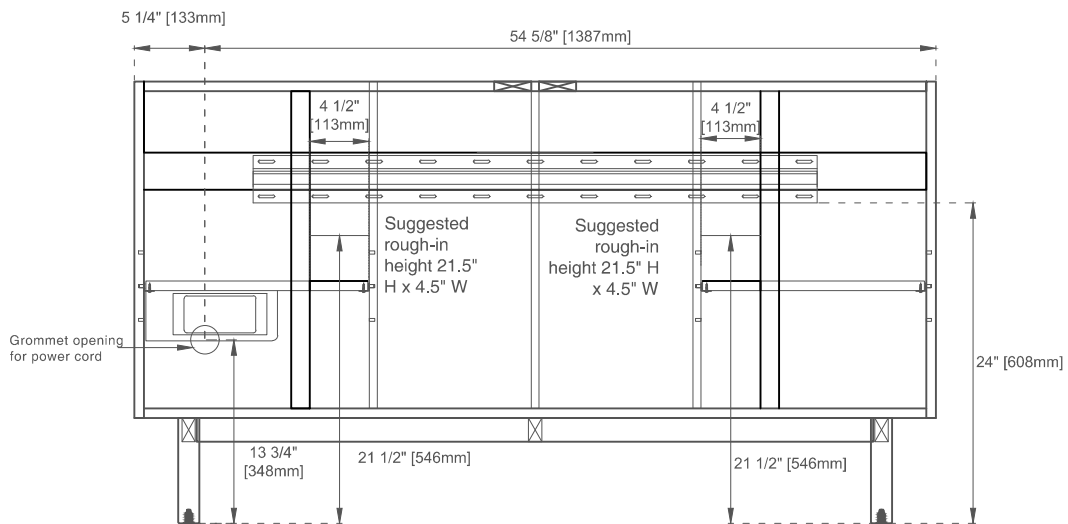
JAMES MARTIN VANITIES

545-V60D-M-LNO

545-V60D-HNO



Side View



Back View

All dimensions are nominal
Diagrams are of cabinet only—James Martin Optional Countertops and sinks are not shown

Visit website for warranty and installation information
www.jamesmartinvanities.com