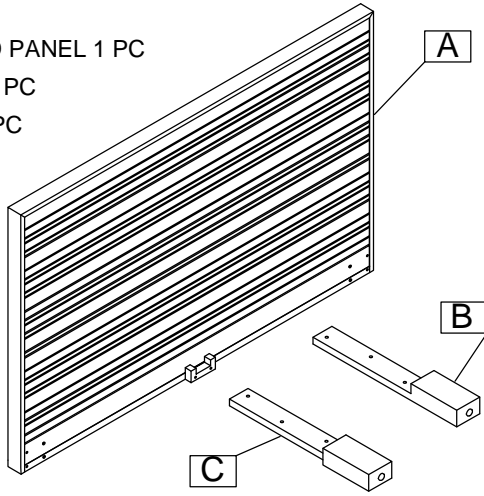


BATTEN PANEL FULL / QUEEN / KING BED ASSEMBLY INSTRUCTIONS



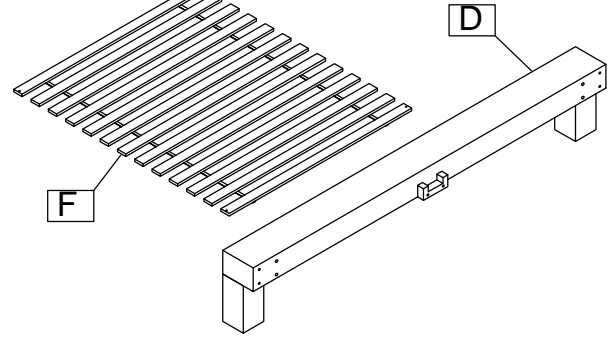
BOX #1

- A. HEADBOARD PANEL 1 PC
- B. RIGHT LEG 1 PC
- C. LEFT LEG 1 PC



BOX #2

- D. FOOTBOARD 1 PC
- F. SLAT ROLL 1 SET
- BED HARDWARE BOX

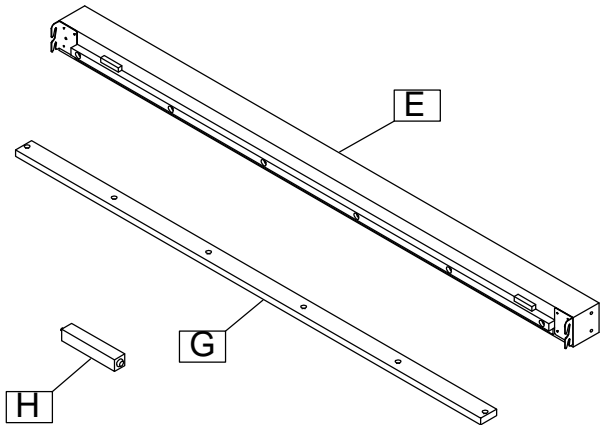


HARDWARE KIT PACKED IN BOX #1

No.	DESCRIPTION	IMAGE	QUANTITY
1	ALLEN BOLT (5/16"x40mm)		6 PCS
2	LOCK WASHER (5/16"x2mm)		6 PCS
3	FLAT WASHER (8x19mm)		6 PCS
4	ALLEN KEY		1 PC

BOX #3 :

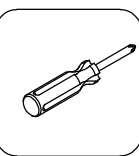
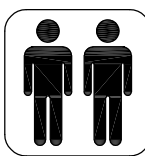
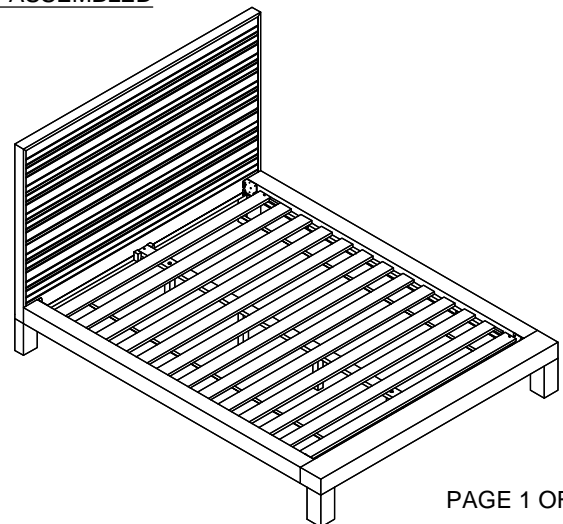
- E. SIDE RAIL 2 PCS
- G. CENTER SLAT SUPPORT 1PC
- H. SUPPORT LEG 4PCS



HARDWARE KIT PACKED IN BOX #2

No.	DESCRIPTION	IMAGE	QUANTITY
1	METAL DOWEL (8x40mm)		8 PCS
2	ALLEN BOLT (5/16"x20mm)		8 PCS
3	LOCK WASHER (5/16"x2mm)		8 PCS
4	FLAT WASHER (8x19mm)		8 PCS
5	WOOD SCREW (4x30mm)		6 PCS
6	ALLEN KEY		1 PC

FULLY ASSEMBLED



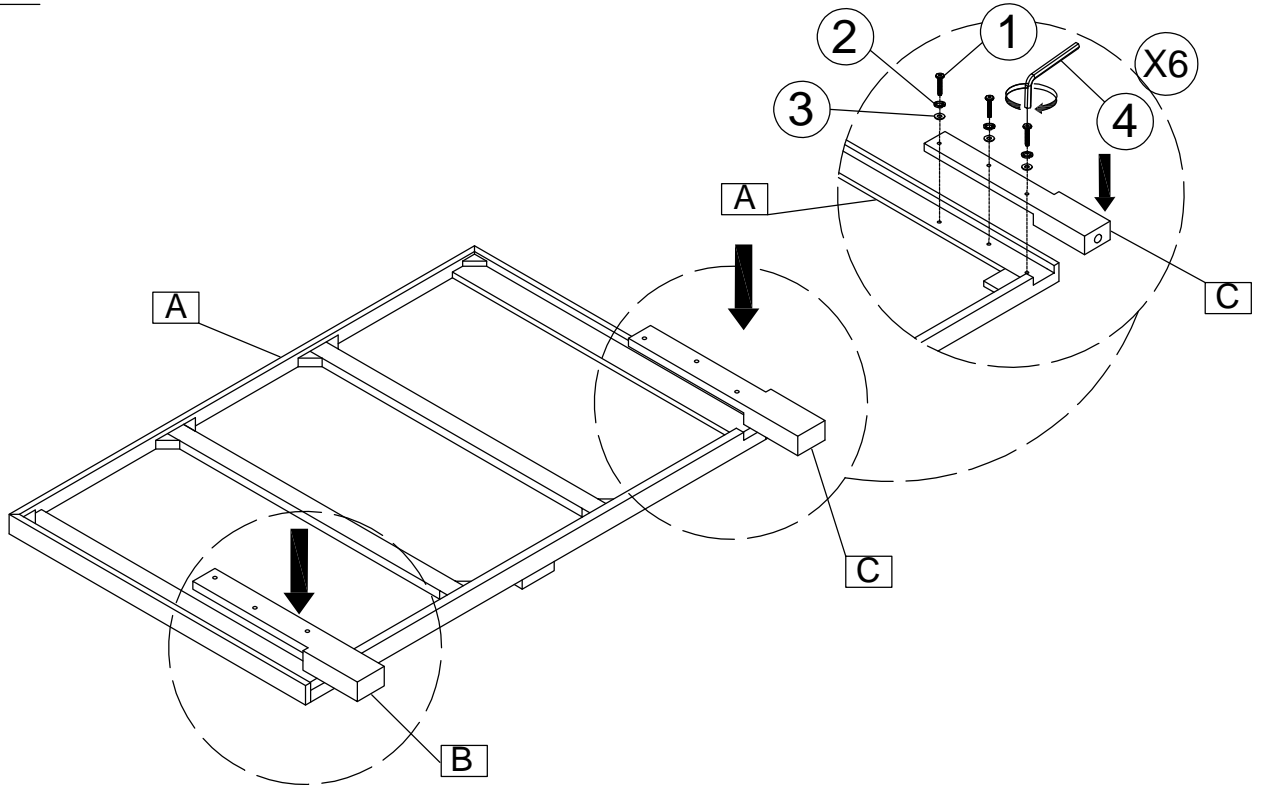
Not provided

ASSEMBLE ON A SOFT SURFACE

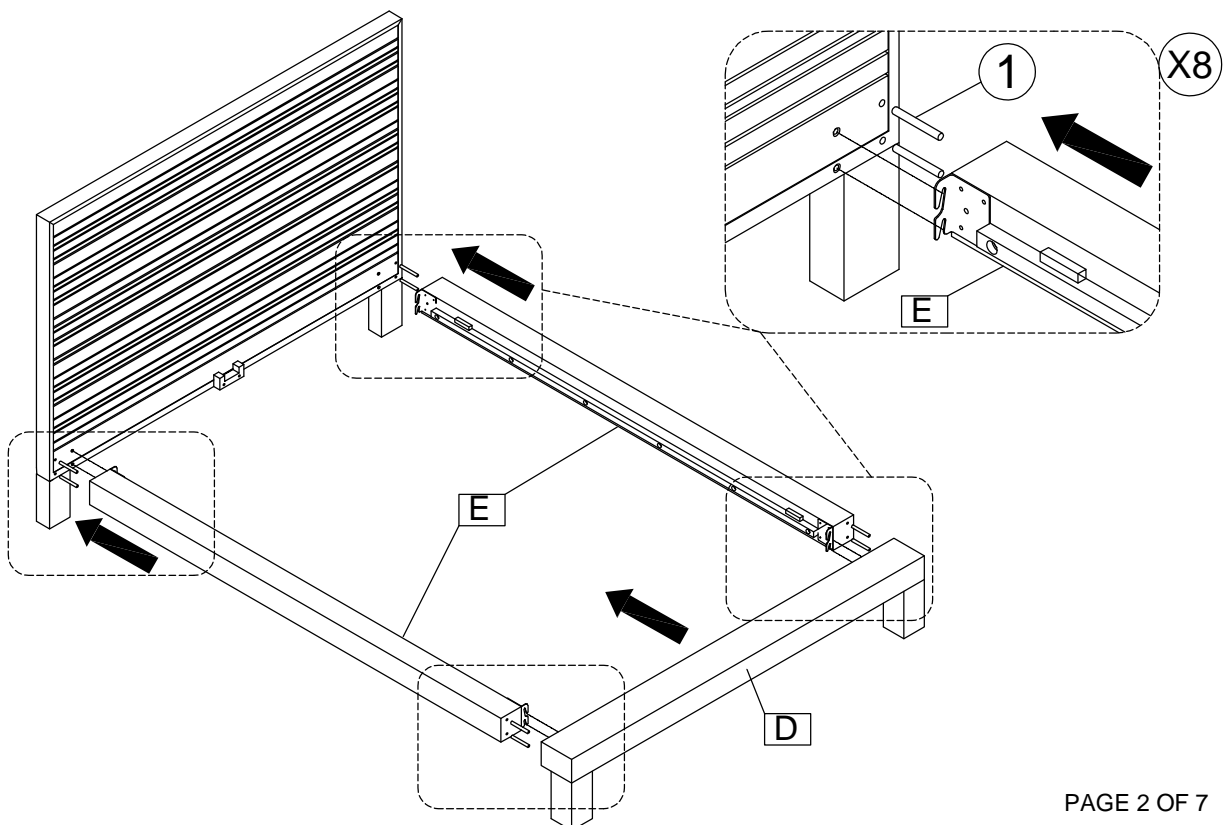
BATTEN PANEL FULL / QUEEN / KING BED ASSEMBLY INSTRUCTIONS



STEP #1: USE HARDWARE PACKED IN BOX # 1 FOR STEP 1.



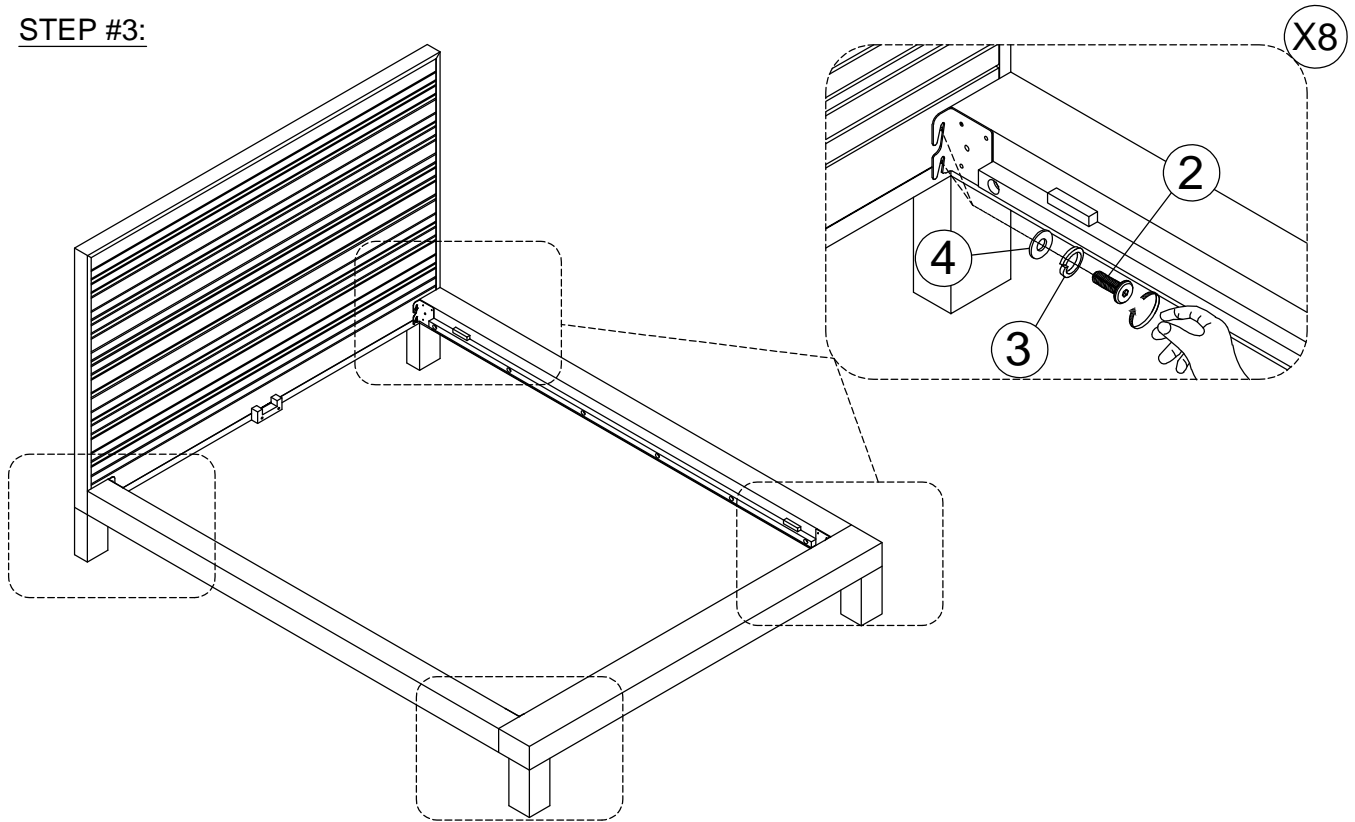
STEP #2: USE HARDWARE PACKED IN BOX # 2 FOR STEP 2 AND ALL THAT FOLLOW .



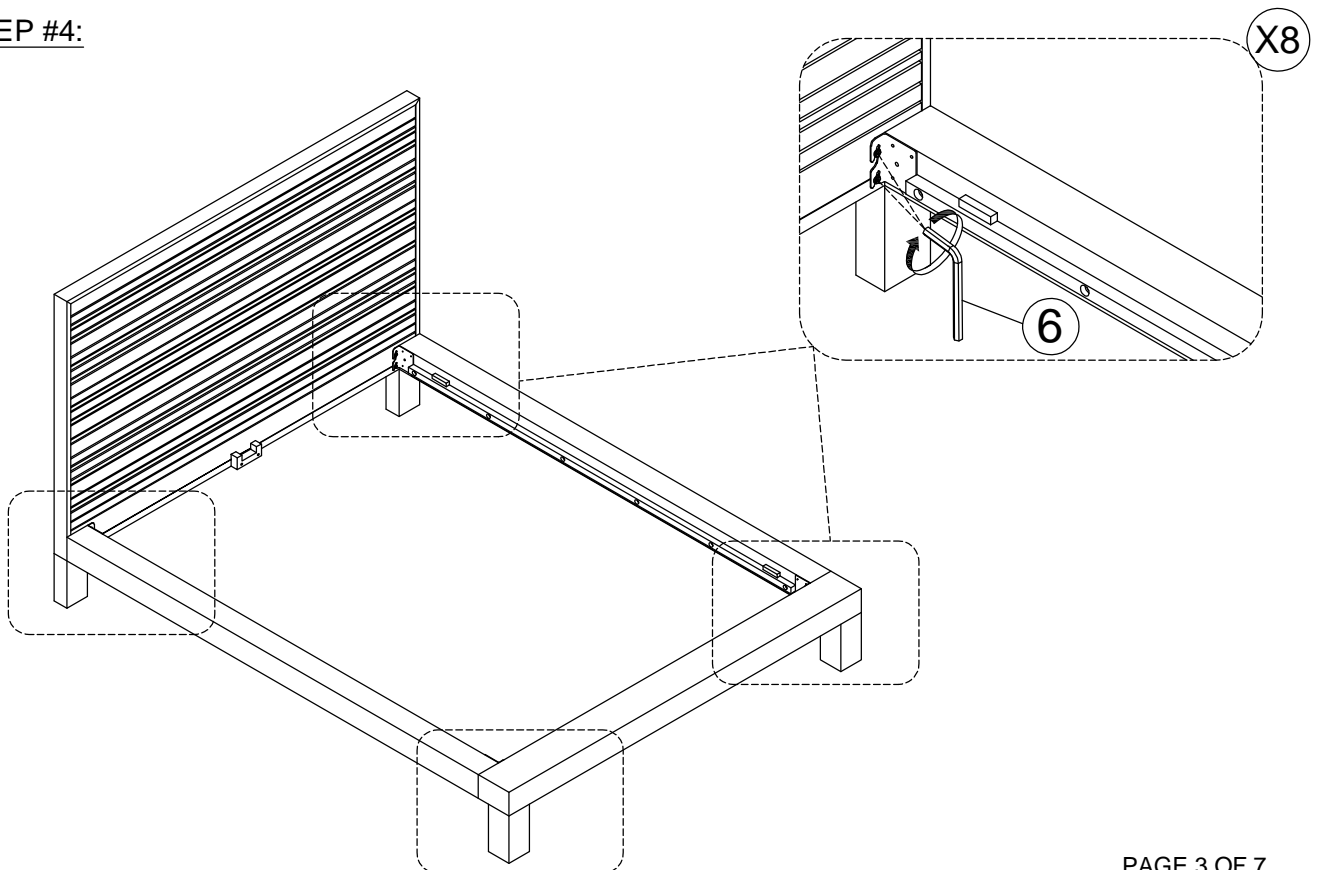
BATTEN PANEL FULL / QUEEN / KING BED ASSEMBLY INSTRUCTIONS



STEP #3:



STEP #4:



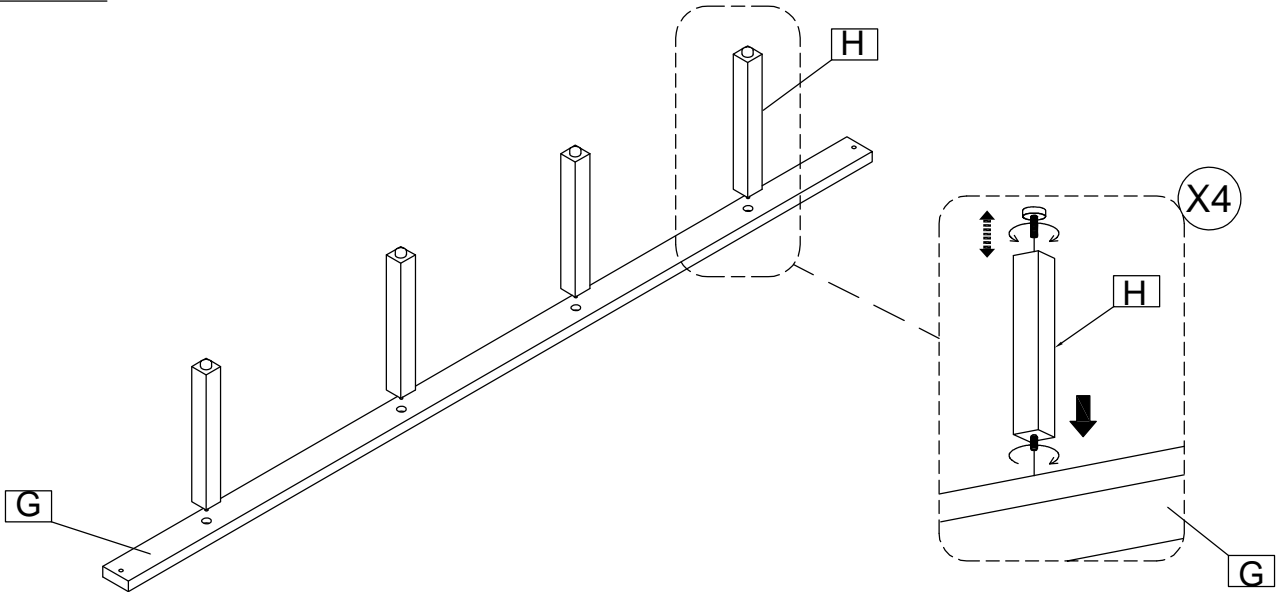
BATTEN PANEL FULL / QUEEN / KING BED ASSEMBLY INSTRUCTIONS



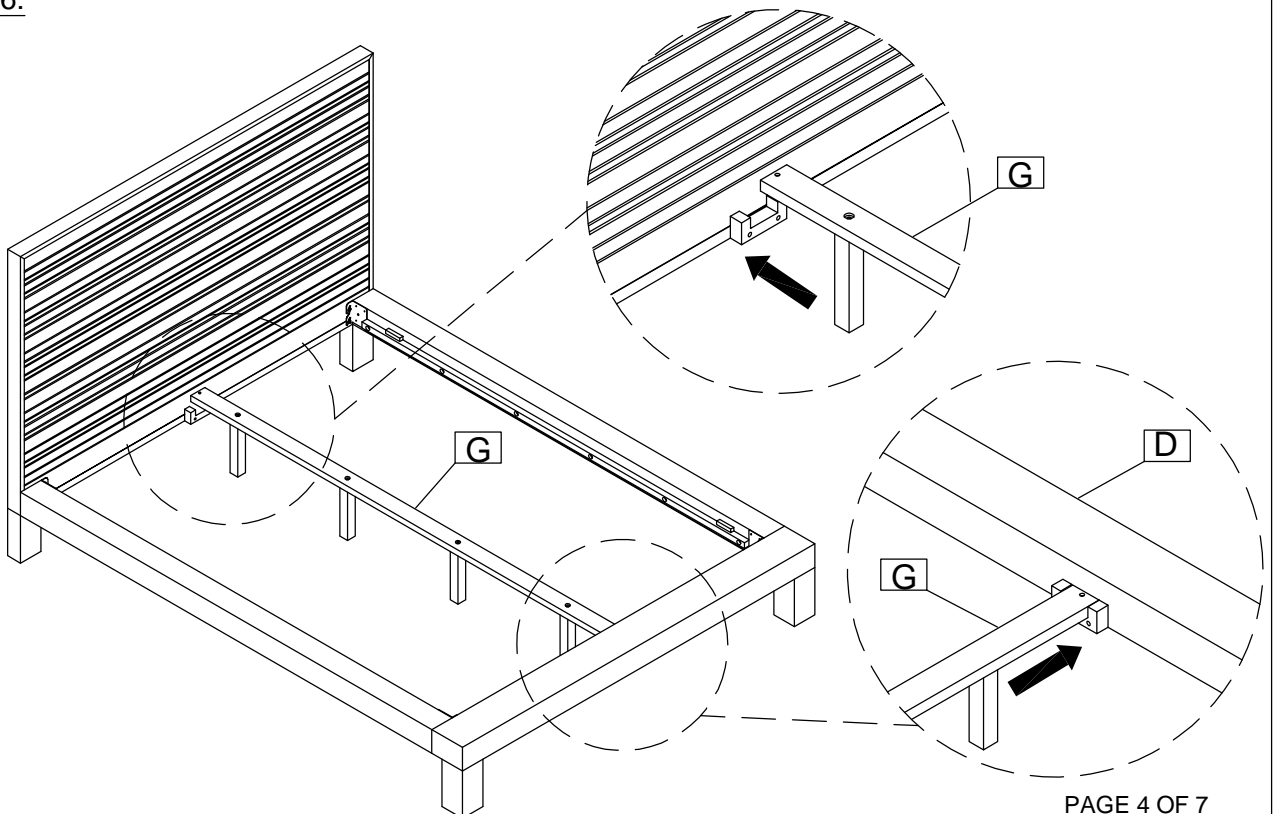
STOP

- * IF USING BED FRAME WITH ADJUSTABLE MATTRESS BASE, SKIP TO APPENDIX A: ADJUSTABLE MATTRESS BASE ASSEMBLY SUPPLEMENT.
- * IF USING BED FRAME WITH STANDARD BOX SPRING OR FOUNDATION CONTINUE TO STEP 5.

STEP #5:



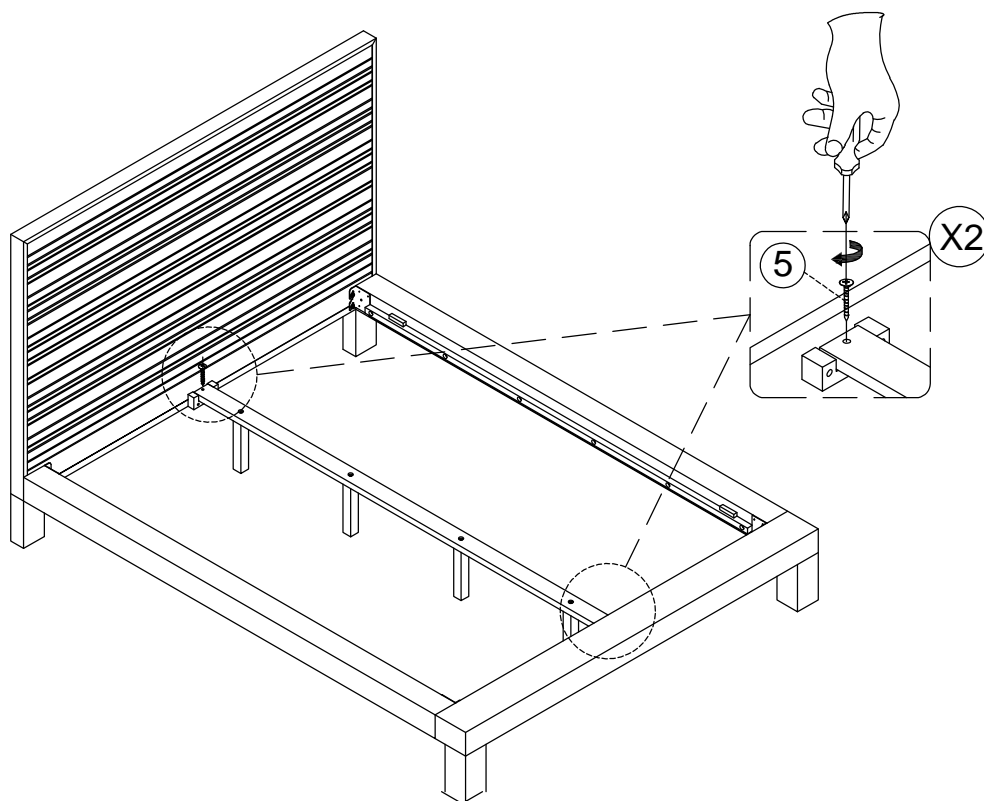
STEP #6:



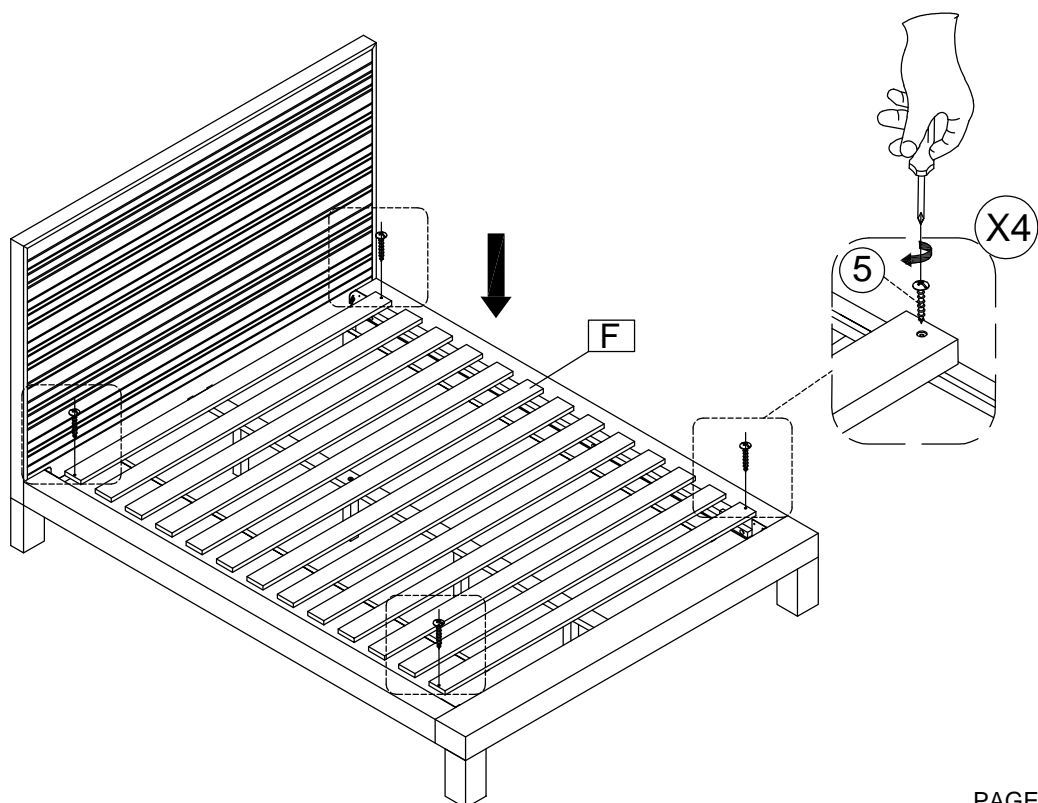
BATTEN PANEL FULL / QUEEN / KING BED ASSEMBLY INSTRUCTIONS



STEP #7:



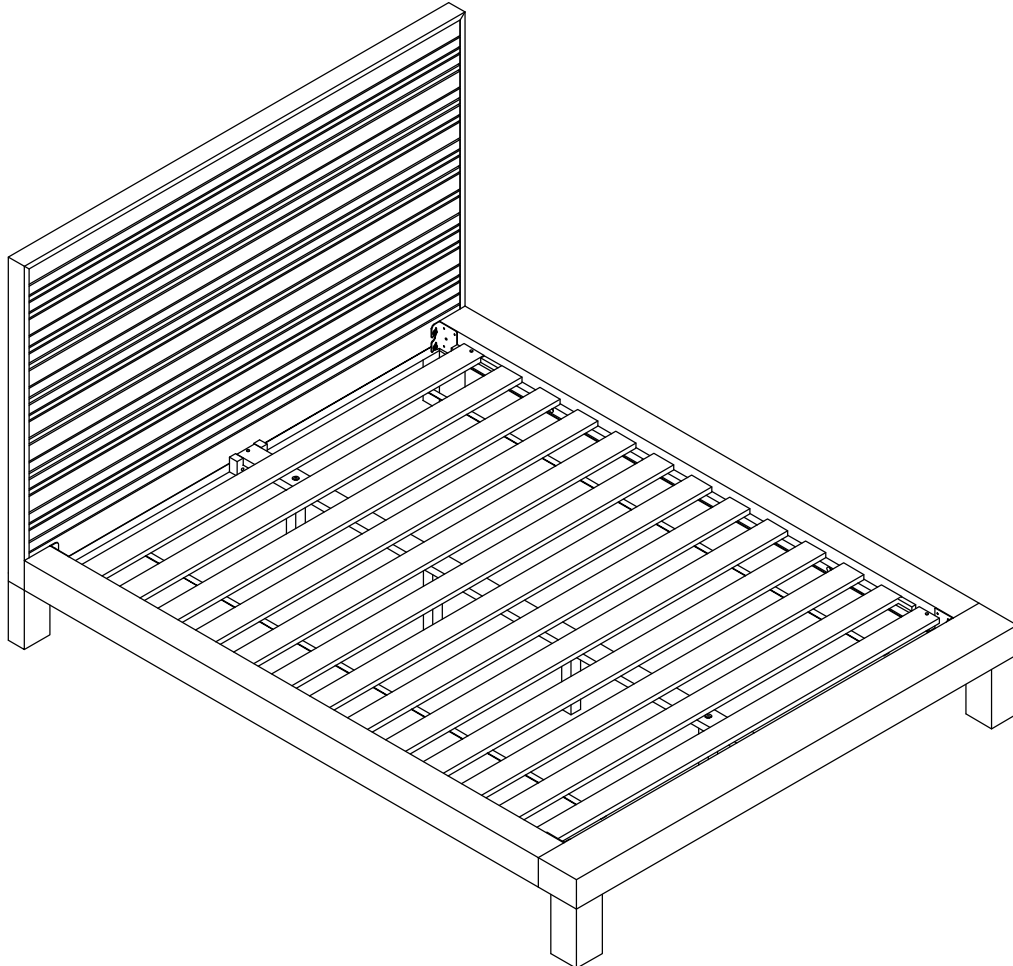
STEP #8:



BATTEN PANEL FULL / QUEEN / KING BED ASSEMBLY INSTRUCTIONS

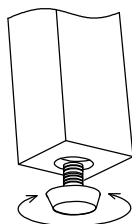


ASSEMBLY COMPLETE.



INSTRUCTIONS FOR ADJUSTING LEVELER:

- POSITION THE BED IN YOUR SPACE AND LOCATE THE LEVELER UNDER EACH SUPPORT LEG.
- TURN THE LEVELER COUNTER- CLOCKWISE TO EXTEND THE LEVELER AND CLOCKWISE TO RETRACT IT.
- ADJUST EACH LEVELER UNTIL EACH SUPPORT LEG IS APPLYING EQUAL, UPWARD PRESSURE ON THE BED SUPPORT SLAT.



MAINTENANCE INSTRUCTIONS:

- REMOVE BOX SPRING AND MATTRESS BEFORE MOVING YOUR BED.
- LIFT YOUR BED WHEN MOVING IT. DRAGGING CAN DAMAGE THE LEG SUPPORT.
- READJUST LEVELERS AFTER MOVING YOUR BED.

BATTEN PANEL FULL / QUEEN / KING BED ASSEMBLY INSTRUCTIONS

APPENDIX A: ADJUSTABLE MATTRESS BASE ASSEMBLY SUPPLEMENT



AN ADJUSTABLE MATTRESS BASE IS A FREESTANDING MATTRESS SUPPORT THAT SITS WITHIN THE PERIMETER OF THE BED FRAME.

IF USING THIS BED FRAME WITH A STANDARD BOX SPRING OR FOUNDATION THESE INSTRUCTIONS DO NOT APPLY.

PRE-ASSEMBLED SIDE RAIL CLEATS OBSTRUCT ADJUSTABLE BASE INSTALLATION AND OPERATION.

FOLLOW THESE INSTRUCTIONS TO REMOVE THEM.

THE FOLLOWING PARTS ARE NOT REQUIRED FOR ADJUSTABLE MATTRESS BASE INSTALLATION:

F. SLAT ROLL 1SET

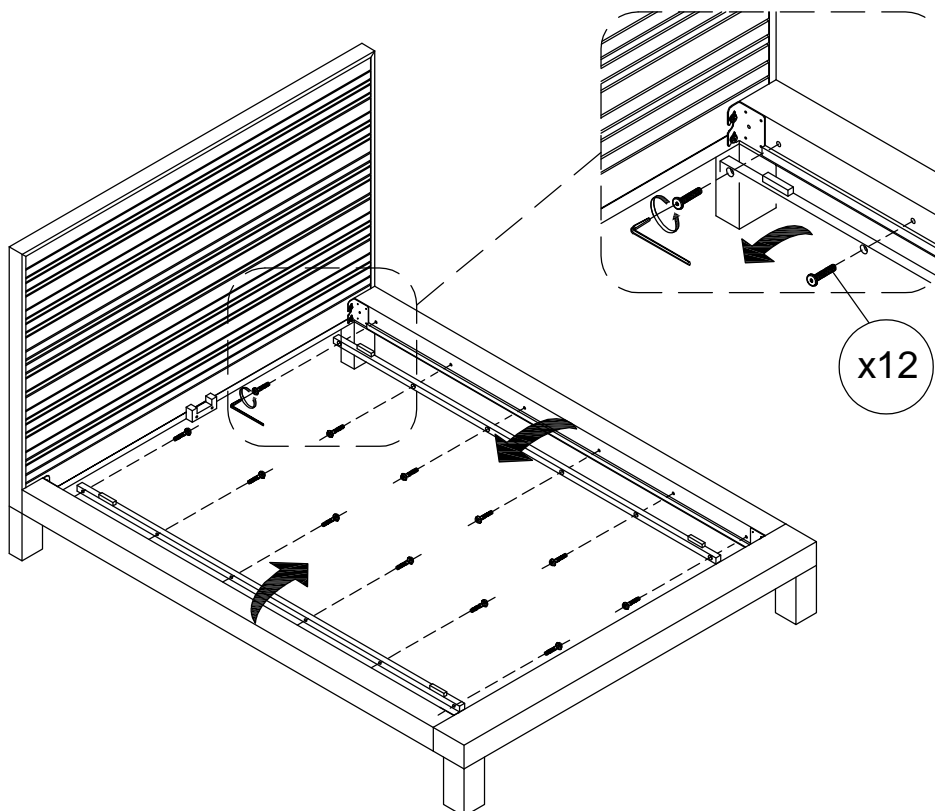
5. WOOD SCREW (4x30MM) 6PCS

G. CENTER SLAT SUPPORT 1PC

H. SUPPORT LEG 4PCS

STEP 1:

USE ALLEN KEY (6) IN BOX #2 TO UNSCREW ALLEN BOLTS AND REMOVE PRE-ASSEMBLED SIDE RAIL CLEATS.



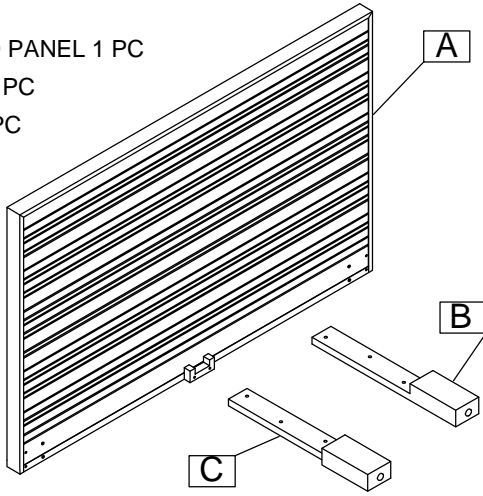
NOTE: YOU MAY WISH TO RETAIN UNUSED PARTS IF IN THE FUTURE YOU INTEND TO USE THE BED FRAME WITH A STANDARD BOX SPRING OR FOUNDATION

BATTEN PANEL CAL KING BED ASSEMBLY INSTRUCTIONS



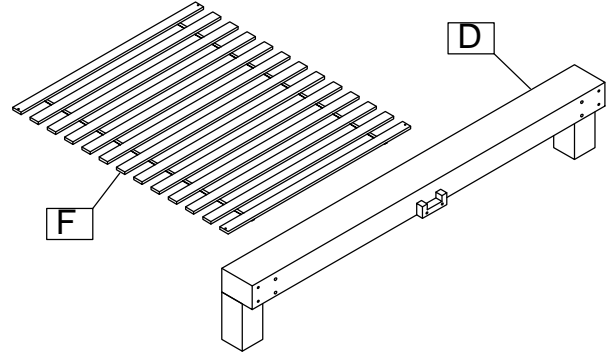
BOX #1

- A. HEADBOARD PANEL 1 PC
- B. RIGHT LEG 1 PC
- C. LEFT LEG 1 PC



BOX #2

- D. FOOTBOARD 1 PC
- F. SLAT ROLL 1 SET
- BED HARDWARE BOX

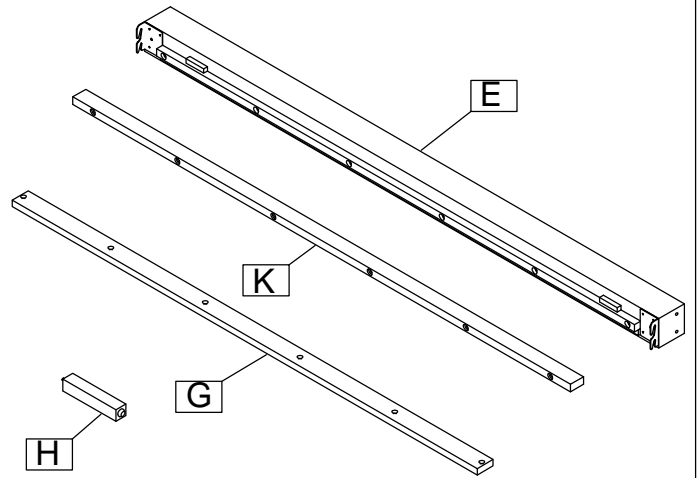


HARDWARE KIT PACKED IN BOX #1

No.	DESCRIPTION	IMAGE	QUANTITY
1	ALLEN BOLT (5/16"x40mm)		6 PCS
2	LOCK WASHER (5/16"x2mm)		6 PCS
3	FLAT WASHER (8x19mm)		6 PCS
4	ALLEN KEY		1 PC

BOX #3 :

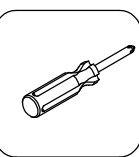
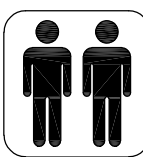
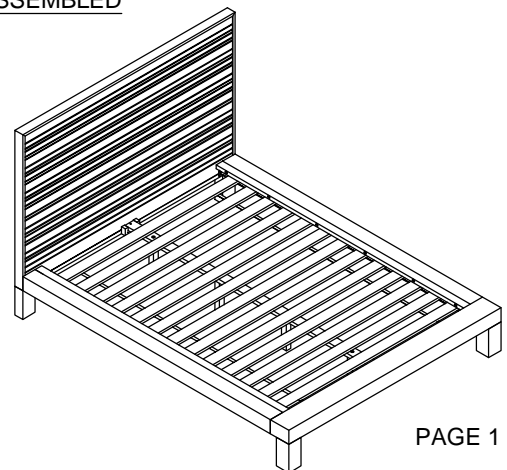
- E. SIDE RAIL 2 PCS
- G. CENTER SLAT SUPPORT 1PC
- K. MATTRESS SPACER 2PCS
- H. SUPPORT LEG 4PCS



HARDWARE KIT PACKED IN BOX #2

No.	DESCRIPTION	IMAGE	QUANTITY
1	METAL DOWEL (8x40mm)		8 PCS
2	ALLEN BOLT (5/16"x20mm)		8 PCS
3	ALLEN BOLT (1/4"x50mm)		12 PCS
4	LOCK WASHER (5/16"x2mm)		20 PCS
5	FLAT WASHER (8x19mm)		20 PCS
6	WOOD SCREW (4x30mm)		6 PCS
7	ALLEN KEY		1 PC

FULLY ASSEMBLED

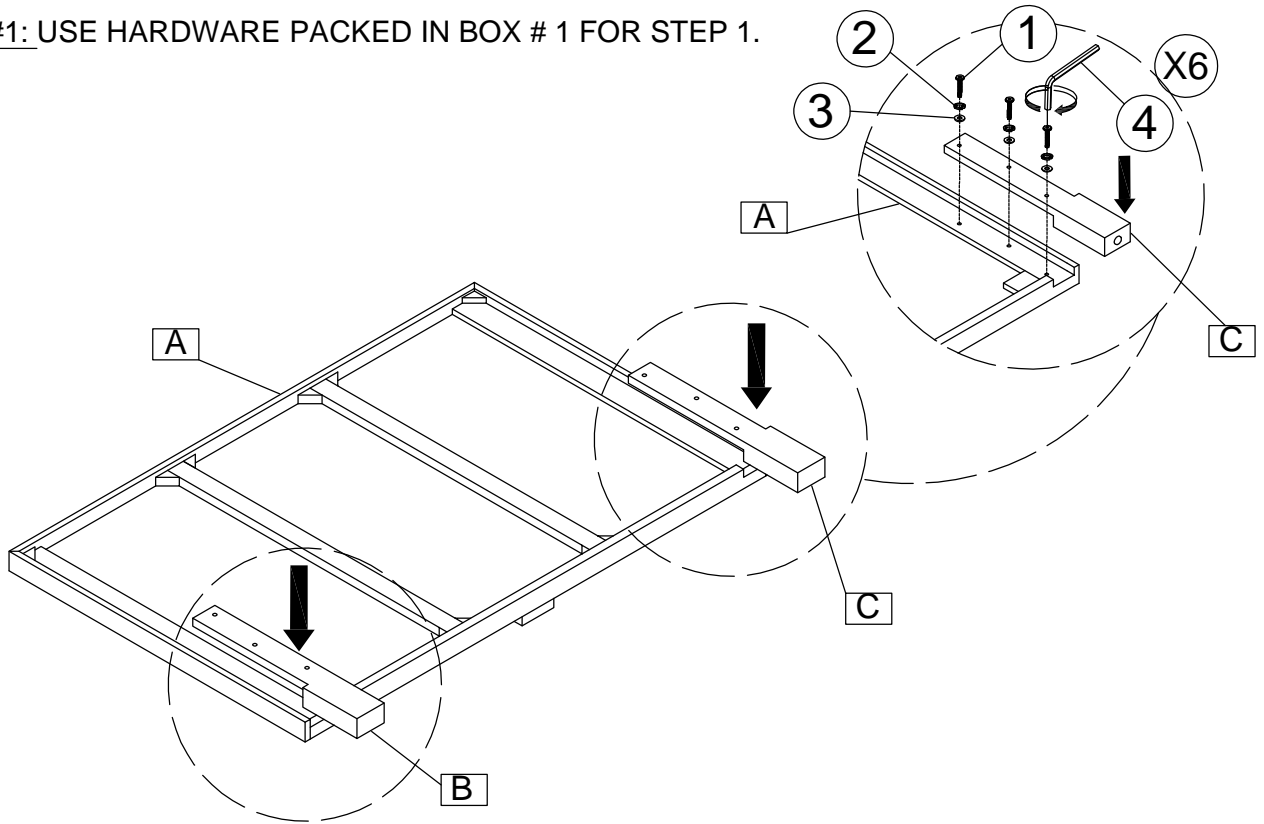


ASSEMBLE ON A SOFT SURFACE

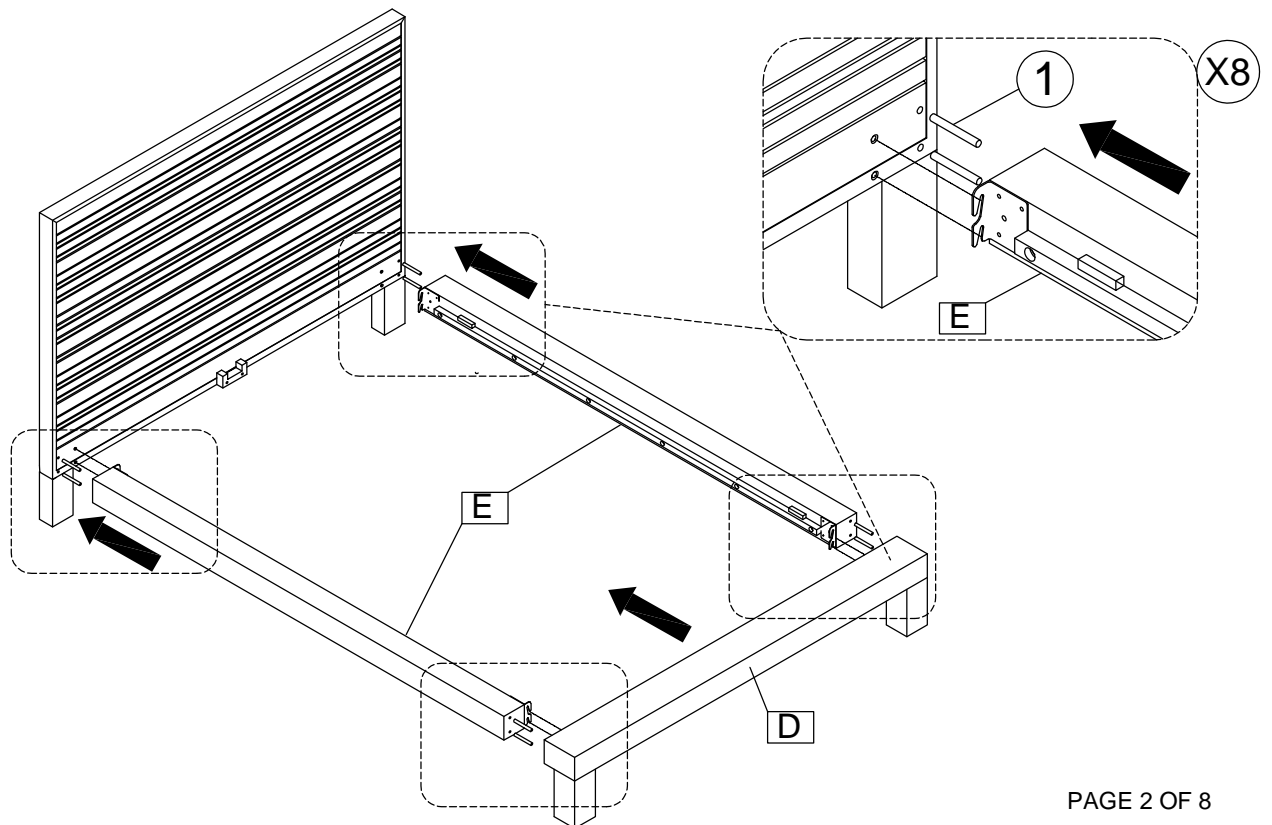
BATTEN PANEL CAL KING BED ASSEMBLY INSTRUCTIONS



STEP #1: USE HARDWARE PACKED IN BOX # 1 FOR STEP 1.



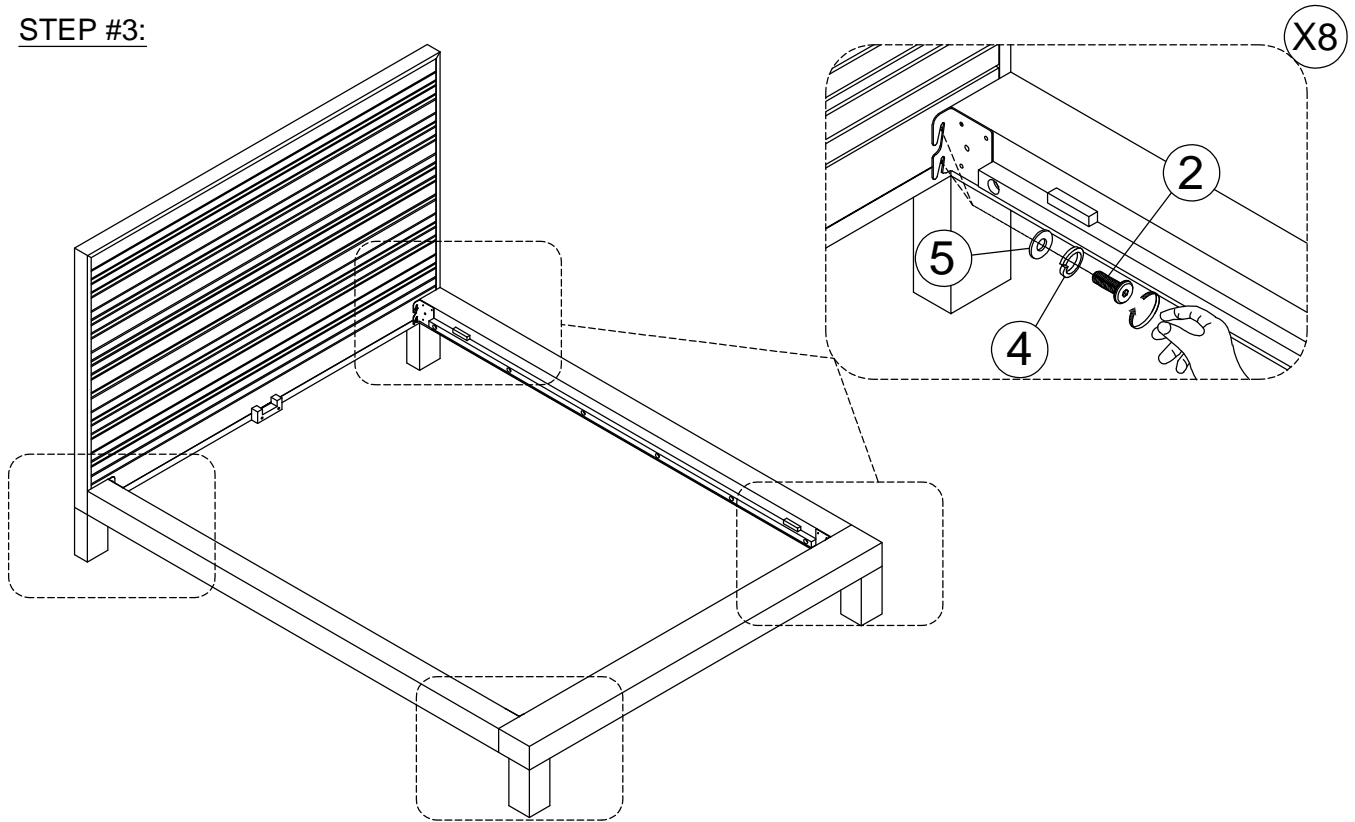
STEP #2: USE HARDWARE PACKED IN BOX # 2 FOR STEP 2 AND ALL THAT FOLLOW .



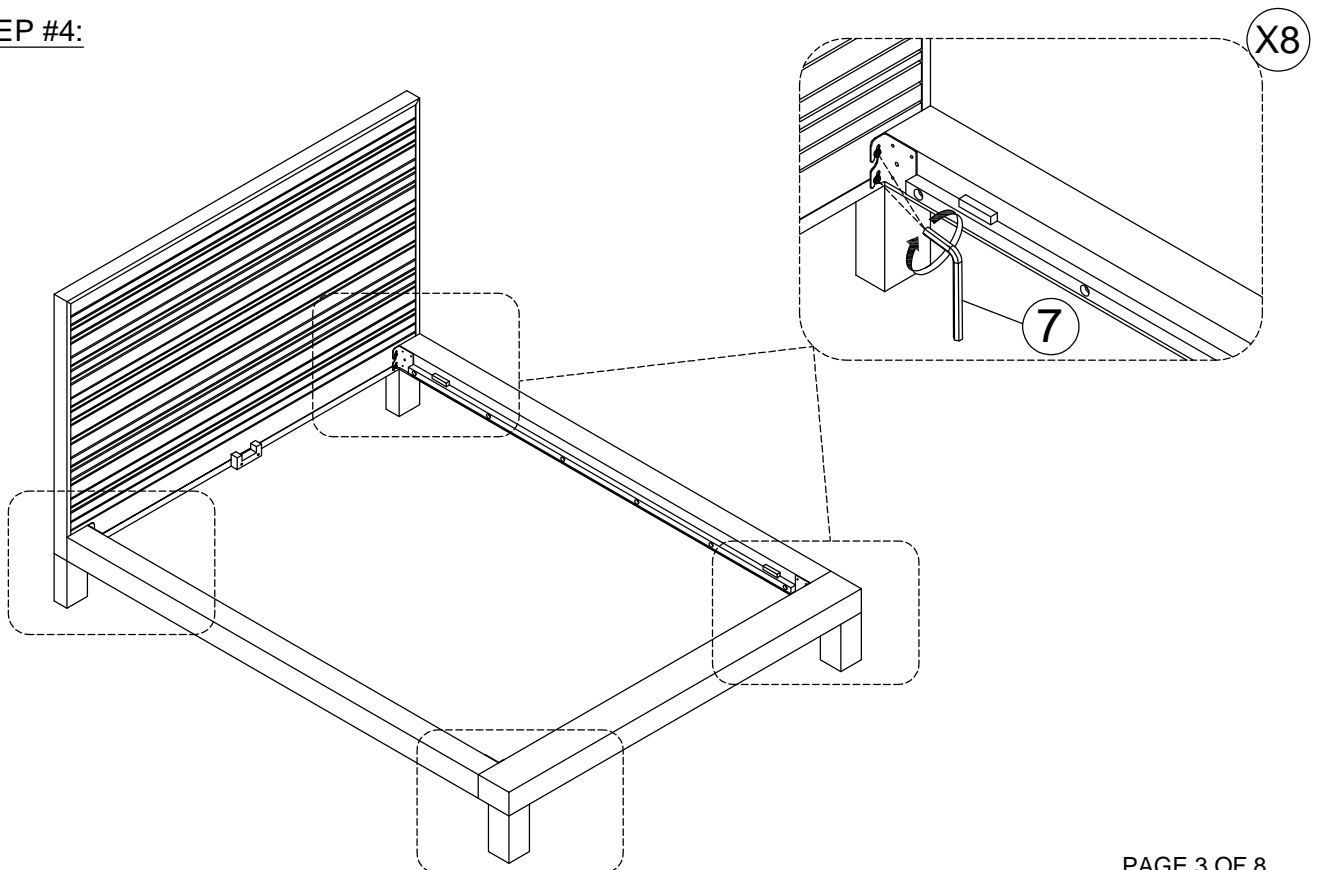
BATTEN PANEL CAL KING BED ASSEMBLY INSTRUCTIONS



STEP #3:



STEP #4:



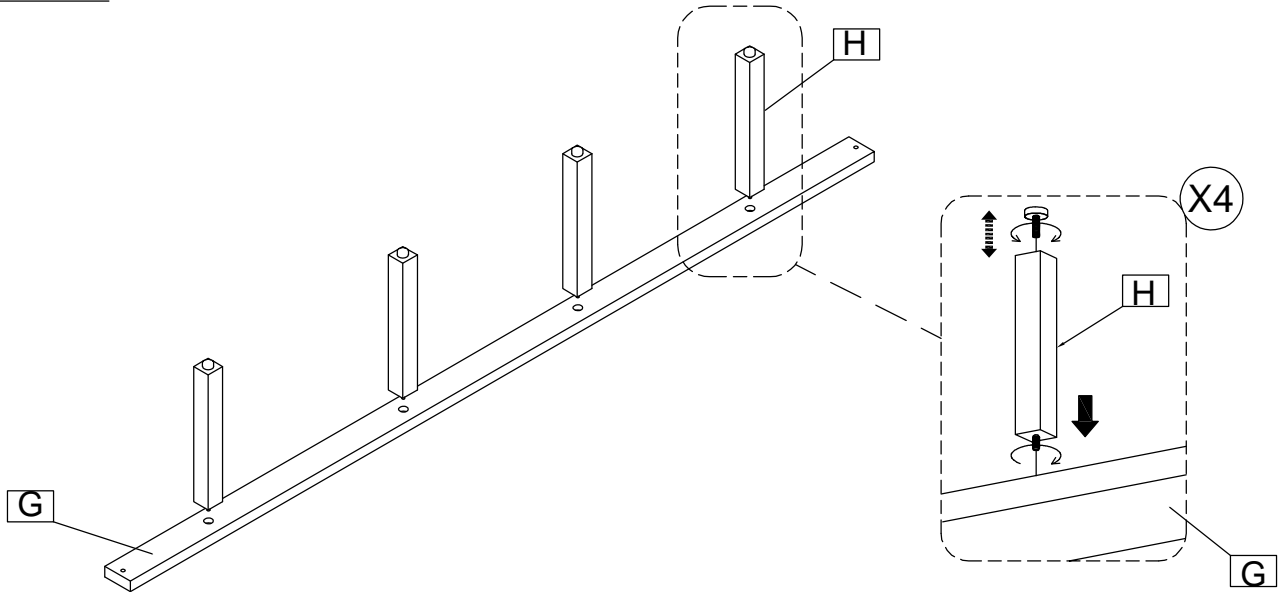
BATTEN PANEL CAL KING BED ASSEMBLY INSTRUCTIONS



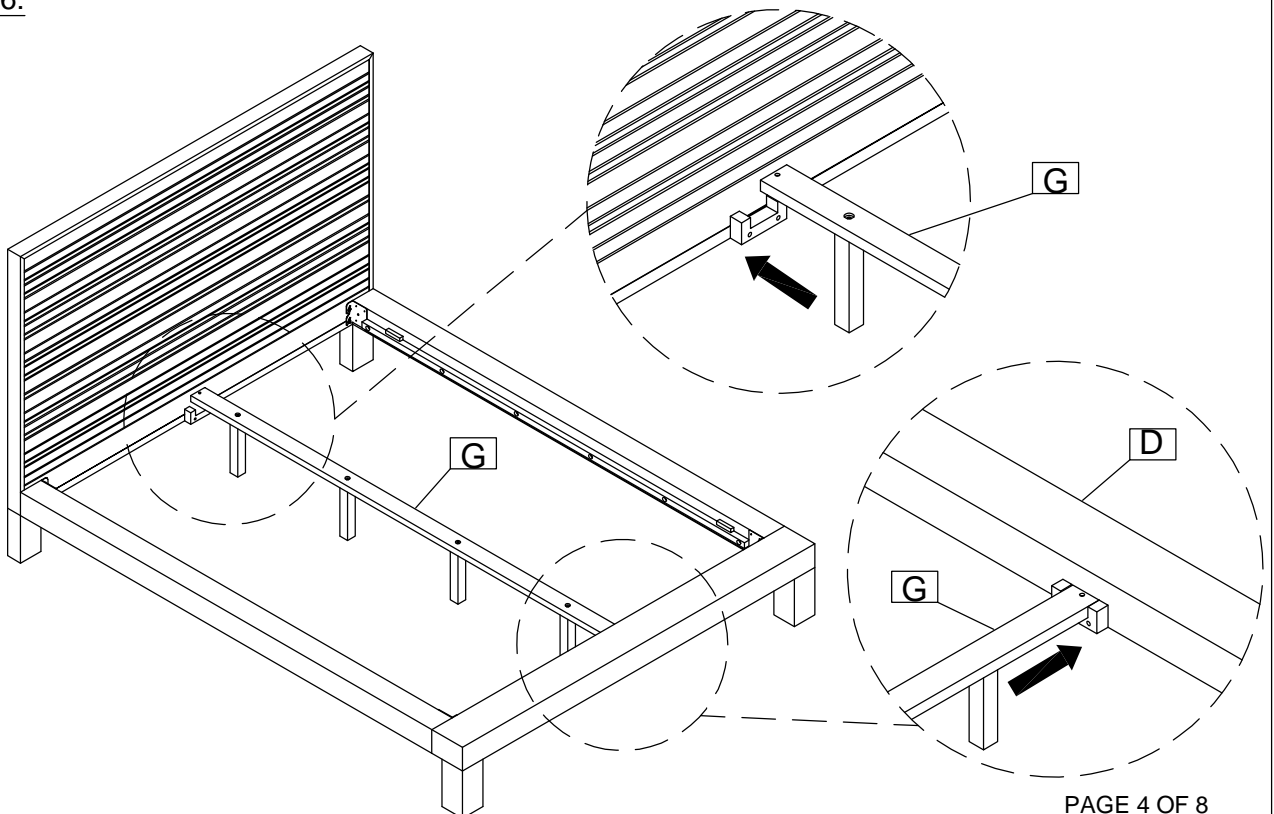
STOP

- * IF USING BED FRAME WITH ADJUSTABLE MATTRESS BASE, SKIP TO APPENDIX A: ADJUSTABLE MATTRESS BASE ASSEMBLY SUPPLEMENT.
- * IF USING BED FRAME WITH STANDARD BOX SPRING OR FOUNDATION CONTINUE TO STEP 5.

STEP #5:



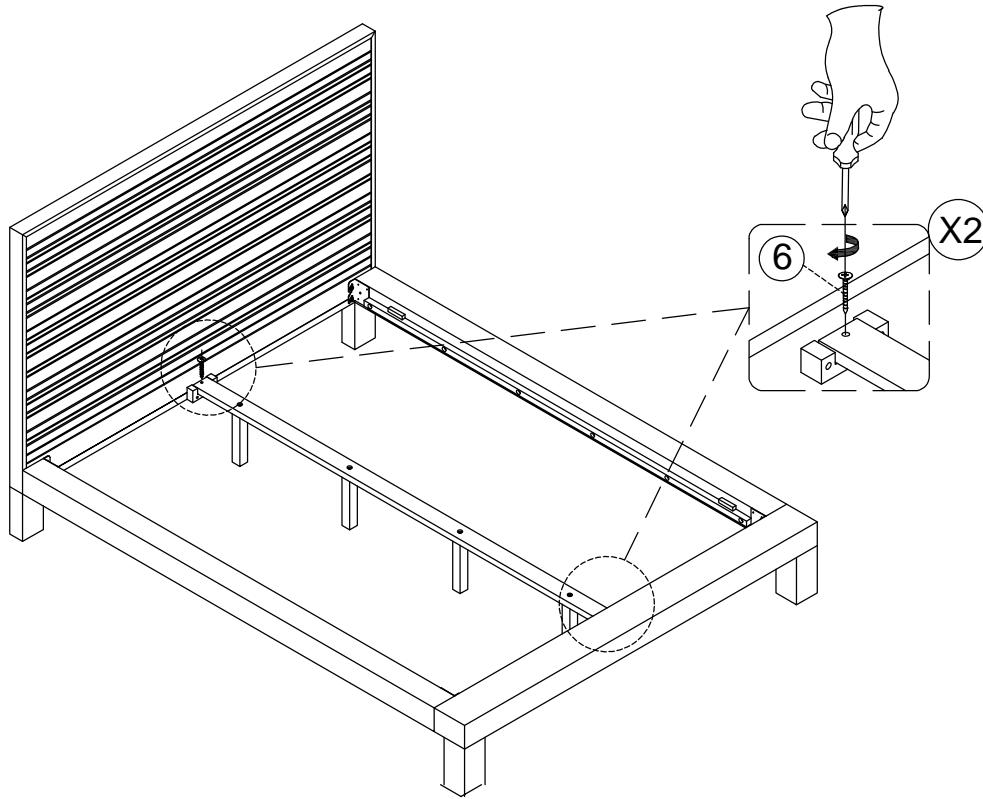
STEP #6:



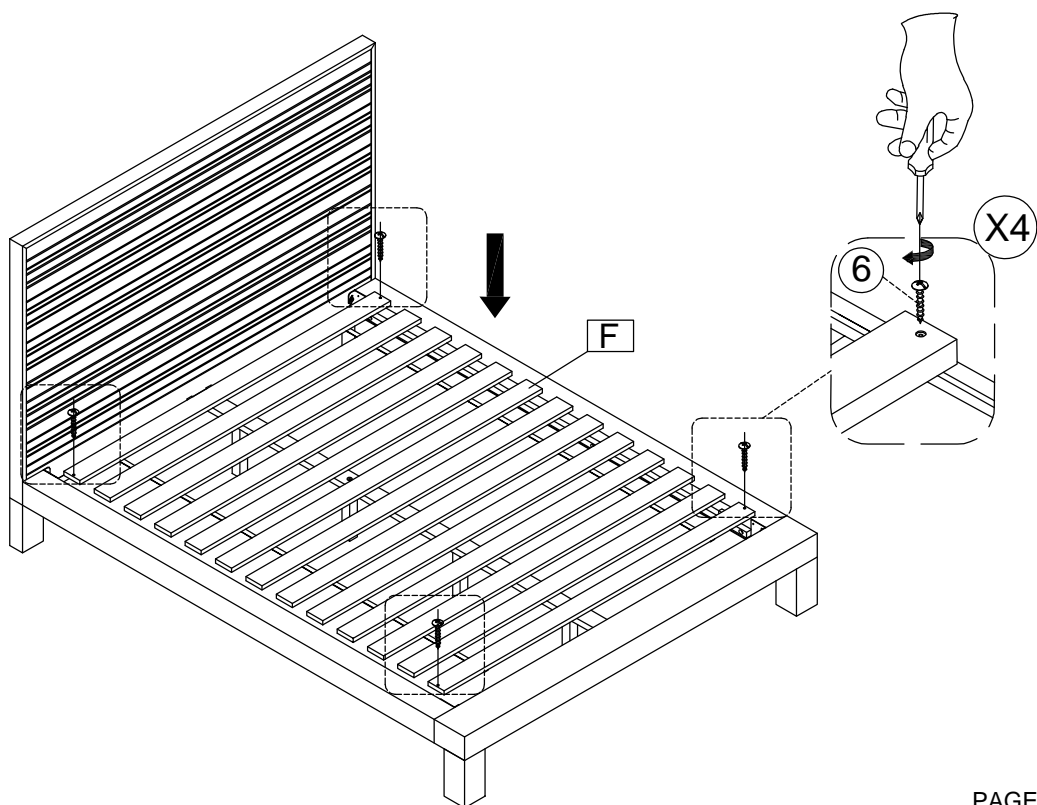
BATTEN PANEL CAL KING BED ASSEMBLY INSTRUCTIONS



STEP #7:



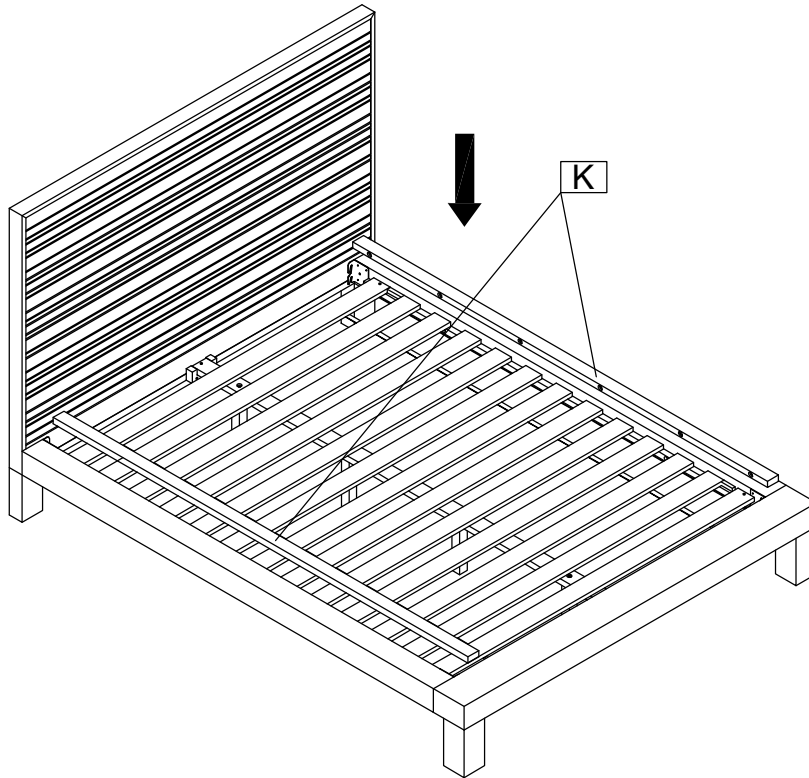
STEP #8:



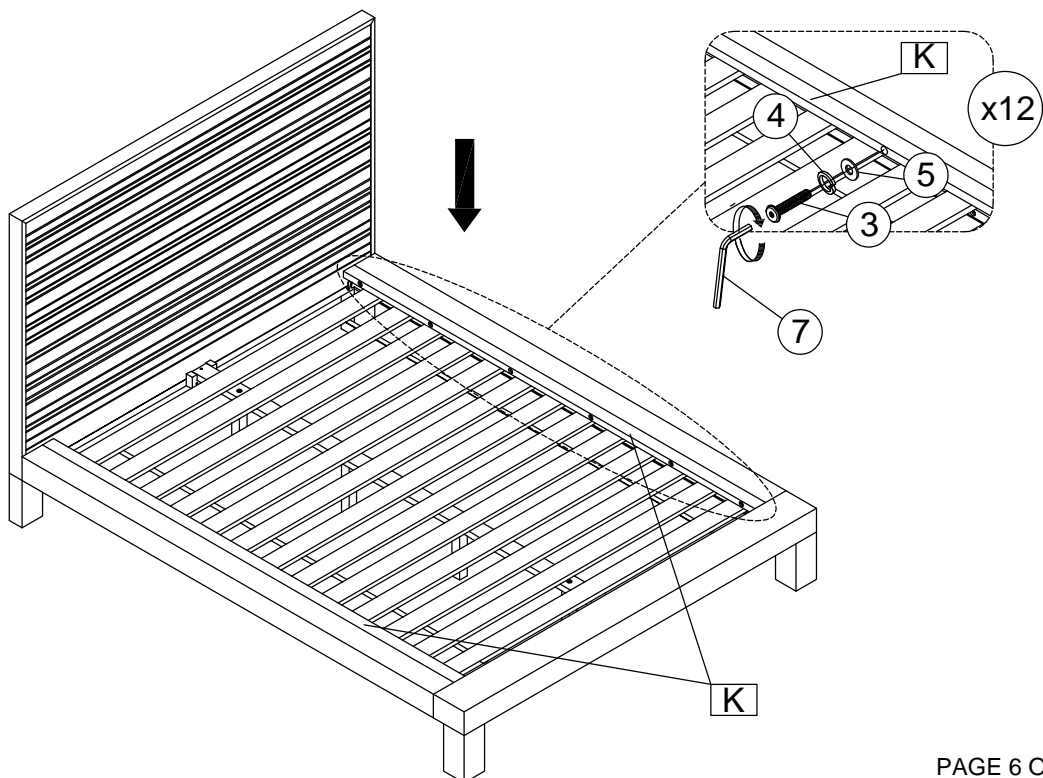
BATTEN PANEL CAL KING BED ASSEMBLY INSTRUCTIONS



STEP #9:



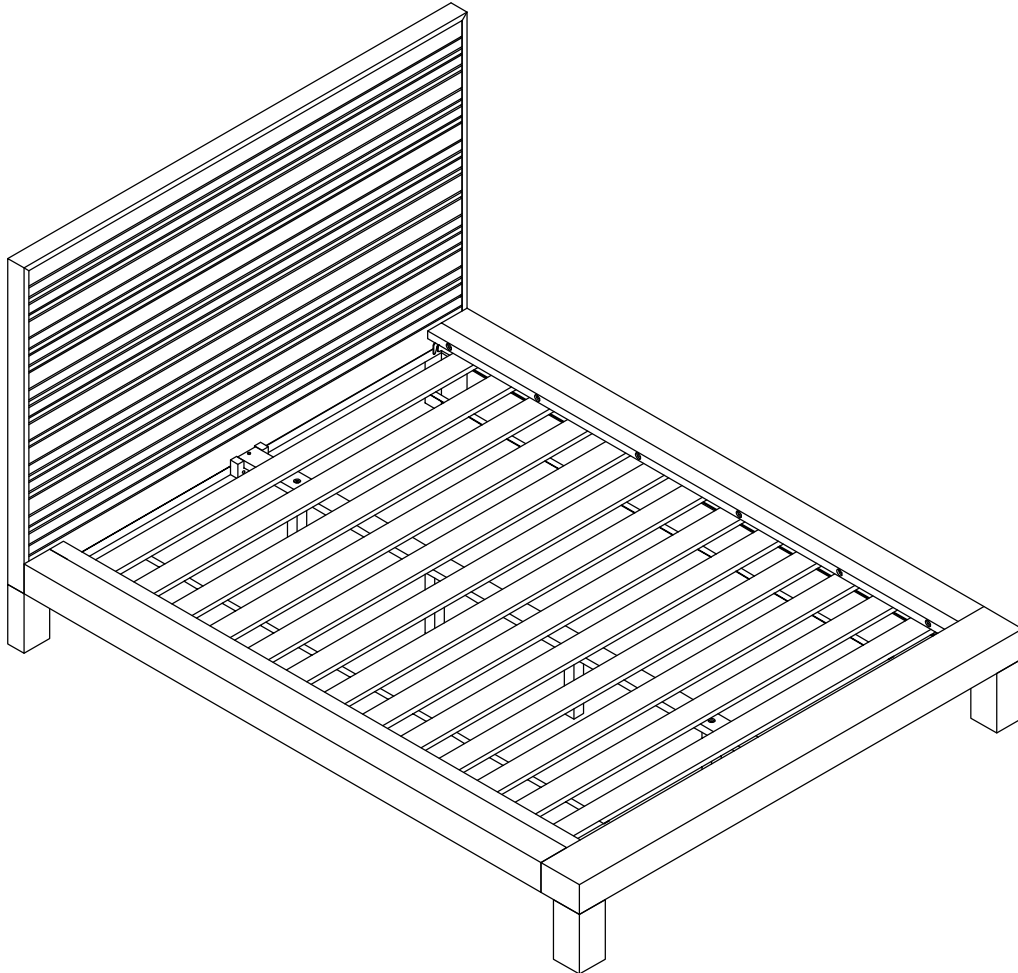
STEP #10:



BATTEN PANEL CAL KING BED ASSEMBLY INSTRUCTIONS

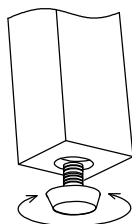


ASSEMBLY COMPLETE.



INSTRUCTIONS FOR ADJUSTING LEVELER:

- POSITION THE BED IN YOUR SPACE AND LOCATE THE LEVELER UNDER EACH SUPPORT LEG.
- TURN THE LEVELER COUNTER- CLOCKWISE TO EXTEND THE LEVELER AND CLOCKWISE TO RETRACT IT.
- ADJUST EACH LEVELER UNTIL EACH SUPPORT LEG IS APPLYING EQUAL, UPWARD PRESSURE ON THE BED SUPPORT SLAT.



MAINTENANCE INSTRUCTIONS:

- REMOVE BOX SPRING AND MATTRESS BEFORE MOVING YOUR BED.
- LIFT YOUR BED WHEN MOVING IT. DRAGGING CAN DAMAGE THE LEG SUPPORT.
- READJUST LEVELERS AFTER MOVING YOUR BED.

BATTEN PANEL CAL KING BED ASSEMBLY INSTRUCTIONS

APPENDIX A: ADJUSTABLE MATTRESS BASE ASSEMBLY SUPPLEMENT



AN ADJUSTABLE MATTRESS BASE IS A FREESTANDING MATTRESS SUPPORT THAT SITS WITHIN THE PERIMETER OF THE BED FRAME.

IF USING THIS BED FRAME WITH A STANDARD BOX SPRING OR FOUNDATION THESE INSTRUCTIONS DO NOT APPLY.

PRE-ASSEMBLED SIDE RAIL CLEATS OBSTRUCT ADJUSTABLE BASE INSTALLATION AND OPERATION.

FOLLOW THESE INSTRUCTIONS TO REMOVE THEM.

THE FOLLOWING PARTS ARE NOT REQUIRED FOR ADJUSTABLE MATTRESS BASE INSTALLATION:

F. SLAT ROLL 1SET

G. CENTER SLAT SUPPORT 1PC

K. MATTRESS SPACER 2PCS

H. SUPPORT LEG 4PCS

3. ALLEN BOLT (1/4"x50mm) 12PCS

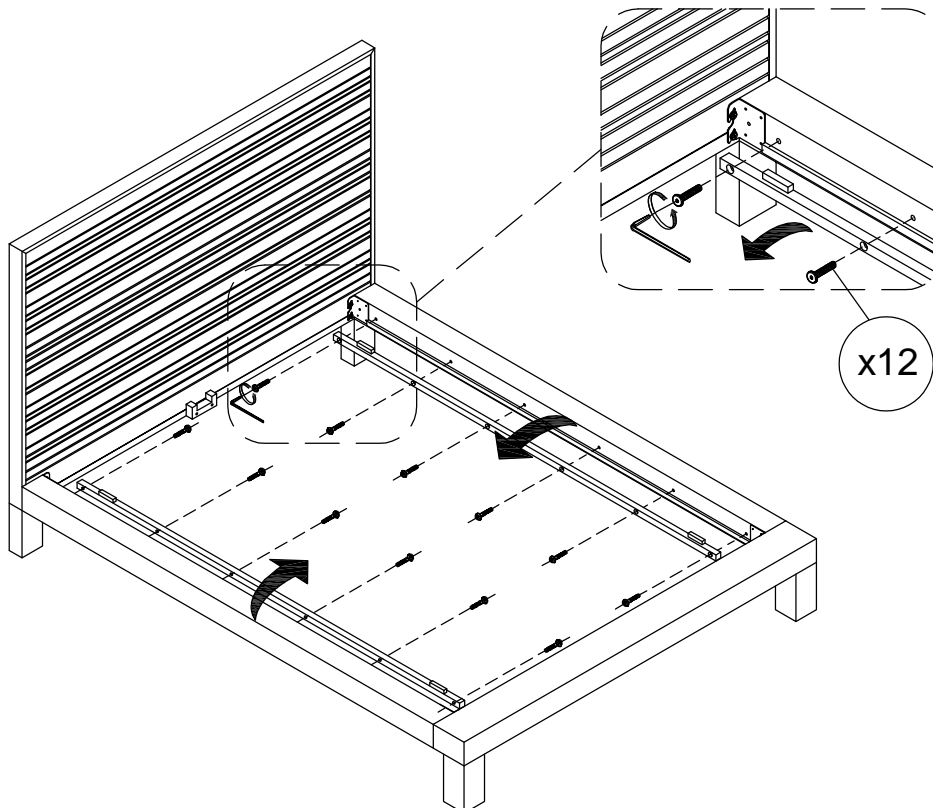
4. LOCK WASHER (5/16"x2mm) 12PCS

5. FLAT WASHER (8x19mm) 12PCS

6. WOOD SCREW (4x30MM) 6PCS

STEP 1:

USE ALLEN KEY (7) IN BOX #2 TO UNSCREW ALLEN BOLTS AND REMOVE PRE-ASSEMBLED SIDE RAIL CLEATS.



NOTE: YOU MAY WISH TO RETAIN UNUSED PARTS IF IN THE FUTURE YOU INTEND TO USE THE BED FRAME WITH A STANDARD BOX SPRING OR FOUNDATION