

# Assembly Guide



**Bush**  
FURNITURE

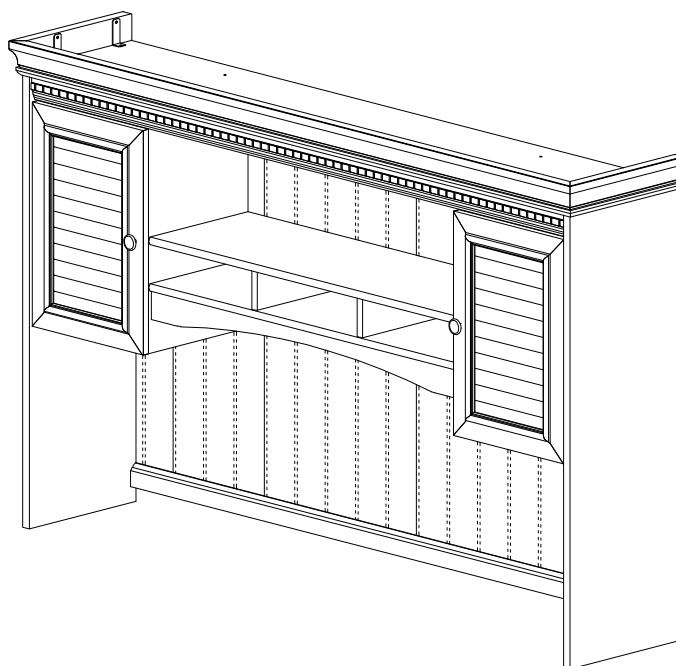


If you're having any difficulty during assembly of this product, don't hesitate to call us at **1-800-950-4782.**

Our customer service experts are trained to provide step-by-step instruction and can easily replace any missing or damaged parts.

**Representatives are available Monday-Friday from 8:30 a.m. to 7:30 p.m. (ET)**

## Hutch for L-Desk



Lot Code #

Part Number A174991E

Keep manual for future reference.

**For best results, keep these tips in mind:**

- ① We know you want to finish this assembly as quickly as possible, but trust us: you'll have a better experience if you take it one step at a time.
- ② Give yourself some room to work near where you want the fully assembled product.
- ③ If your floor isn't carpeted, assemble this product on the empty carton to avoid scratching.
- ④ Do you have a friend who owes you a favor? Some steps may go a little easier with a second set of hands.

**DOs**

- ✔ Use a #2 Phillips head screwdriver (or other handheld tools as indicated)
- ✔ Wear safety glasses at all times during assembly
- ✔ Carefully follow the instructions in this guide and complete all steps in order
- ✔ Give us a call if you're having trouble with a particularly tricky step

**DON'Ts**

- ✘ We know power tools are quick and easy, but you shouldn't use them when assembling this product (unless otherwise specified)
- ✘ Never move your furniture with items inside or resting on the surface
- ✘ Do not attempt to use this product before all steps have been completed

**Watch assembly videos right on your phone or computer!**

Some steps include QR codes that link to helpful videos. Watch out for the icon on the left! Simply open up your smartphone camera to scan the code.

*(Users of older smartphones may need to install a QR Reader.)*

**SCAN HERE****FOR VIDEOS**

Or visit <https://www.bushfurniture.com/CustomerService/HowtoAssemble.aspx>

# IMPORTANT SAFETY INFORMATION



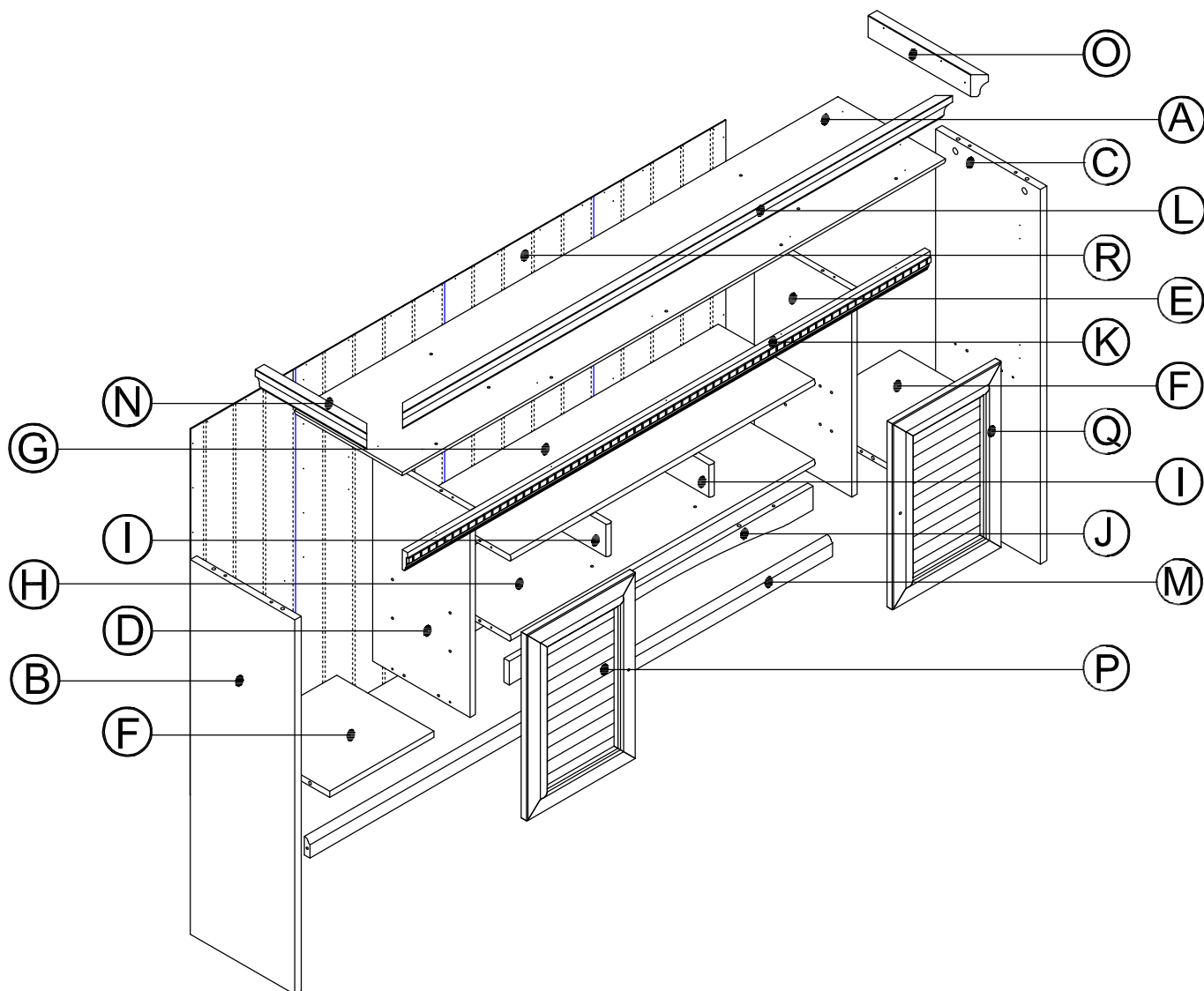
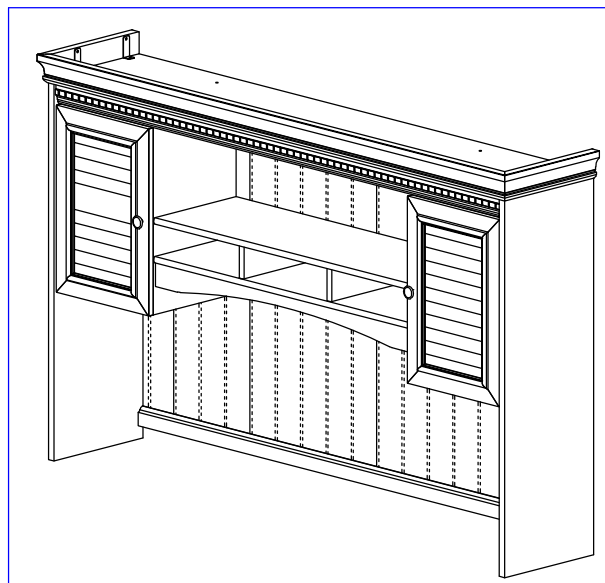
## PLEASE READ WARNINGS

Improper use can cause safety hazards, or damage to your furniture and household items.

Warning	Do	Don't	Why it's important
<b>Serious injury may occur.</b>	<ul style="list-style-type: none"><li>Assemble following all instructions using all indicated parts and hardware provided.</li><li>Attach hutch as described in the instructions.</li><li>Verify furniture is stable on it's own.</li></ul>	<ul style="list-style-type: none"><li>Do not move unit when loaded.</li><li>Do not load with a television or other heavy equipment.</li><li>Do not exceed the maximum load limits stated in the instructions.</li><li>Do not allow children to climb, or hang on furniture.</li></ul>	Improper assembly, use or loading can lead to product instability, tip-over or collapse.

Advertencia	Hacer	No	Por qué es importante
<b>Se pueden producir lesiones graves.</b>	<ul style="list-style-type: none"><li>Ensamble siguiendo todas las instrucciones utilizando todas las piezas y ferretería indicados provistos.</li><li>Coloque la conejera como se describe en las instrucciones.</li><li>Verifique que los muebles sean estables por sí mismos.</li></ul>	<ul style="list-style-type: none"><li>No mueva la unidad cuando esté cargada.</li><li>No cargue con un televisor u otro equipo pesado.</li><li>No exceda los límites máximos de carga establecidos en las instrucciones.</li><li>No permita que los niños se paren, trepen o cuelguen de muebles.</li></ul>	El ensamblaje, uso o carga inadecuados pueden provocar inestabilidad del producto, vuelco o colapso.

Avertissement	Faire	Ne le fais pas	Pourquoi c'est important
<b>Des blessures graves peuvent survenir.</b>	<ul style="list-style-type: none"><li>Assemblez en suivant toutes les instructions en utilisant toutes les pièces et le matériel indiqués fournis.</li><li>Fixez la huche comme décrit dans les instructions.</li><li>Vérifiez que les meubles sont stables par eux-mêmes.</li></ul>	<ul style="list-style-type: none"><li>Ne déplacez pas l'unité lorsqu'elle est chargée.</li><li>Ne chargez pas avec un téléviseur ou un autre équipement lourd.</li><li>Ne dépassez pas les limites de charge maximale indiquées dans les instructions.</li><li>Ne laissez pas les enfants grimper ou s'accrocher aux meubles.</li></ul>	Un assemblage, une utilisation ou un chargement incorrects peuvent entraîner une instabilité du produit, un renversement ou un effondrement.



Have an assembly question or need a replacement part? Just call  
**1-800-950-4782**, we are here to help.

Fasteners are shown actual size.

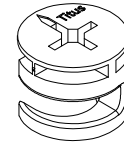
H38169



Wood Dowel  
8 x 30mm

[ 36 ]

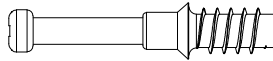
H181468



KD Cam

[ 14 ]

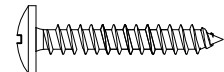
H180604



KD Bolt

[ 14 ]

H158974



#8 x 1"

[ 8 ]

H160125



#10 x 1-1/2"

[ 5 ]

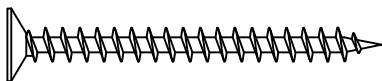
H34174



#3 x 3/4"

[ 61 ]

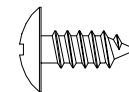
H156849



#10 x 2"

[ 12 ]

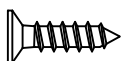
H35251



#10 x 1/2"

[ 27 ]

H160159



#8 x 9/16"

[ 16 ]

H158943

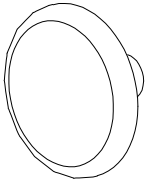
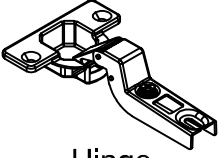
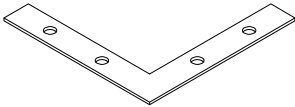
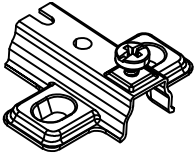
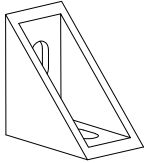
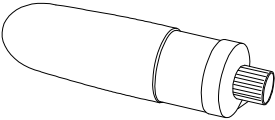
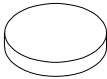
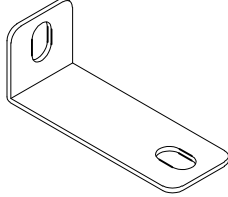
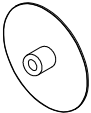


M4 x 25mm

[ 2 ]

Have an assembly question or need a replacement part? Just call  
**1-800-950-4782**, we are here to help.

Hardware not to scale.

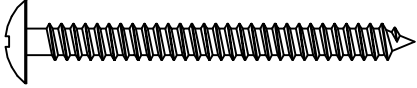
- |         |   |        |         |   |       |
|---------|---|--------|---------|---|-------|
| H148805 |    | [ 2 ]  | H166301 |    | [ 4 ] |
|         | Pull  |        |         | Hinge   |       |
| H85966  |    | [ 2 ]  | H166303 |    | [ 4 ] |
|         | L-shaped plate  |        |         | Mounting Plate  |       |
| H156903 |   | [ 2 ]  | H27145  |   | [ 2 ] |
|         | Plastic Connector   |        |         | Glue  |       |
| H158082 |  | [ 4 ]  | H174990 |  | [ 9 ] |
|         | Bumper  |        |         | L bracket   |       |
|         |  | [ 12 ] |         |   |       |
|         | Cover Cap   |        |         |   |       |

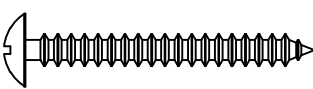
Have an assembly question or need a replacement part? Just call  
**1-800-950-4782**, we are here to help.

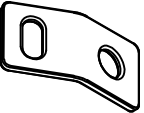
Hardware not to scale.

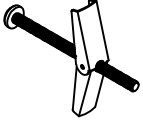
## TIP OVER RESTRAINT HARDWARE

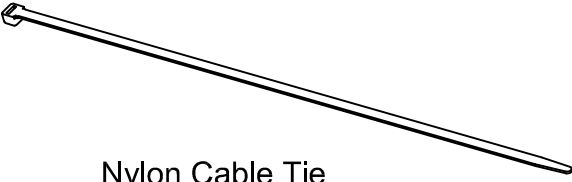
### Q203419

H181434  [ 1 ]  
#10x2"

H107572  [ 1 ]  
#8x1-1/2"

H181412  [ 2 ]  
Connecting Plate

H181419  [ 1 ]  
Toggle Bolt

H181411  [ 1 ]  
Nylon Cable Tie

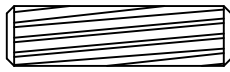
Have an assembly question or need a replacement part? Just call  
**1-800-950-4782**, we are here to help.

# STEP 1

# Prepare Panels

A174991E

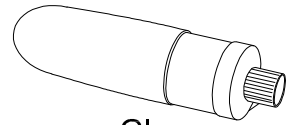
H38169



Wood Dowel  
8 x 30mm

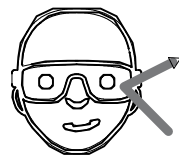
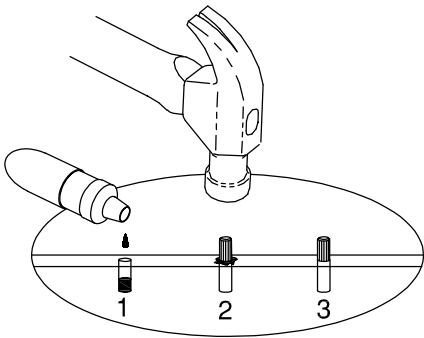
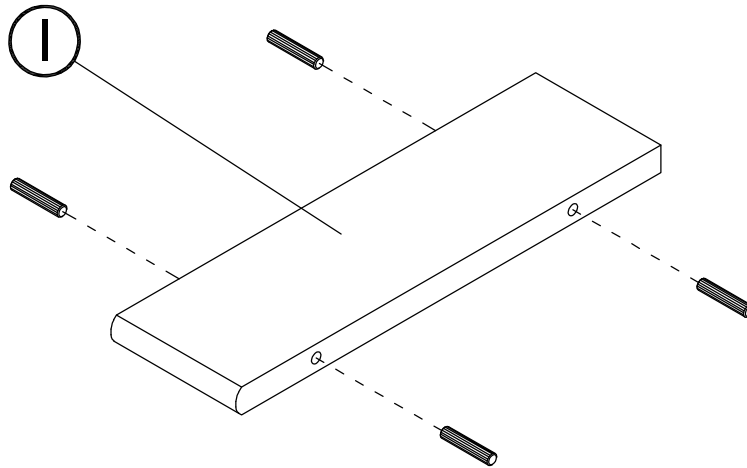
[ 10 ]

H27145

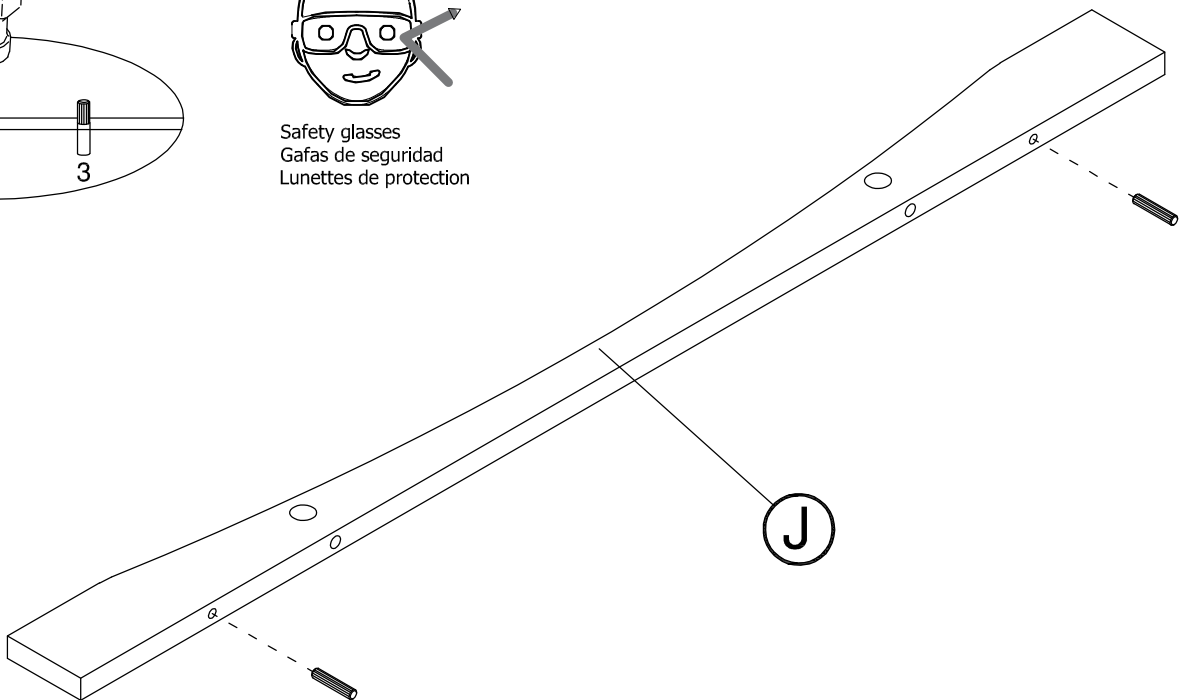


Glue

**2 X**



Safety glasses  
Gafas de seguridad  
Lunettes de protection



Have an assembly question or need a replacement part? Just call  
**1-800-950-4782**, we are here to help.

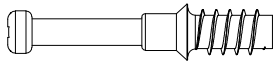


# STEP 2

# Prepare Panels

A174991E

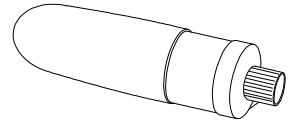
H180604



KD Bolt

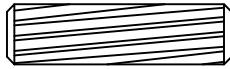
[ 2 ]

H27145



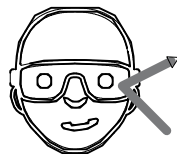
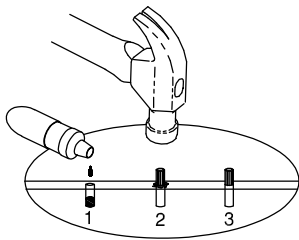
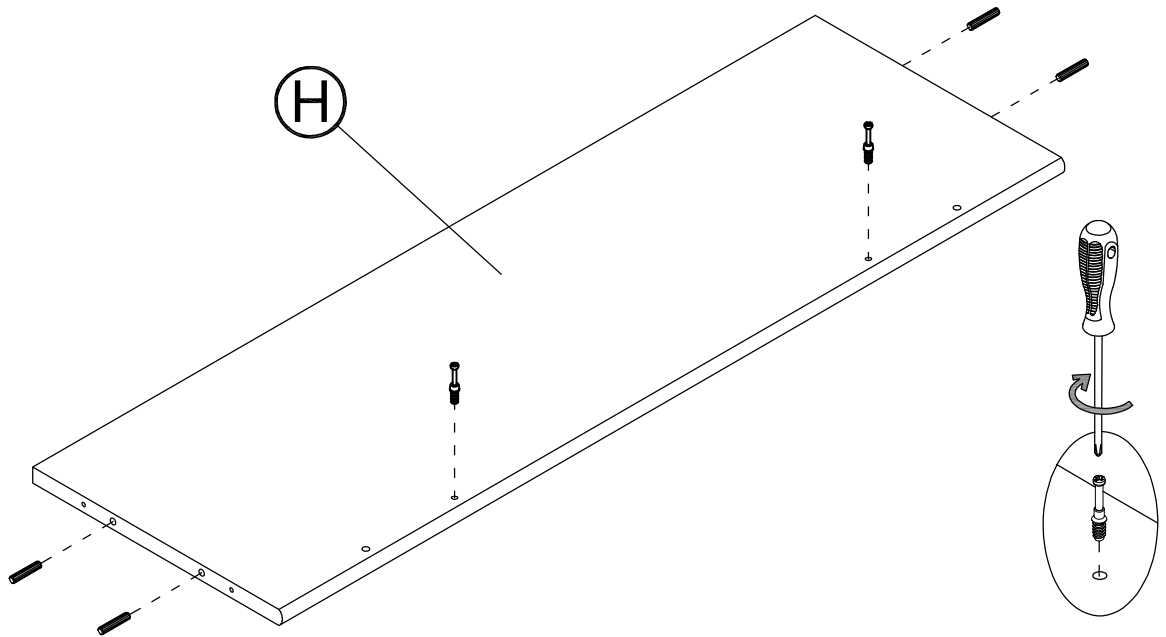
Glue

H38169

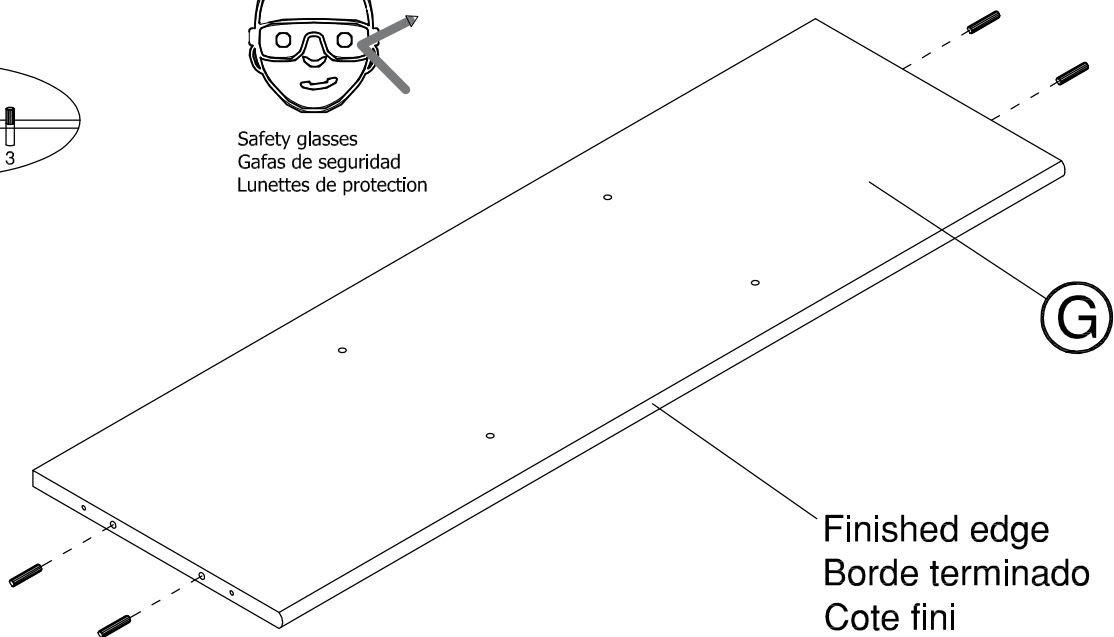


Wood Dowel  
8 x 30mm

[ 8 ]



Safety glasses  
Gafas de seguridad  
Lunettes de protection



Have an assembly question or need a replacement part? Just call  
**1-800-950-4782**, we are here to help.

# STEP 3

# Assemble Panels

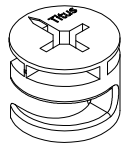
A174991E

Scan QR Code to Watch Video on:



How to Tighten KD Cams

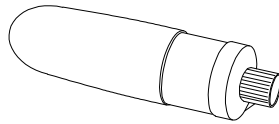
H181468



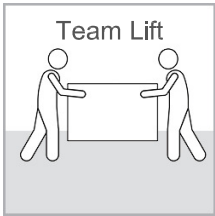
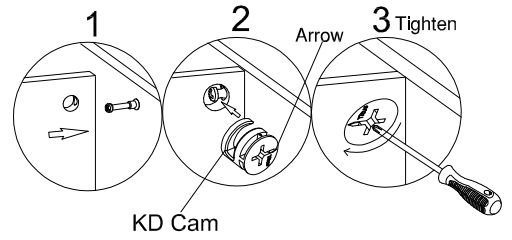
[ 2 ]

KD Cam

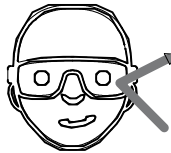
H27145



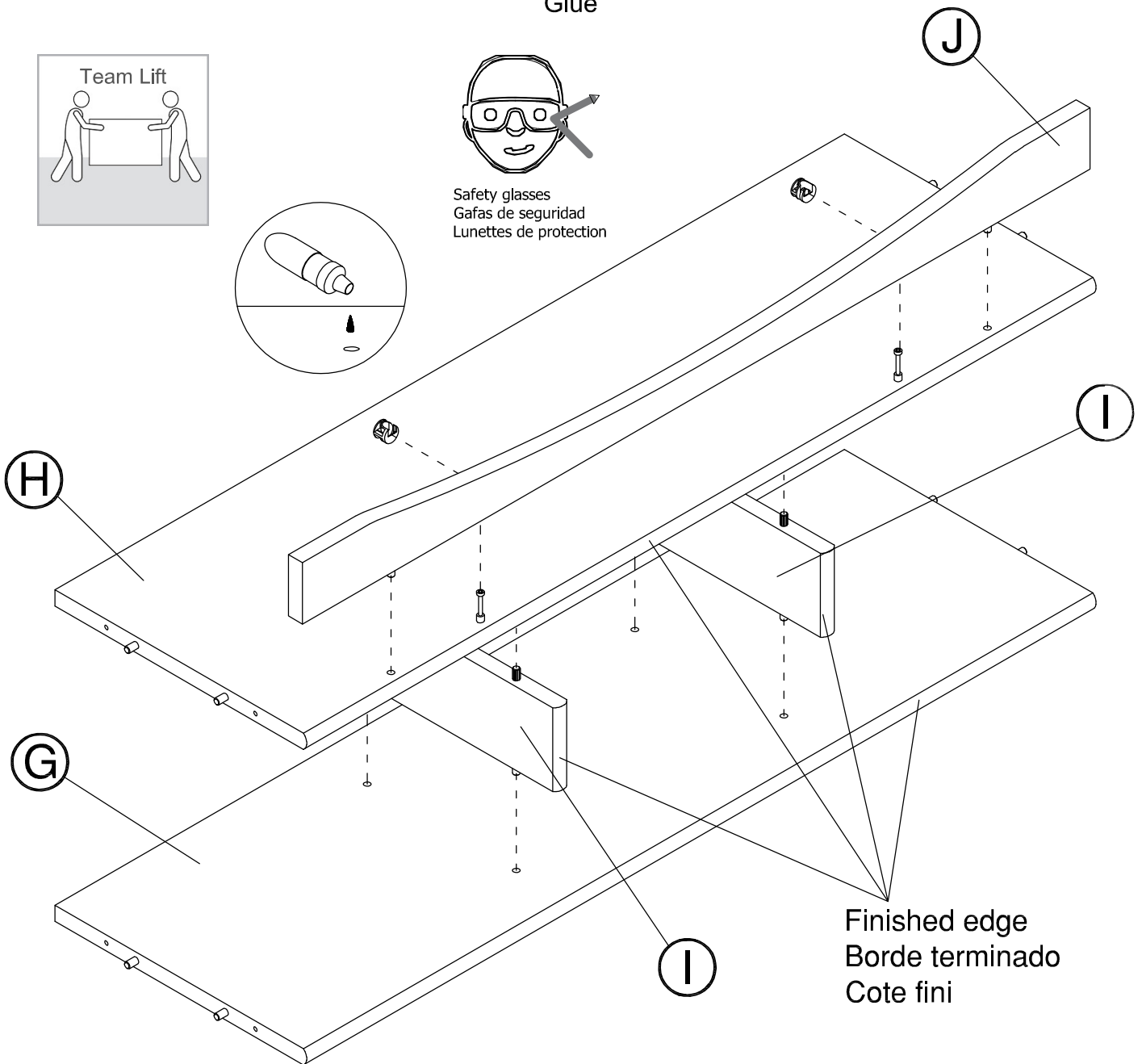
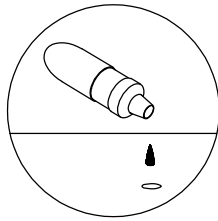
Glue



Team Lift



Safety glasses  
Gafas de seguridad  
Lunettes de protection



Finished edge  
Borde terminado  
Cote fini

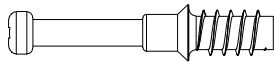
Have an assembly question or need a replacement part? Just call **1-800-950-4782**, we are here to help.

# STEP 4

# Prepare Panels

A174991E

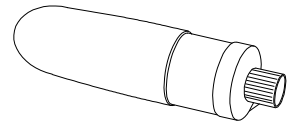
H180604



KD Bolt

[ 4 ]

H27145



Glue

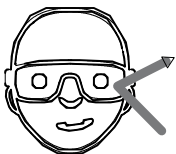
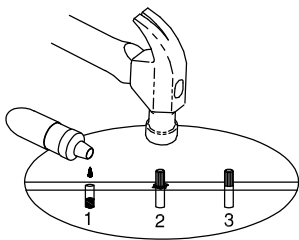
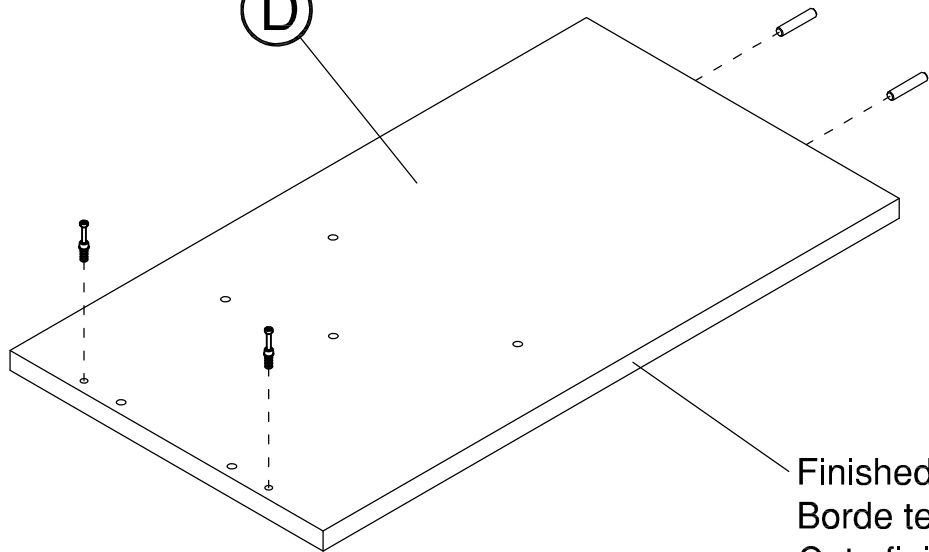
H38169



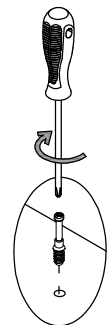
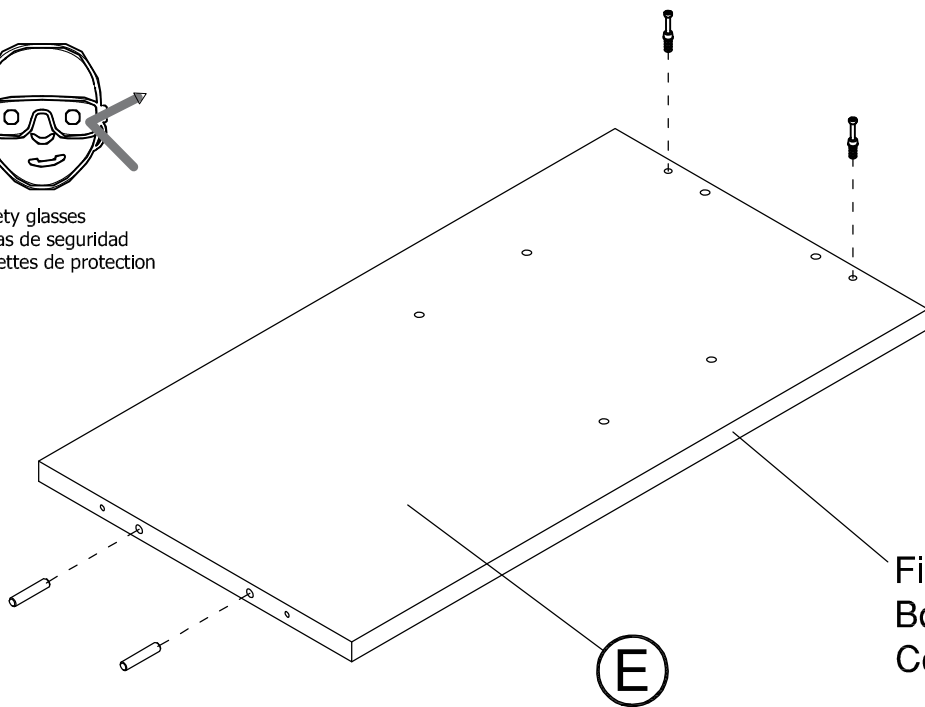
Wood Dowel  
8 x 30mm

[ 4 ]

(D)



Safety glasses  
Gafas de seguridad  
Lunettes de protection



Have an assembly question or need a replacement part? Just call  
**1-800-950-4782**, we are here to help.

# STEP 5

# Prepare Panels

A174991E

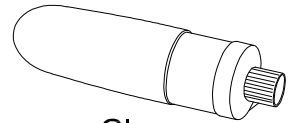
H38169



Wood Dowel  
8 x 30mm

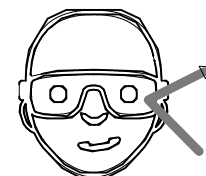
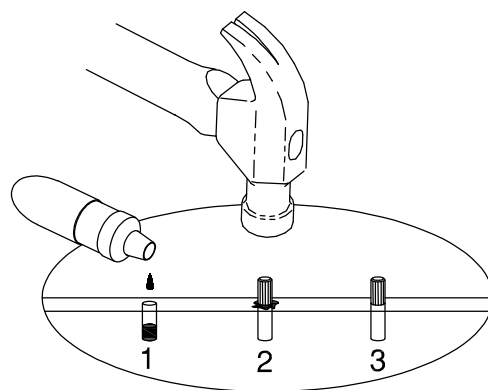
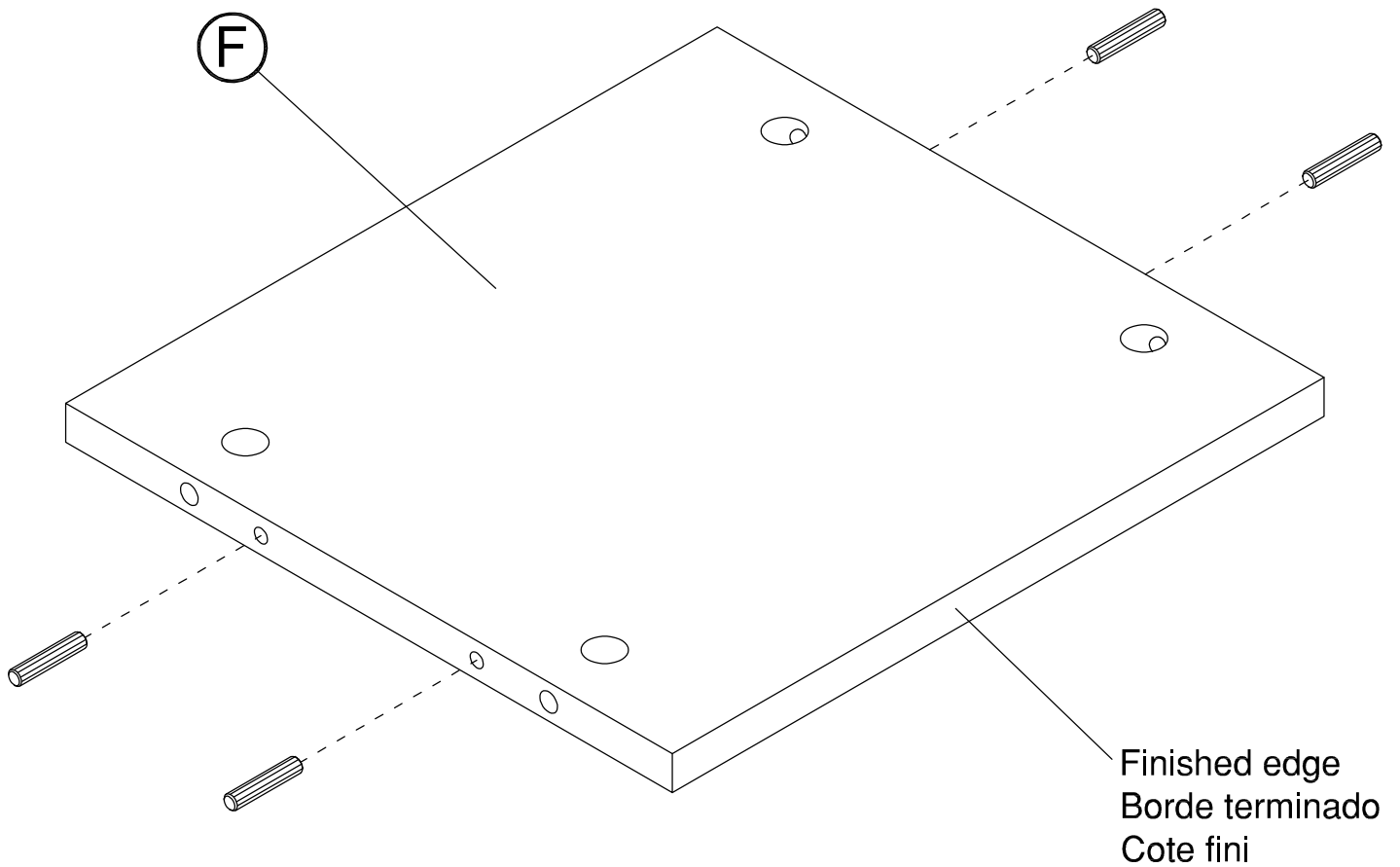
[ 8 ]

H27145



Glue

**2 X**



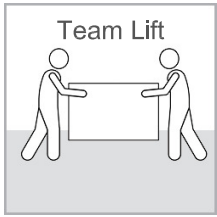
Safety glasses  
Gafas de seguridad  
Lunettes de protection

Have an assembly question or need a replacement part? Just call  
**1-800-950-4782**, we are here to help.

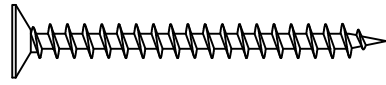
# STEP 6

# Assemble Panels

A174991E



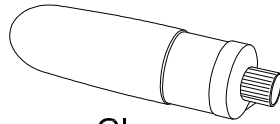
H156849



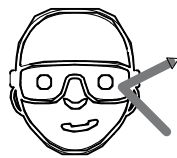
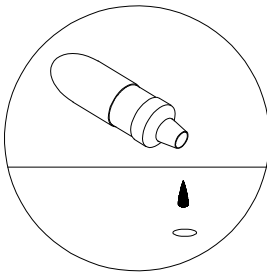
[ 8 ]

#10 x 2"

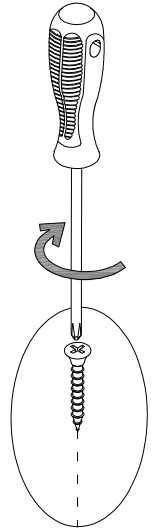
H27145



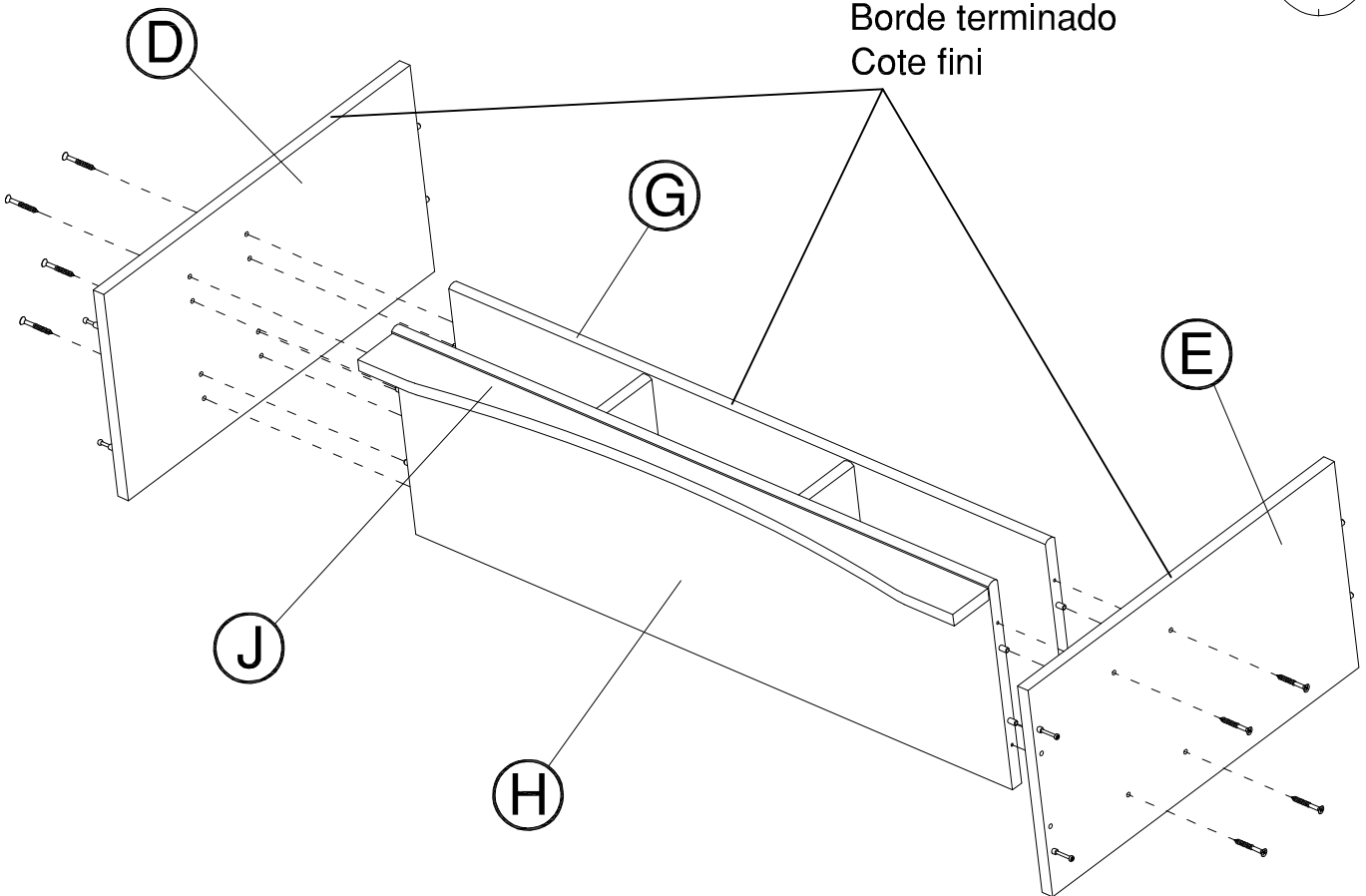
Glue



Safety glasses  
Gafas de seguridad  
Lunettes de protection



Finished edge  
Borde terminado  
Cote fini



Have an assembly question or need a replacement part? Just call  
**1-800-950-4782**, we are here to help.

# STEP 7

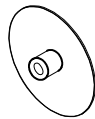
# Assemble Panels

A174991E

Scan QR Code to Watch Video on:

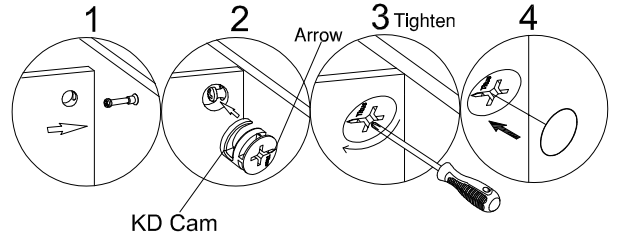


How to Tighten KD Cams



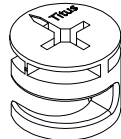
[ 4 ]

Cover Cap



KD Cam

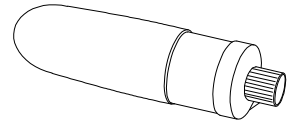
H181468



[ 4 ]

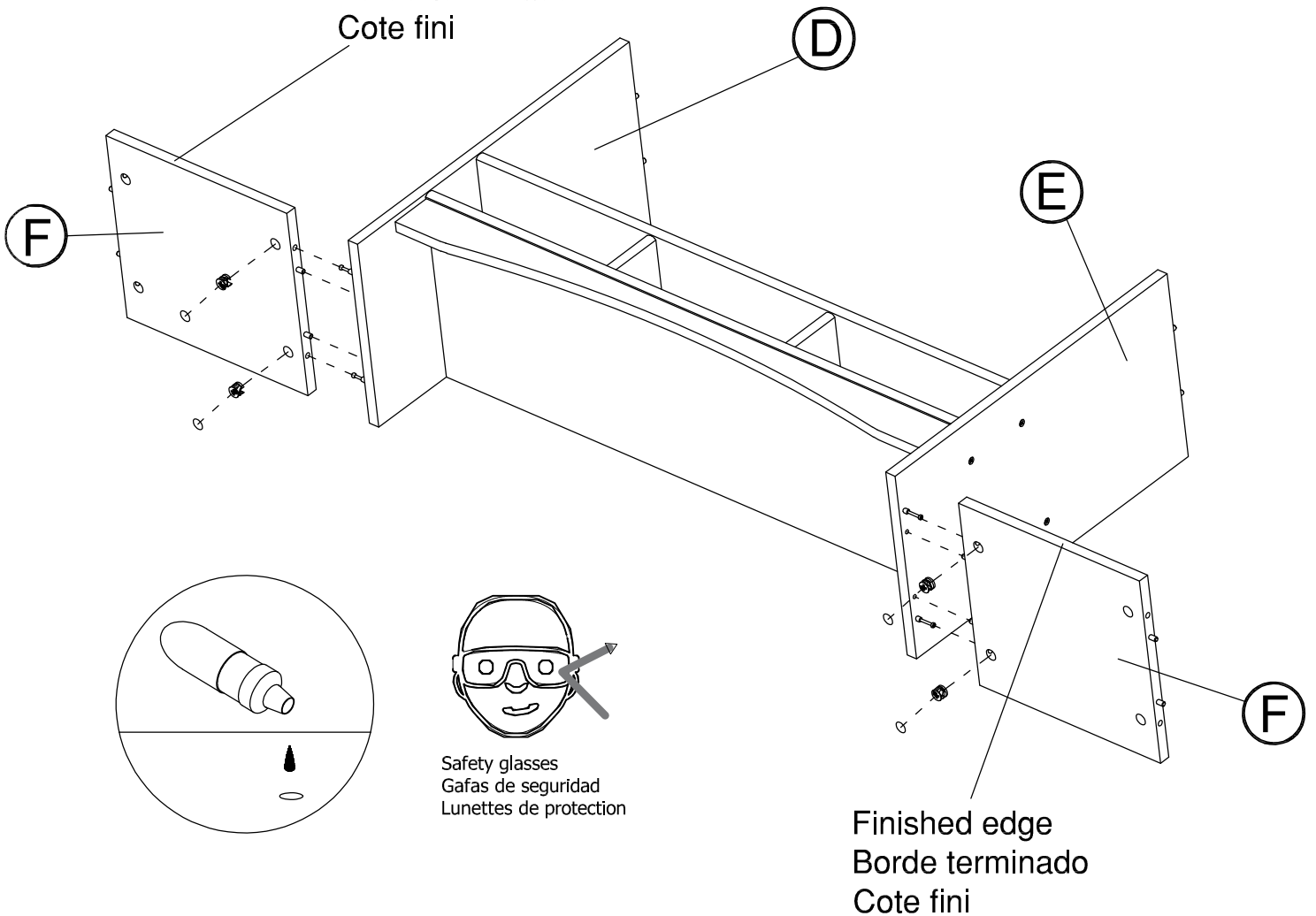
KD Cam

H27145



Glue

Finished edge  
Borde terminado  
Cote fini



Finished edge  
Borde terminado  
Cote fini

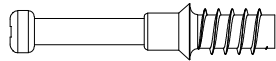
Have an assembly question or need a replacement part? Just call **1-800-950-4782**, we are here to help.

# STEP 8

# Prepare Panels

A174991E

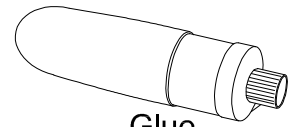
H180604



KD Bolt

[ 4 ]

H27145



Glue

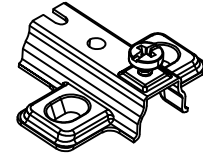
H38169



Wood Dowel  
8 x 30mm

[ 4 ]

H166303



[ 4 ]

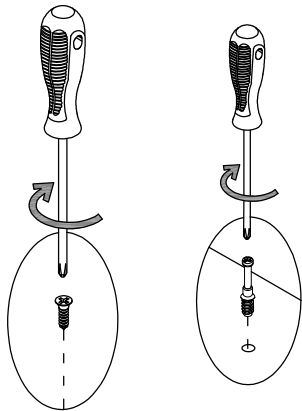
Mounting Plate

H160159

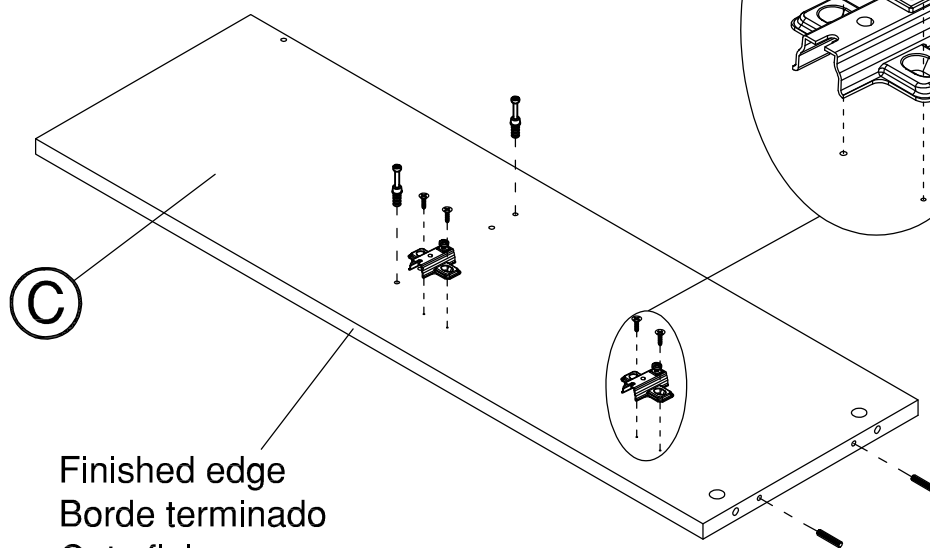
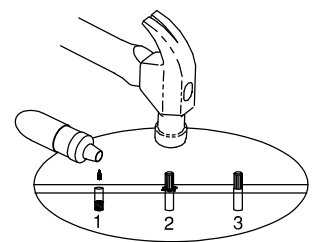
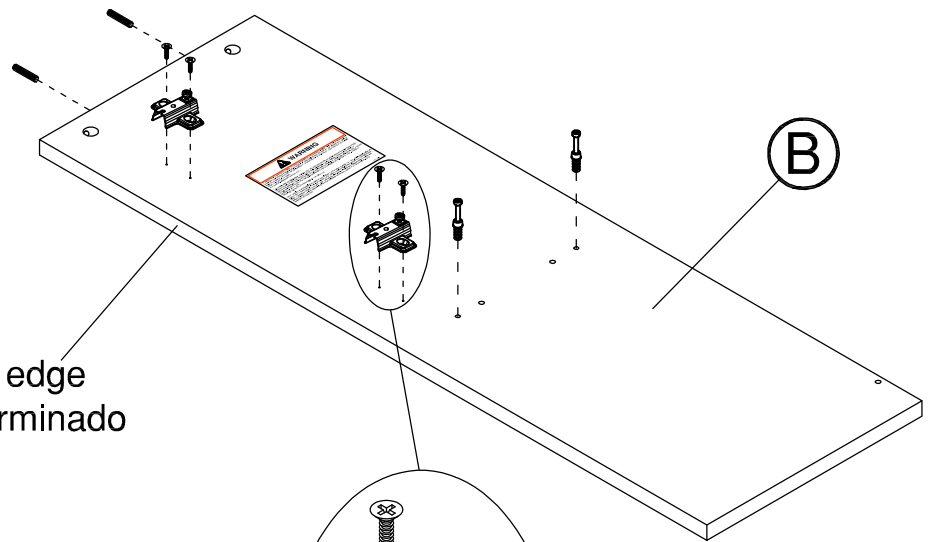


#8 x 9/16"

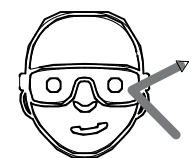
[ 8 ]



Finished edge  
Borde terminado  
Cote fini



Finished edge  
Borde terminado  
Cote fini



Safety glasses  
Gafas de seguridad  
Lunettes de protection

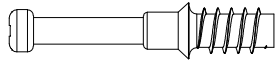
Have an assembly question or need a replacement part? Just call  
**1-800-950-4782**, we are here to help.

# STEP 9

# Prepare Panels

A174991E

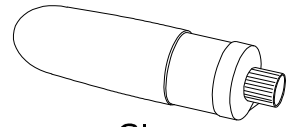
H180604



KD Bolt

[ 4 ]

H27145



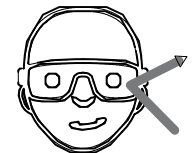
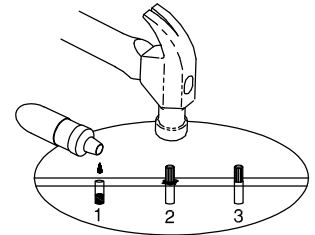
Glue

H38169

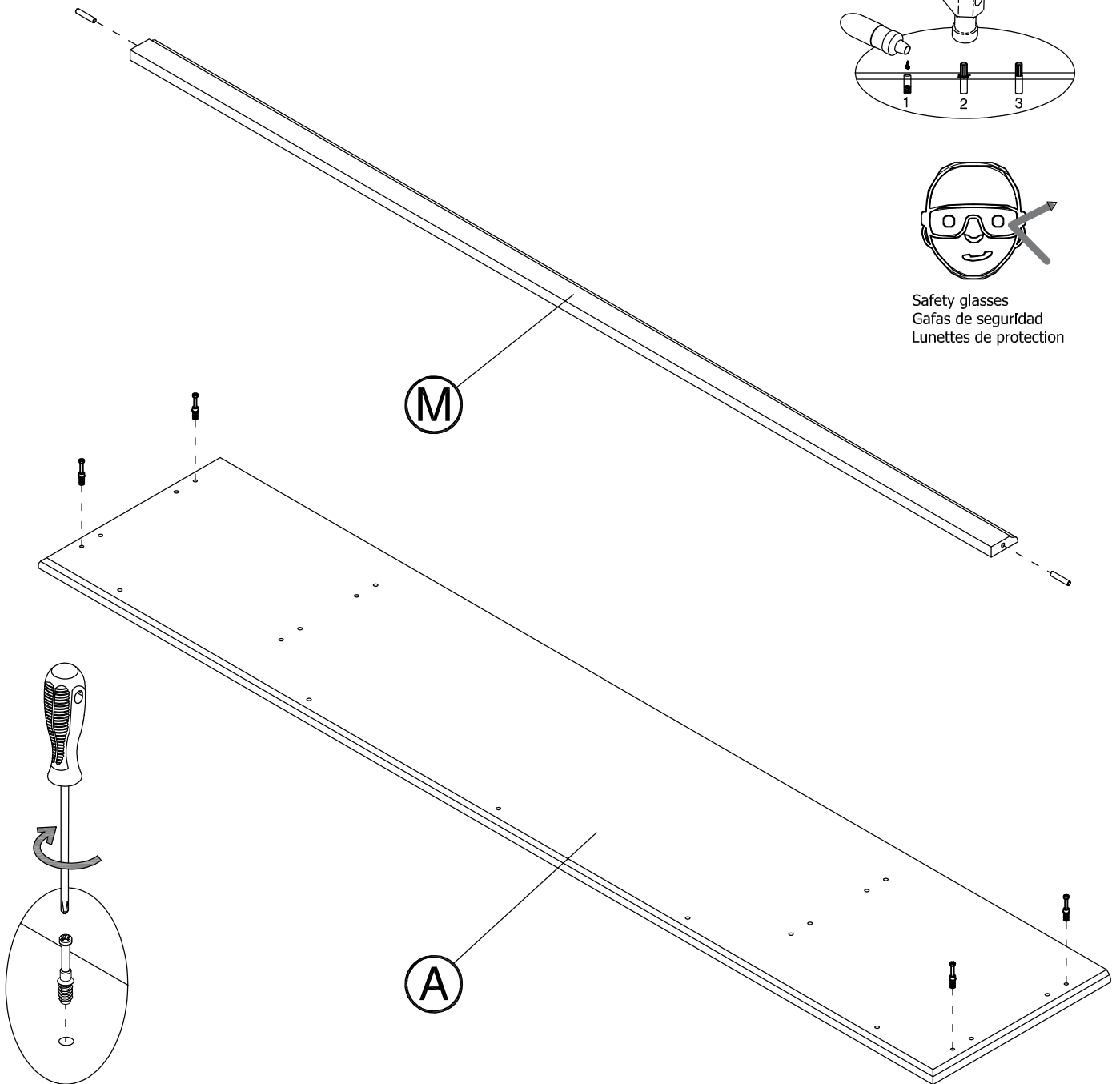


Wood Dowel  
8 x 30mm

[ 2 ]



Safety glasses  
Gafas de seguridad  
Lunettes de protection



Have an assembly question or need a replacement part? Just call  
**1-800-950-4782**, we are here to help.



# STEP 10

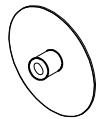
# Assemble Panel

A174991E

Scan QR Code to Watch Video on:

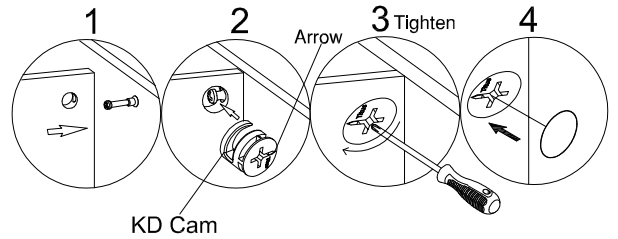


How to Tighten KD Cams



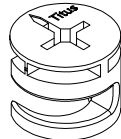
[ 4 ]

Cover Cap



KD Cam

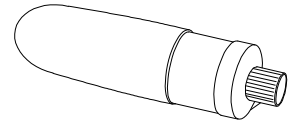
H181468



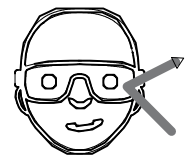
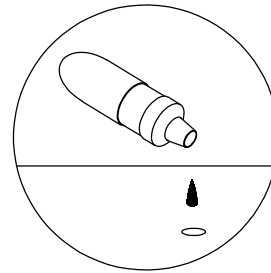
[ 4 ]

KD Cam

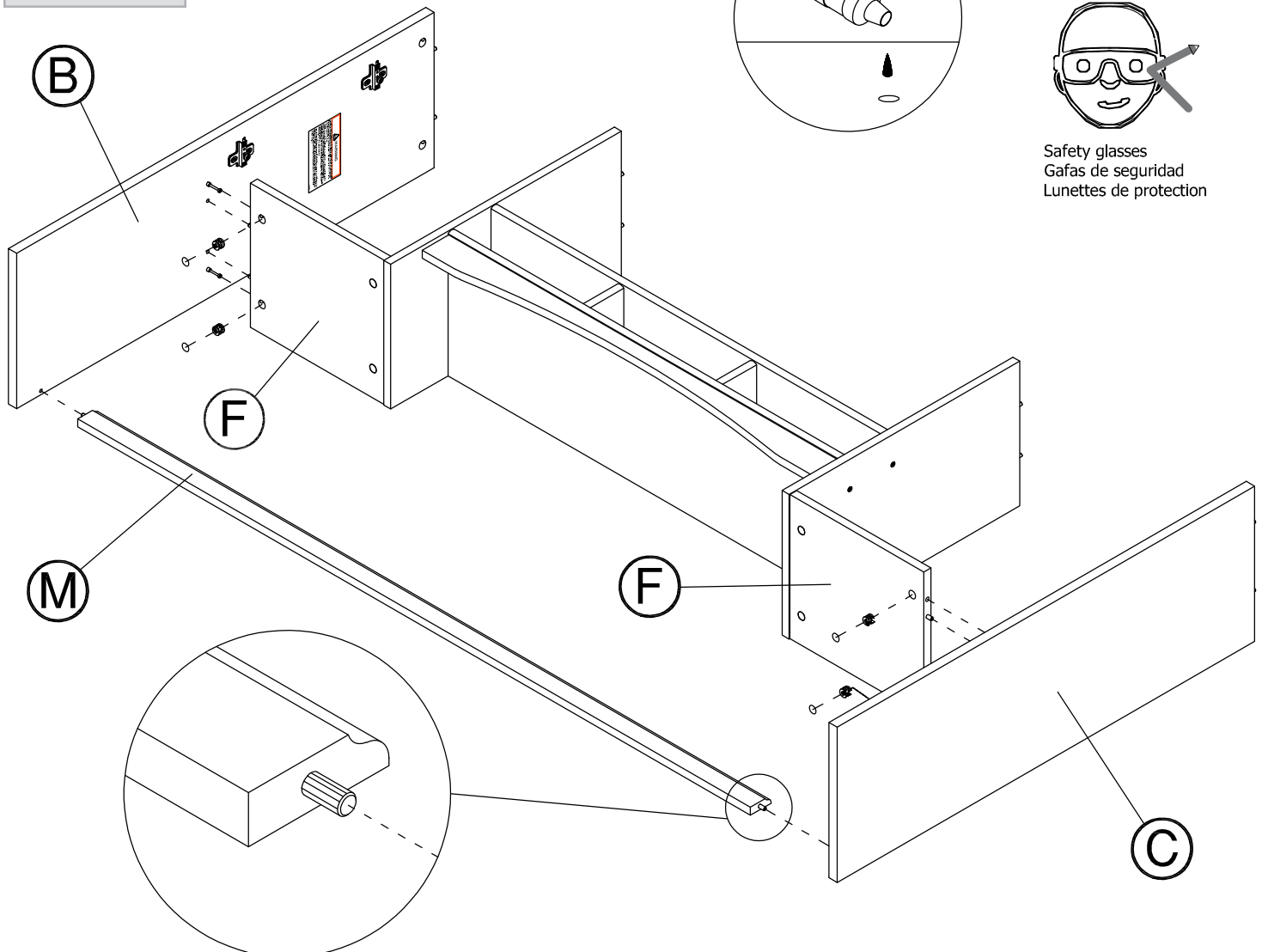
H27145



Glue



Safety glasses  
Gafas de seguridad  
Lunettes de protection



Have an assembly question or need a replacement part? Just call **1-800-950-4782**, we are here to help.

# STEP 11

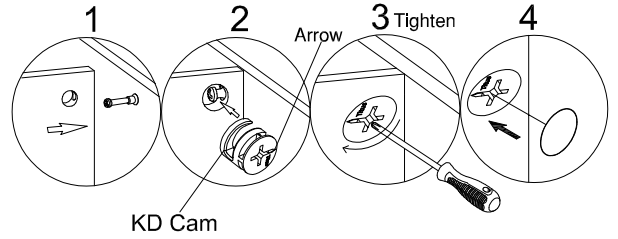
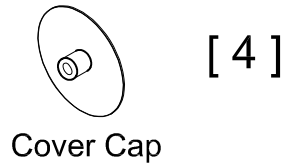
# Assemble Panels

A174991E

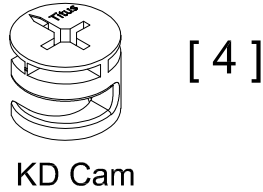
Scan QR Code to Watch Video on:



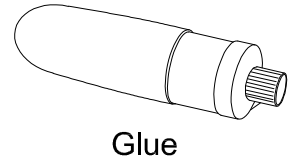
How to Tighten KD Cams



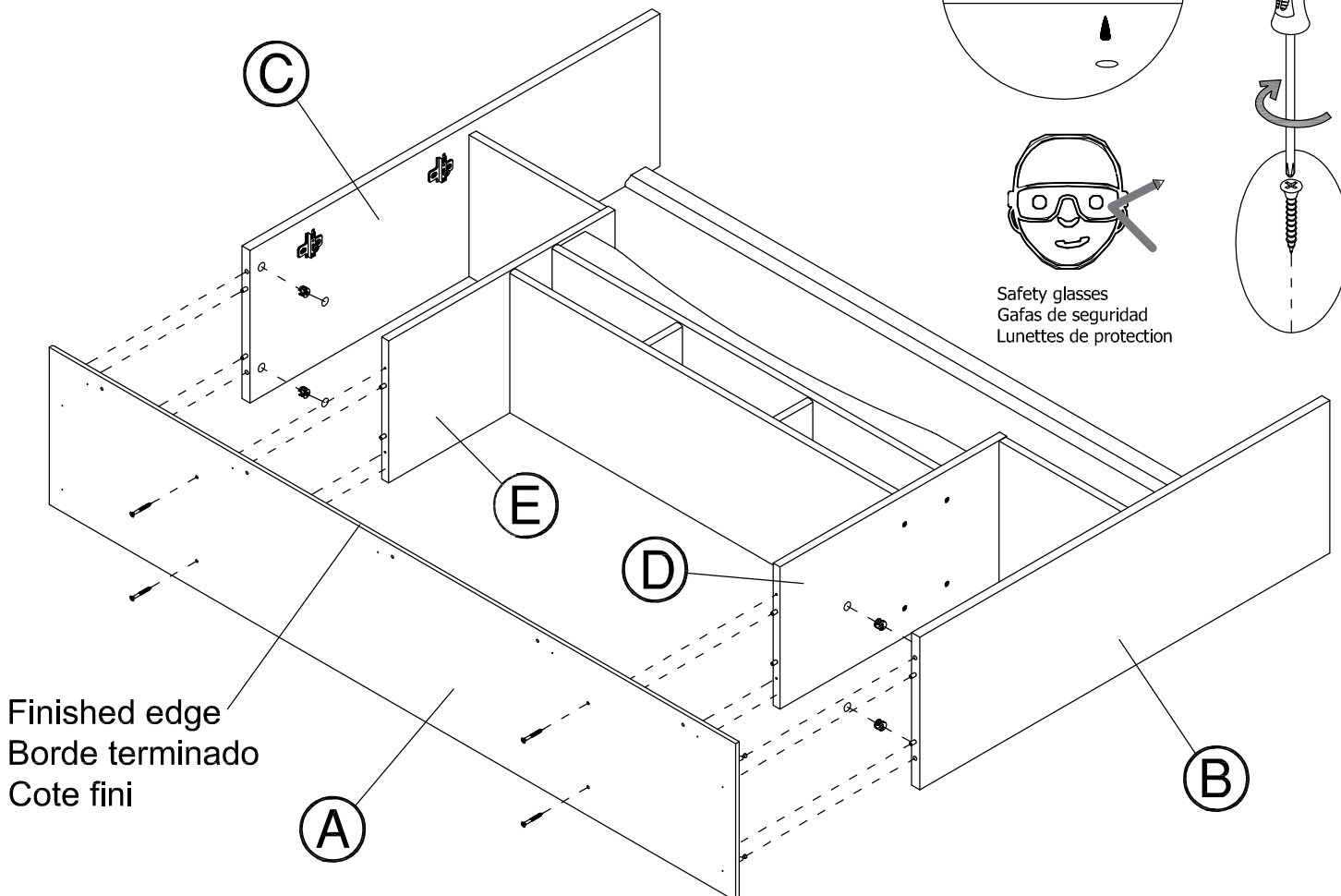
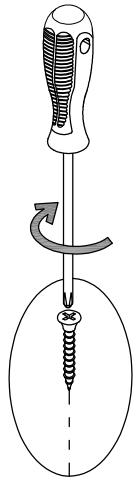
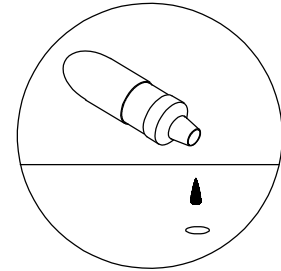
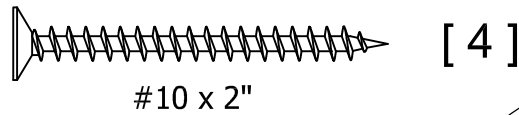
H181468



H27145

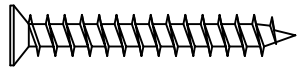


H156849



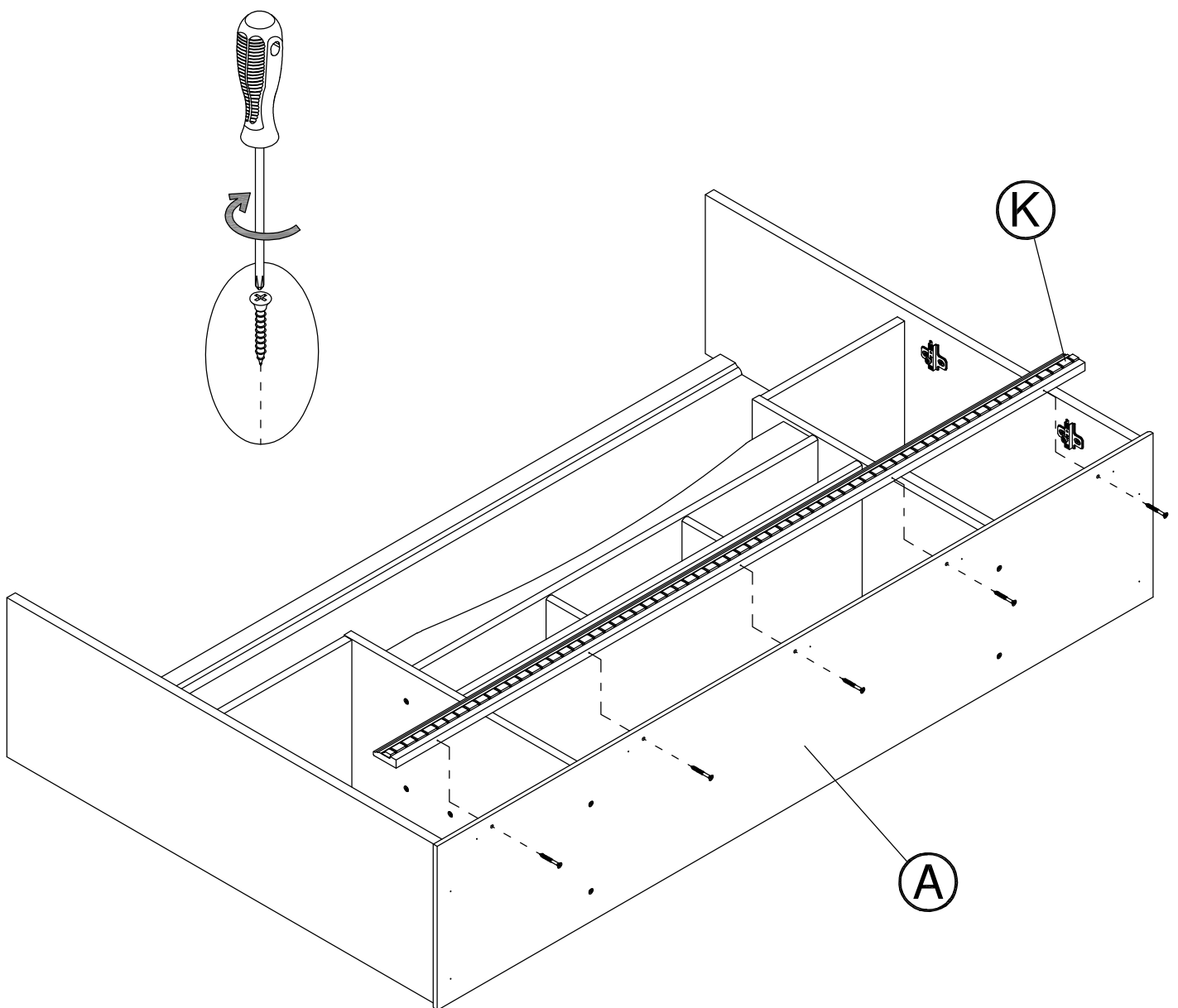
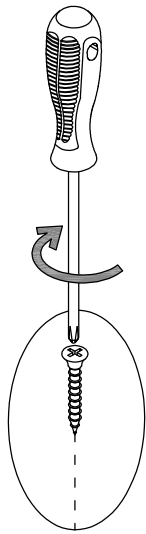
Have an assembly question or need a replacement part? Just call **1-800-950-4782**, we are here to help.

H160125



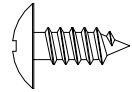
[ 5 ]

#10 x 1-1/2"



Have an assembly question or need a replacement part? Just call  
**1-800-950-4782**, we are here to help.

**H35251**



#10 x 1/2"

[ 5 ]

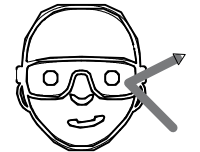
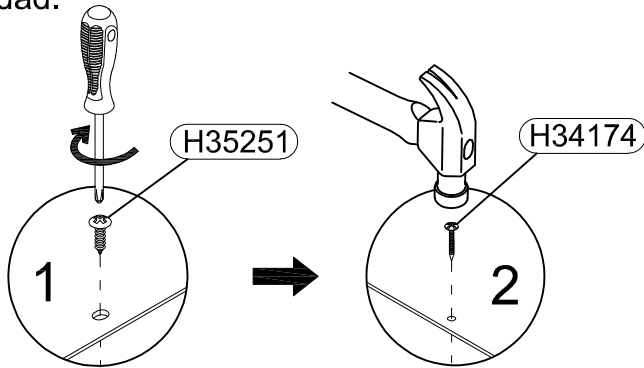
**H34174**



#3 x 3/4"

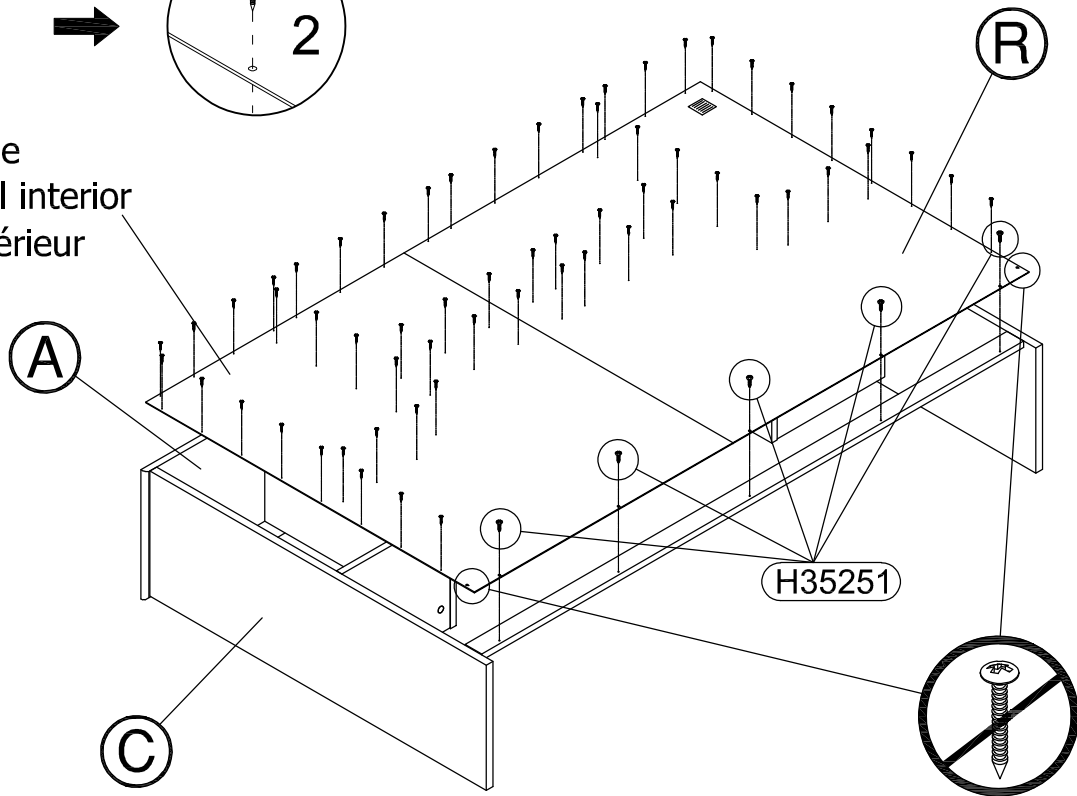
[ 61 ]

**Center the back panel so that the back panel does not stick out past the edge of the unit.**  
 Centrez le panneau arrière de manière à ce qu'il ne reste pas au-delà du bord de l'appareil.  
 Centre el panel posterior de modo que el panel posterior no se pegue más allá del borde de la unidad.



Safety glasses  
 Gafas de seguridad  
 Lunettes de protection

Grain to inside  
 Grano para el interior  
 Grain de l'intérieur



**WARNING**

Failure to install every indicated nail and/or screw could lead to excessive shelf sagging or product collapse resulting in serious injury or death.

Si no se instalan todos los clavos y / o tornillos indicados, se podría producir un hundimiento excesivo del estante o el colapso del producto, lo que podría provocar lesiones graves o la muerte.

Le fait de ne pas installer chaque clou et / ou vis indiqué pourrait entraîner un affaissement excessif de l'étagère ou un effondrement du produit, entraînant des blessures graves, voire mortelles.

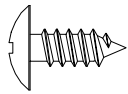
Have an assembly question or need a replacement part? Just call **1-800-950-4782**, we are here to help.

# STEP 14

# Prepare Panels

A174991E

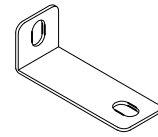
H35251



[ 11 ]

#10 x 1/2"

H174990



[ 9 ]

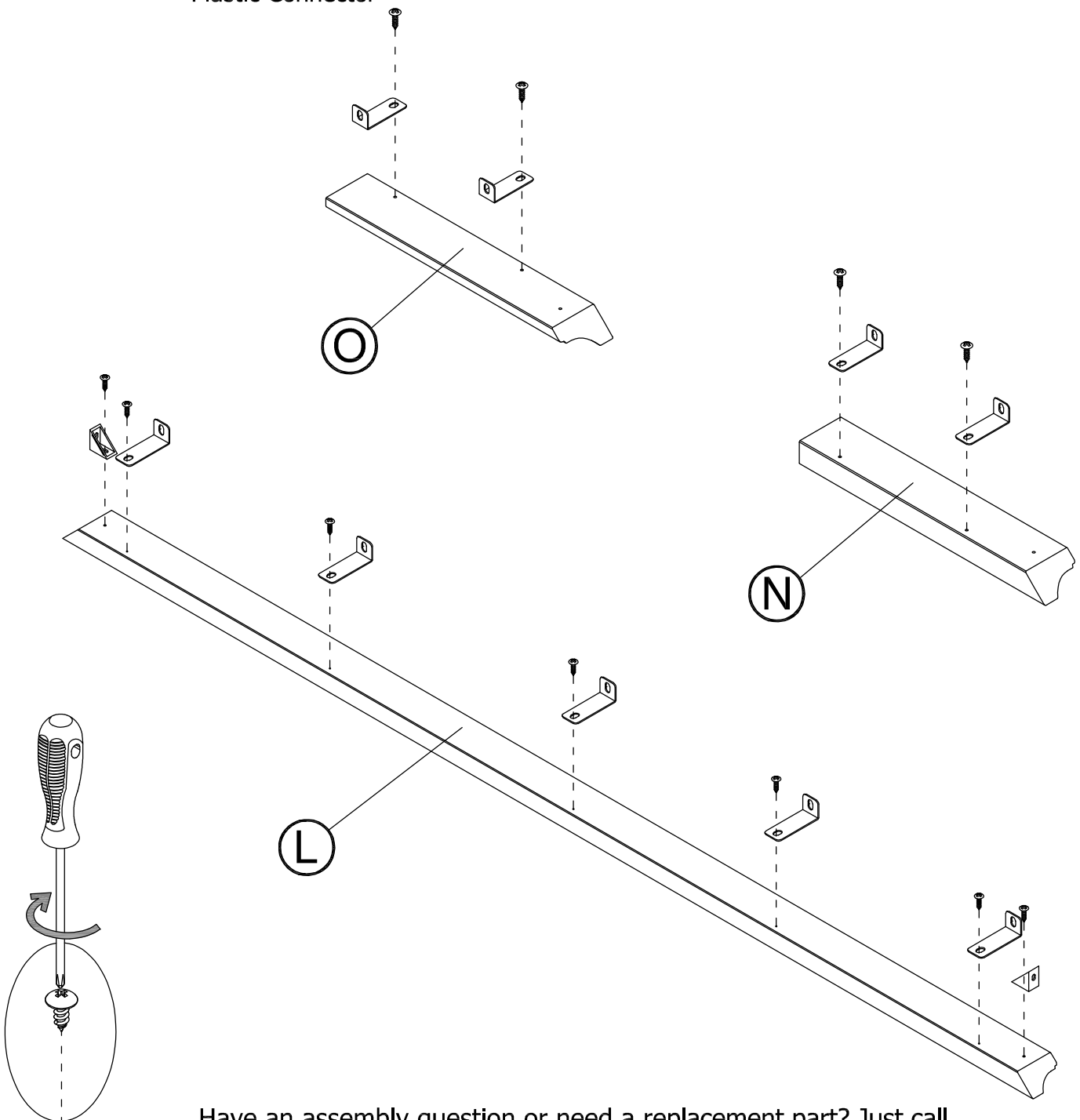
L bracket

H156903



[ 2 ]

Plastic Connector



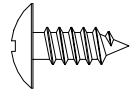
Have an assembly question or need a replacement part? Just call  
**1-800-950-4782**, we are here to help.

# STEP 15

# Assemble Panels

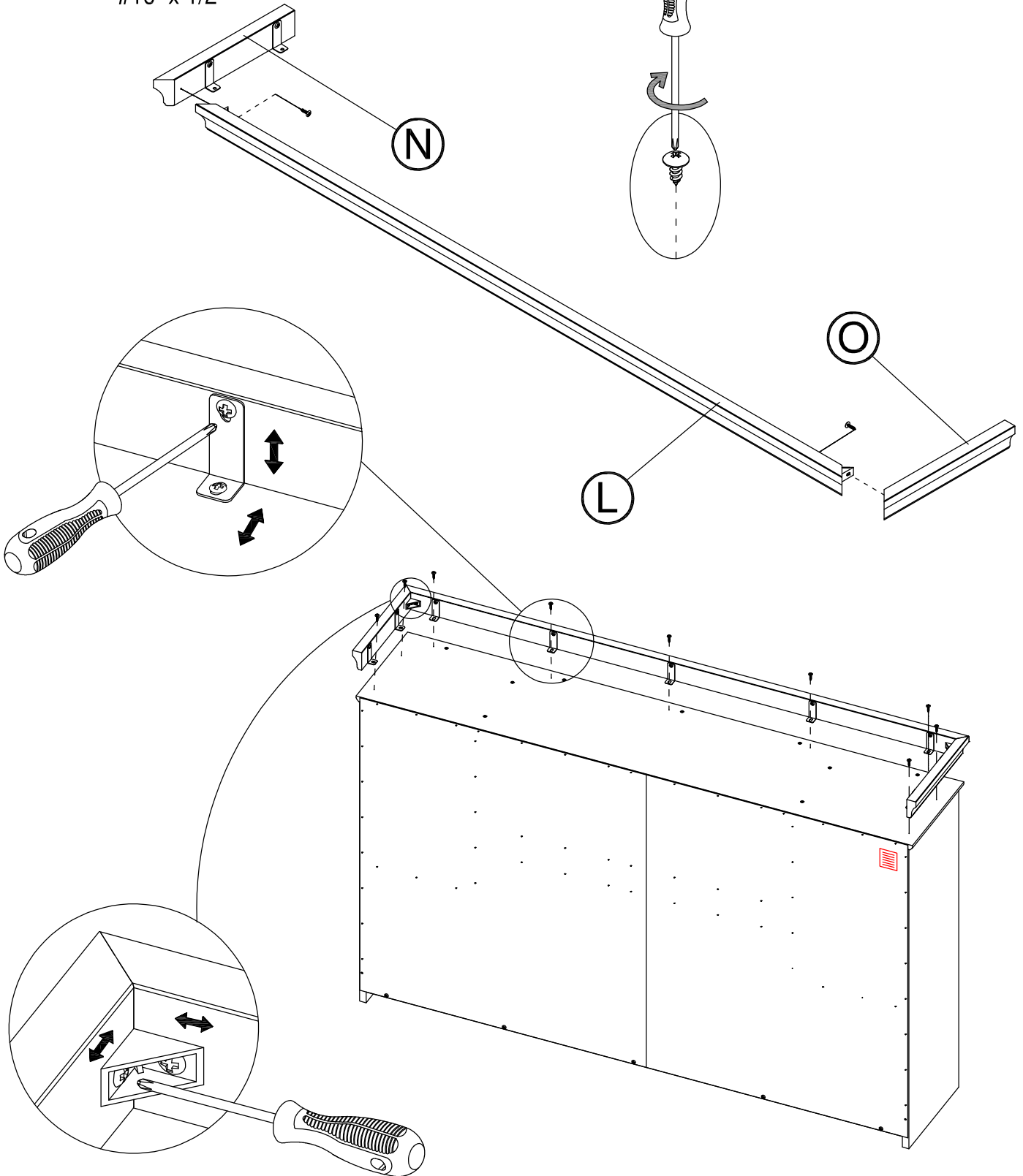
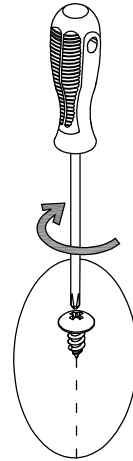
A174991E

H35251



[ 11 ]

#10 x 1/2"



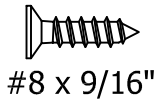
Have an assembly question or need a replacement part? Just call  
**1-800-950-4782**, we are here to help.

# STEP 16

# Prepare Panel

A174991E

H160159



[ 4 ]

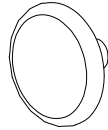
H158943



[ 1 ]

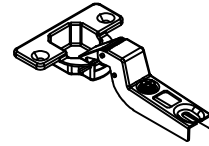
M4 x 25mm

H148805



[ 1 ]

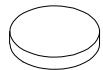
H166301



[ 2 ]

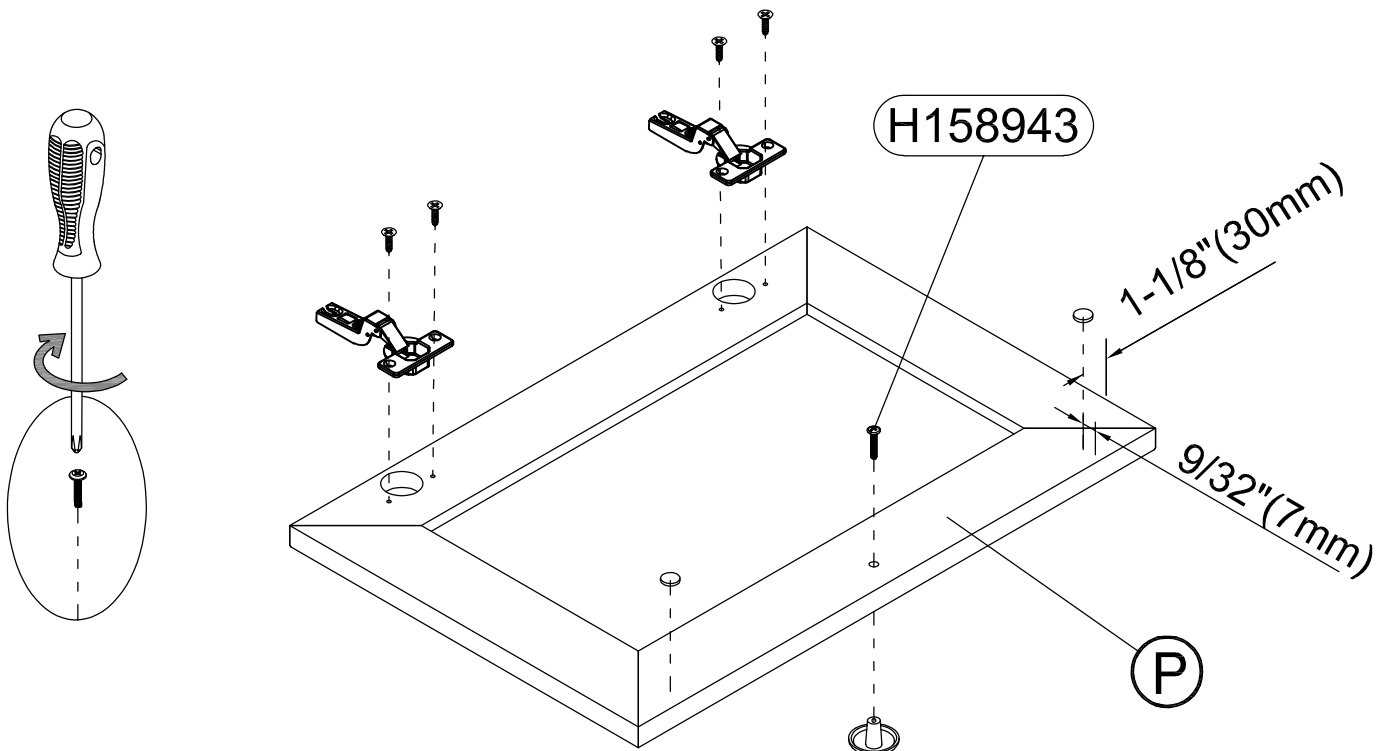
Hinge

H158082



[ 2 ]

Bumper





Have an assembly question or need a replacement part? Just call  
**1-800-950-4782**, we are here to help.

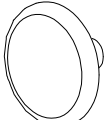
# STEP 17

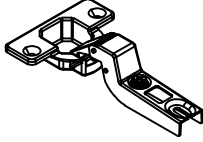
## Prepare Panel


A174991E

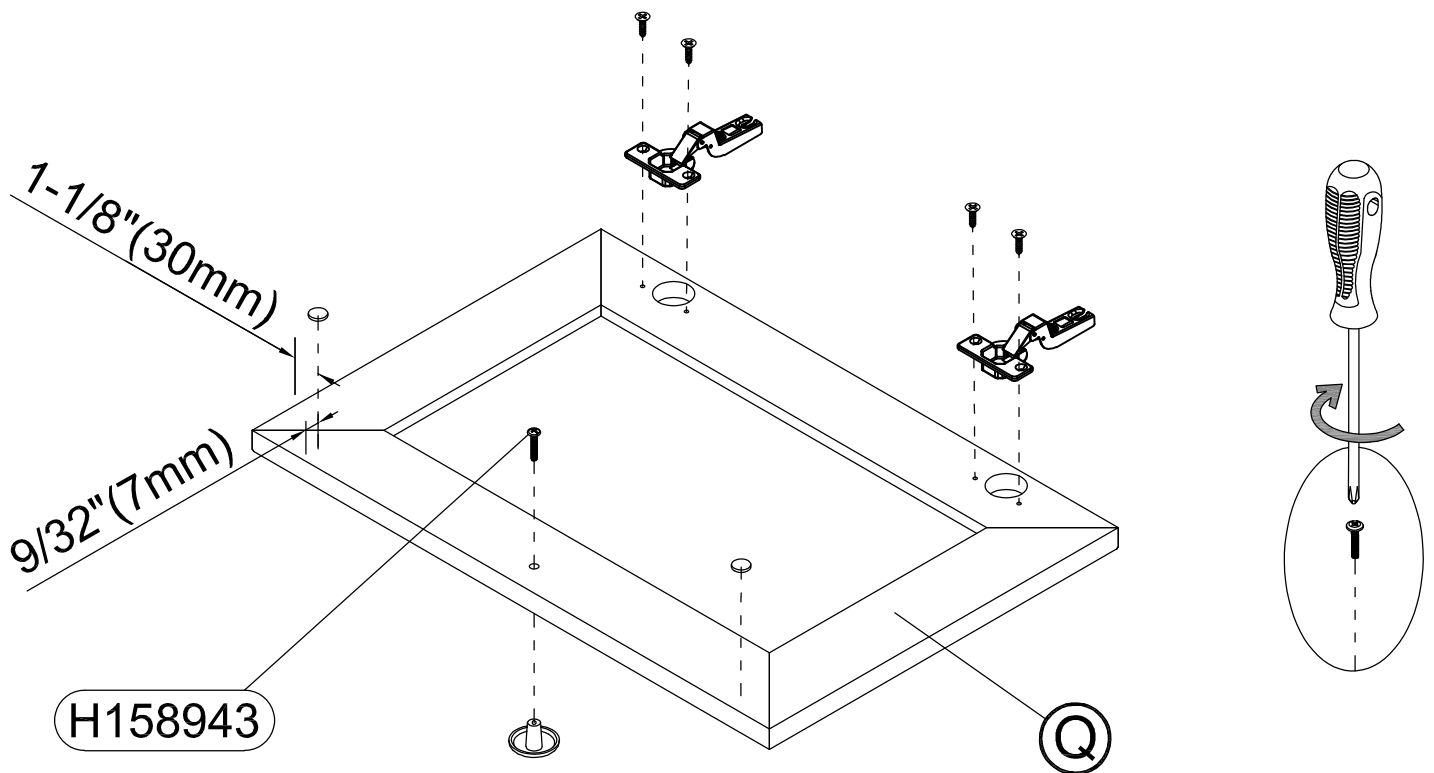
H160159  [ 4 ]  
#8 x 9/16"

H158943  [ 1 ]  
M4 x 25mm

H148805  [ 1 ]  
Pull

H166301  [ 2 ]  
Hinge

H158082  [ 2 ]  
Bumper



Have an assembly question or need a replacement part? Just call  
**1-800-950-4782**, we are here to help.



# STEP 18

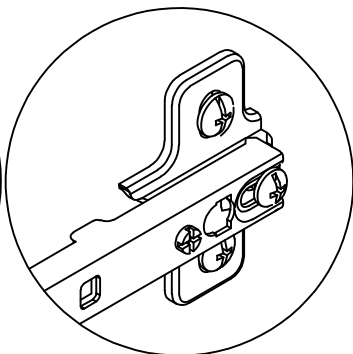
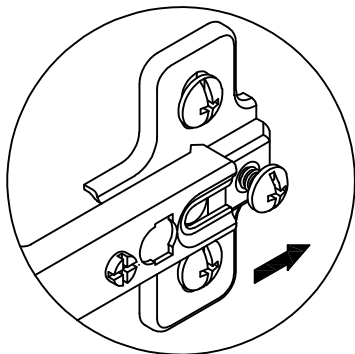
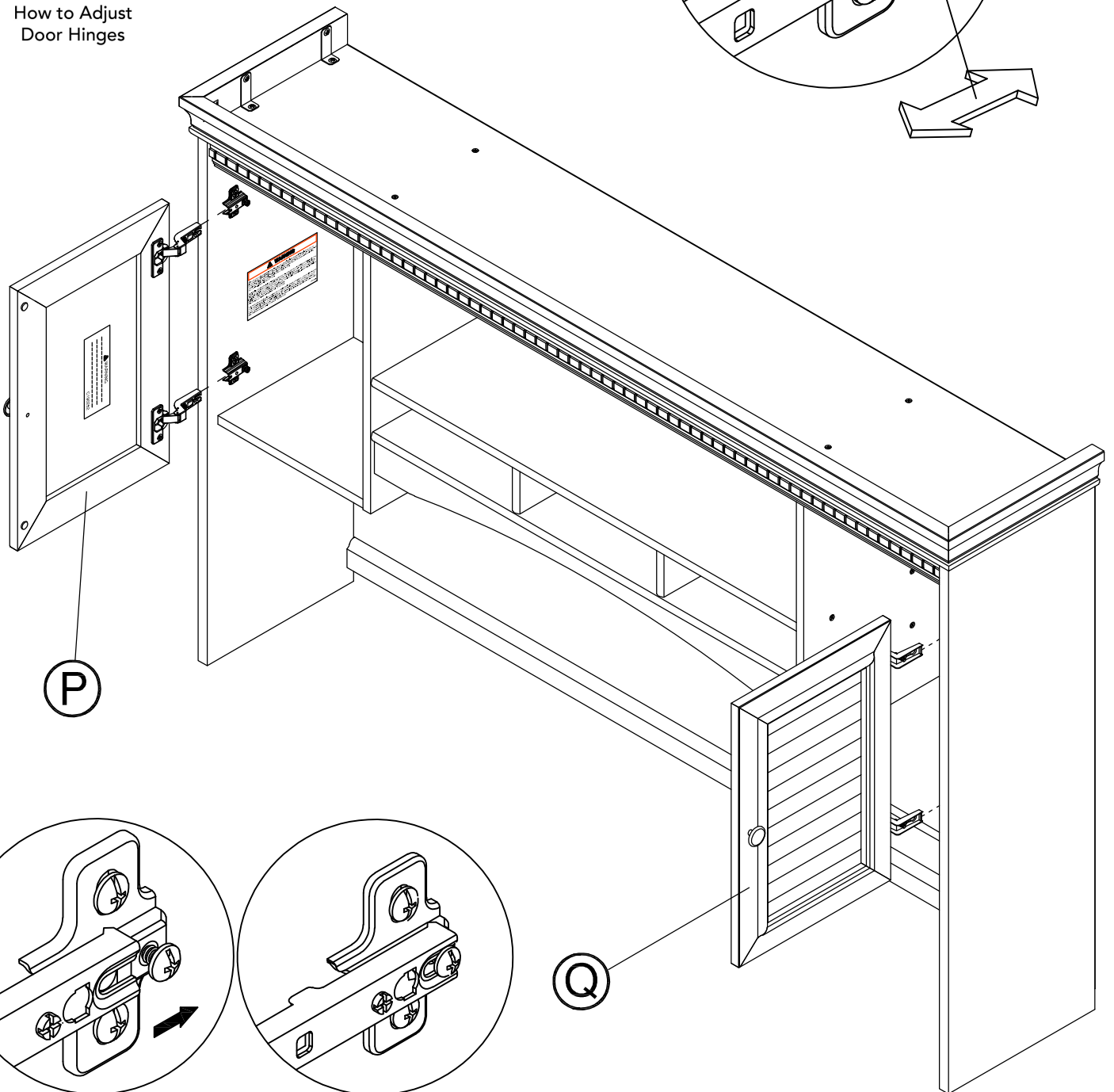
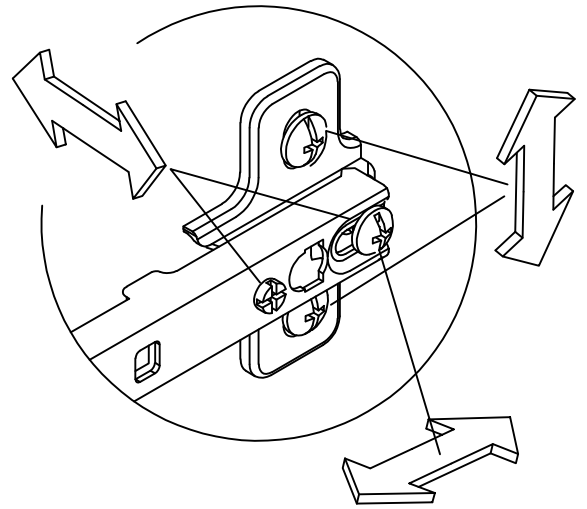
# Assemble and Adjust Door

A174991E

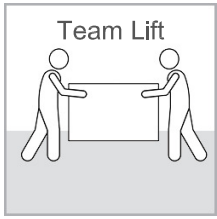
Scan QR Code to  
Watch Video on:



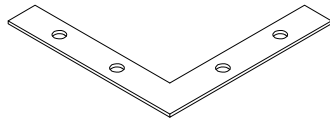
How to Adjust  
Door Hinges



Have an assembly question or need a replacement part? Just call  
**1-800-950-4782**, we are here to help.



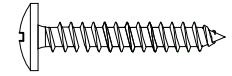
H85966



L-shaped plate

[ 2 ]

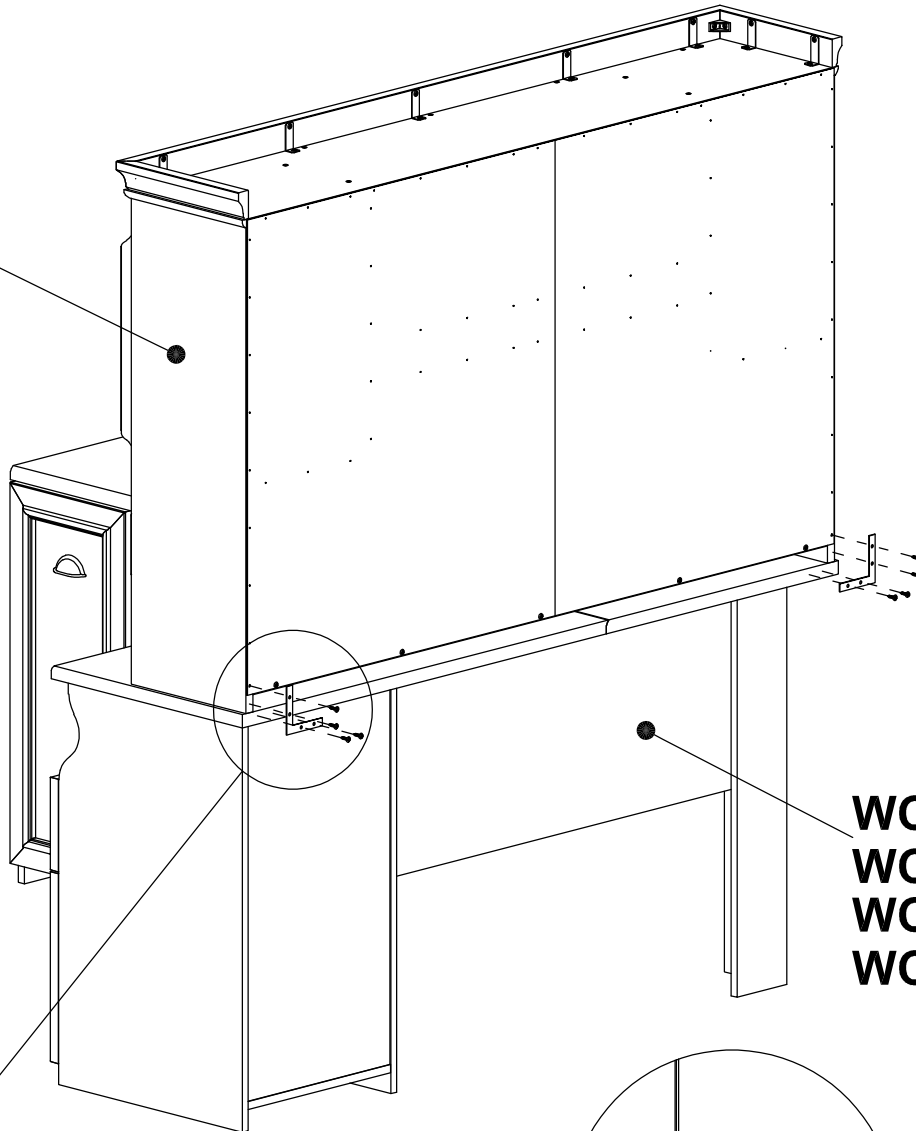
H158974



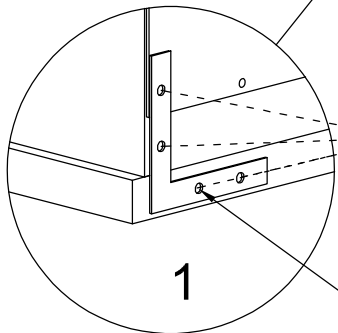
#8 x 1"

[ 8 ]

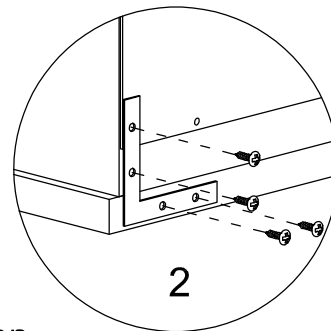
WC53231  
WC53931  
WC53531  
WC53631



WC53230  
WC53930  
WC53530  
WC53630



1



2

Drill (8) 1/8" holes 3/4" deep.  
Perfore (8) agujeros de 3mm a 19mm de profundidad.  
Percer (8) trous de 3mm de diamètre et 19mm de profondeur.

Have an assembly question or need a replacement part? Just call  
**1-800-950-4782**, we are here to help.

Secure unit to the wall with a tip-over restraint.

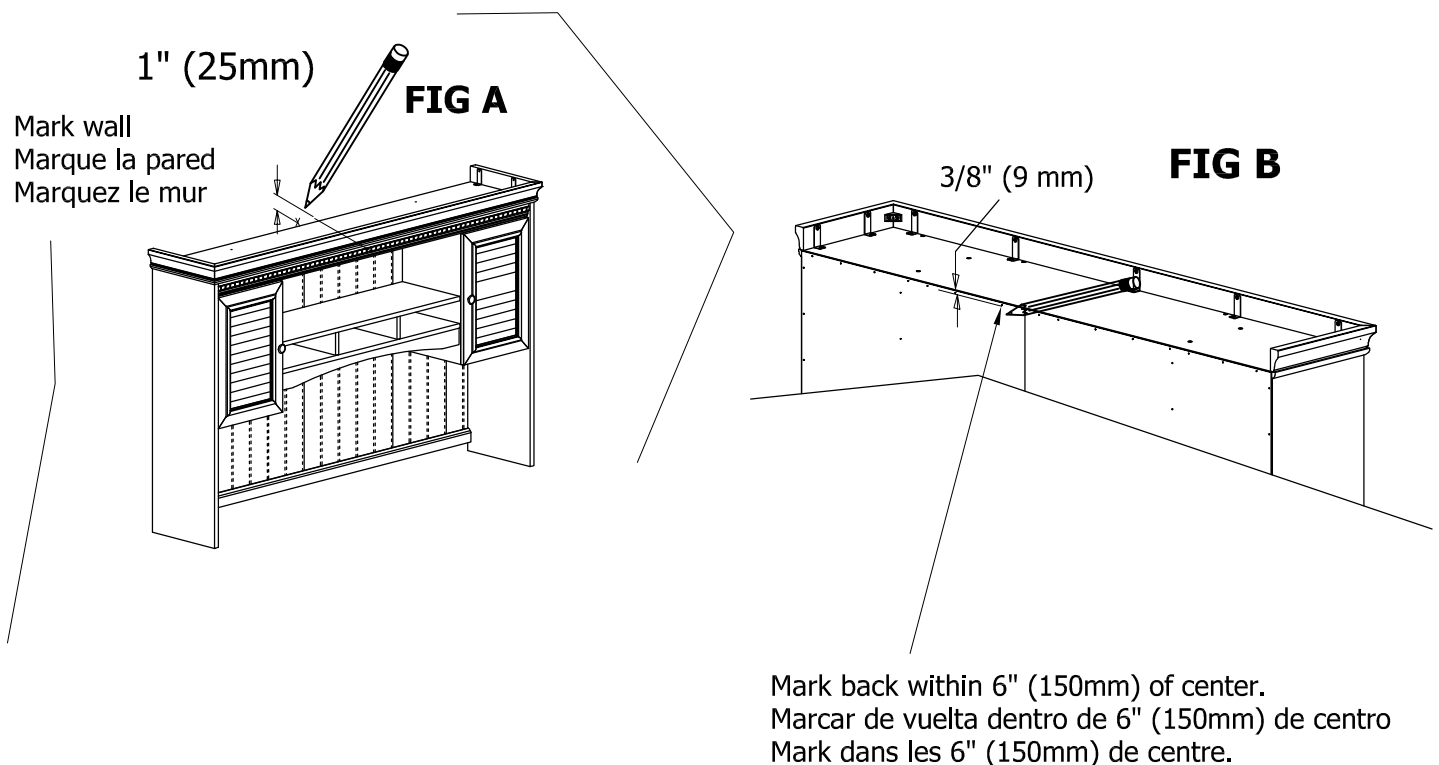
Unidad de seguro a la pared con un sistema de retención de un vuelco.

Fixer l'unité au mur avec un dispositif de retenue renversement.

1. Place unit in desired location.
2. Locate wall stud nearest unit center. **FIG A**
3. On wall, mark center of stud location 1" below top of unit. **FIG A**
4. If a wall stud cannot be located mark hollow wall at unit center. **FIG A**
5. On back of unit, mark corresponding location 3/8" below top of unit. **FIG B**

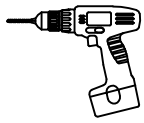
1. Coloque la unidad en el lugar deseado.
2. Localice pie derecho de pared centro de unidad más próxima.
3. En la pared del, marque el centro de la ubicación del montante 1 "abajo la parte superior de la unidad.
4. Si un poste de la pared no se puede localizar marcar pared hueca en el centro de la unidad.
5. En el dorso de la unidad, marque la ubicación 3/8 correspondiente abajo la parte superior de la unidad.

1. Placez l'unité à l'endroit désiré.
2. Localiser centre d'unité la plus proche de la paroi Stud.
3. Sur le mur, centre de emplacement du montant 1 "ci-dessous dessus de l'appareil de la marque.
4. Si un montant de mur ne peut pas être situé marquer mur creux au centre de l'unité.
5. Le dos de l'appareil, marquer l'emplacement 3/8 correspondant ci-dessous dessus de l'appareil.



Have an assembly question or need a replacement part? Just call  
**1-800-950-4782**, we are here to help.

## WALL STUD ATTACHMENT

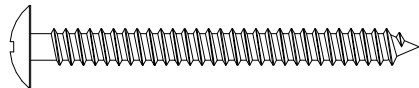


Drill 1/8" hole 2" deep at mark on wall.

Taladro 1/8 "agujero 2" de profundidad en la marca en la pared.

Percer 1/8 "trou de 2" de profondeur à la marque sur le mur.

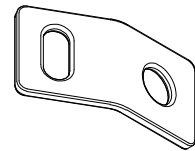
H181434



[ 1 ]

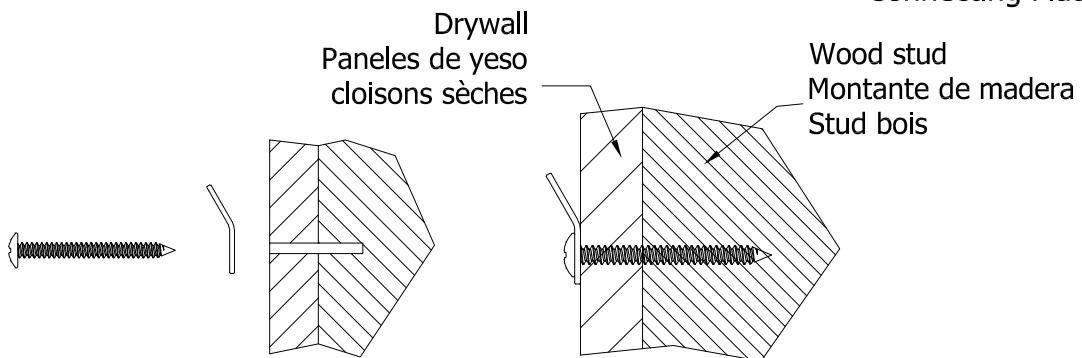
#10x2"

H181412

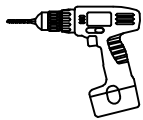


[ 1 ]

Connecting Plate



## HOLLOW WALL ATTACHMENT

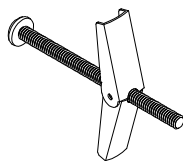


Drill 1/2" hole 1" deep at mark on wall.

Taladro 1/2 "agujero 1" de profundidad en la marca en la pared.

Percer 1/2 "trou de 1" de profondeur à la marque sur le mur.

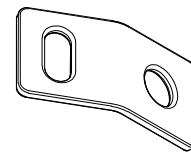
H181419



[ 1 ]

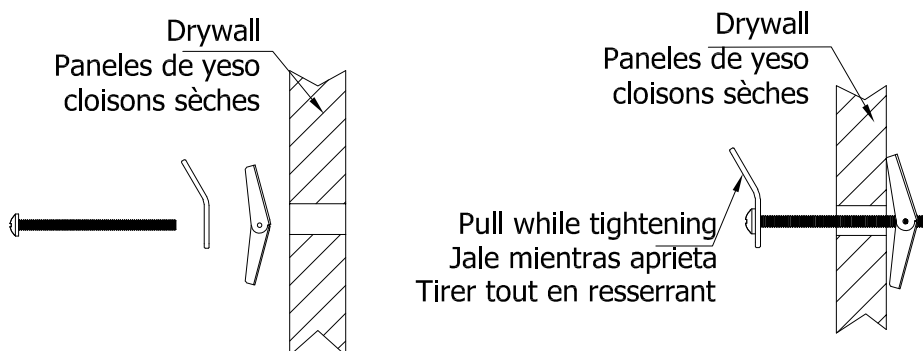
Toggle Bolt

H181412



[ 1 ]

Connecting Plate

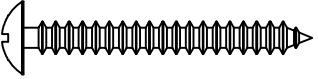


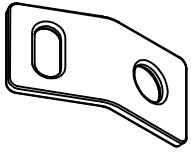
Have an assembly question or need a replacement part? Just call  
**1-800-950-4782**, we are here to help.

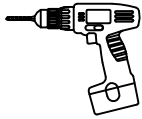
# STEP 22

# Install Anti-Tip

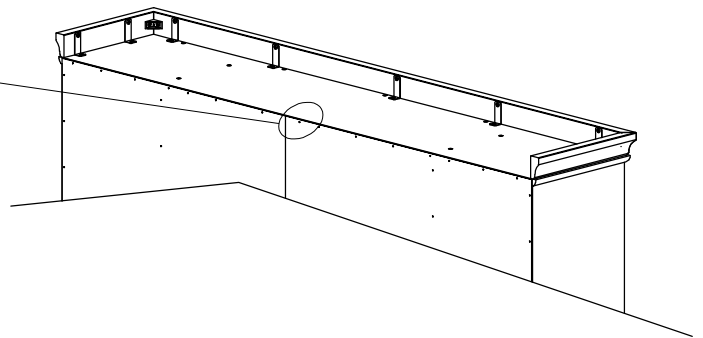
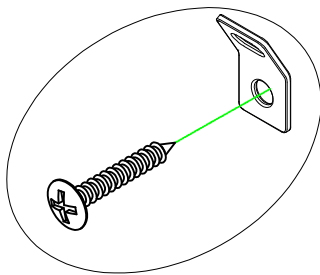
A174991E


H107572  [ 1 ]  
#8x1-1/2"

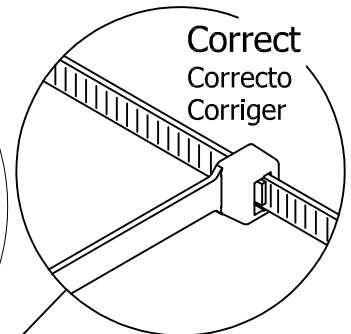
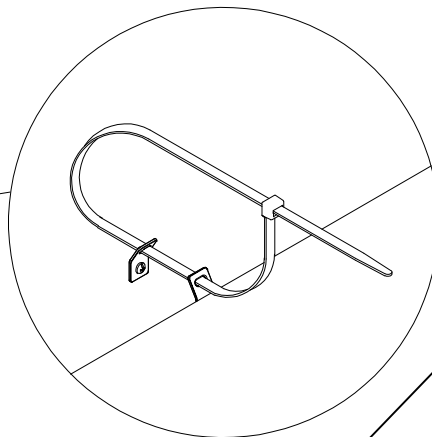
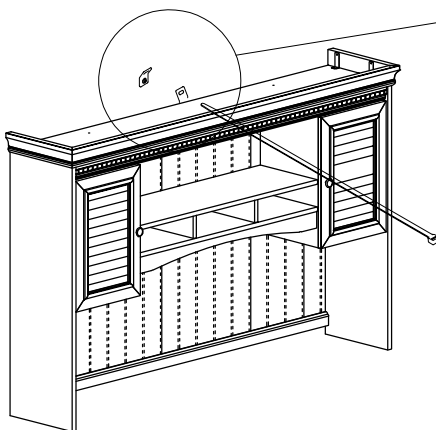
H181412  [ 1 ]  
Connecting Plate



Drill 1/8" hole 1-1/4" deep at mark on unit.  
Taladro 1/8 "agujero de 1-1/4" de profundidad en la marca de la unidad.  
Perçer 1/8 "trou 1-1/4" de profondeur à la marque sur l'unité.



H181411  [ 1 ]  
Nylon Cable Tie



Pull to verify lock  
Tire para verificar cerradura  
Tirez pour vérifier serrure

Use replacement cable tie with minimum breaking strength of 120lbs.  
Utilice reemplazo empate Cable con resistencia a la rotura mínima de 120 libras.  
Utilisez remplacement Attache de câble avec une force de rupture minimale de 120 lbs.

Have an assembly question or need a replacement part? Just call  
**1-800-950-4782**, we are here to help.

Scan QR Code to Watch Video on:

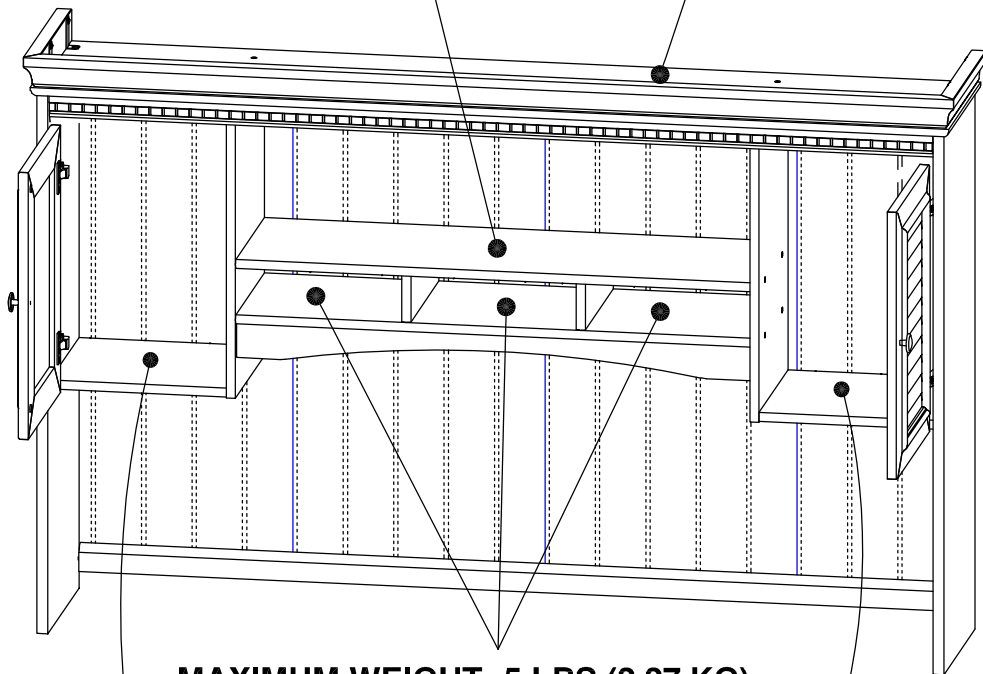


How to Clean the Surface

Gently clean surfaces with a damp sponge eraser.

**MAXIMUM WEIGHT: 0 LBS (0 KG)**  
**PESO MÁXIMO: 0 LIBRAS (0 KILOGRAMO)**  
**POIDS MAXIMUM: 0 LIVRES (0 KILOGRAMME)**

**MAXIMUM WEIGHT: 50 LBS (22.68 KG)**  
**PESO MÁXIMO: 50 LIBRAS (22.68 KILOGRAMO)**  
**POIDS MAXIMUM: 50 LIVRES (22.68 KILOGRAMME)**



**MAXIMUM WEIGHT: 5 LBS (2.27 KG)**  
**PESO MÁXIMO: 5 LIBRAS (2.27 KILOGRAMO)**  
**POIDS MAXIMUM: 5 LIVRES (2.27 KILOGRAMME)**

**MAXIMUM WEIGHT: 35 LBS (15.88 KG)**  
**PESO MÁXIMO: 35 LIBRAS (15.88 KILOGRAMO)**  
**POIDS MAXIMUM: 35 LIVRES (15.88 KILOGRAMME)**

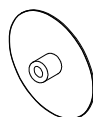
Congratulations! You are all done. If you have any questions or concerns, please call.

Have an assembly question or need a replacement part? Just call **1-800-950-4782**, we are here to help.

**WC53231**

A	[1]	W158462	J	[1]	W158471
B	[1]	W158463	K	[1]	S158472
C	[1]	W158464	L	[1]	W158473
D	[1]	W158465	M	[1]	W158474
E	[1]	W158466	N	[1]	W158475
F	[2]	W158467	O	[1]	W158476
G	[1]	W158468	P	[1]	S158477
H	[1]	W158469	Q	[1]	S158478
I	[2]	W158470	R	[1]	W158479

H160172



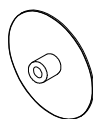
[ 12 ]

Cover Cap

**WC53931**

A	[1]	W158480	J	[1]	W158489
B	[1]	W158481	K	[1]	S158490
C	[1]	W158482	L	[1]	W158491
D	[1]	W158483	M	[1]	W158492
E	[1]	W158484	N	[1]	W158493
F	[2]	W158485	O	[1]	W158494
G	[1]	W158486	P	[1]	S158495
H	[1]	W158487	Q	[1]	S158496
I	[2]	W158488	R	[1]	W158497

H160173



[ 12 ]

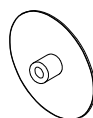
Cover Cap

Have an assembly question or need a replacement part? Just call  
**1-800-950-4782**, we are here to help.

**WC53531**

A	[1]	W194432	J	[1]	W194441
B	[1]	W194433	K	[1]	S194442
C	[1]	W194434	L	[1]	W194443
D	[1]	W194435	M	[1]	W194444
E	[1]	W194436	N	[1]	W194445
F	[2]	W194437	O	[1]	W194446
G	[1]	W194438	P	[1]	S194447
H	[1]	W194439	Q	[1]	S194448
I	[2]	W194440	R	[1]	W194449

H186180



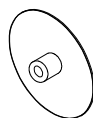
[ 12 ]

Cover Cap

**WC53631**

A	[1]	W198323	J	[1]	W198332
B	[1]	W198324	K	[1]	S198333
C	[1]	W198325	L	[1]	W198334
D	[1]	W198326	M	[1]	W198335
E	[1]	W198327	N	[1]	W198336
F	[2]	W198328	O	[1]	W198337
G	[1]	W198329	P	[1]	S198338
H	[1]	W198330	Q	[1]	S198339
I	[2]	W198331	R	[1]	W198340

H170595



[ 12 ]

Cover Cap

Have an assembly question or need a replacement part? Just call  
**1-800-950-4782**, we are here to help.



**THIS PAGE INTENTIONALLY LEFT BLANK**

**THIS PAGE INTENTIONALLY LEFT BLANK**

**THIS PAGE INTENTIONALLY LEFT BLANK**

# WARRANTY INFORMATION/INFORMATIONS POUR LA GARANTIE/INFORMACIÓN DE GARANTÍA

## BUSH FURNITURE'S WRITTEN WARRANTY TO YOU

In order to provide you with timely assistance, please thoroughly inspect your furniture for missing or defective parts immediately after opening the carton. To receive replacement or missing parts under this warranty, call our Consumer Service Department TOLL-FREE at 1-800-950-4782. Please have the Model, Part, and Lot Numbers found in the instruction manual available for your reference. You will also need your sales receipt or other proof of purchase. Replacement part(s) will be shipped to you at no charge with Bush Industries assuming all shipping and handling charges.

This Bush Furniture product is warranted to the original purchaser at the time of purchase and for a period of six years thereafter.

We warrant to you, the original purchaser, that our furniture and all its parts and components are free of defects in material or workmanship. "Defects," as used in this warranty, is defined as any imperfection which impairs the use of the furniture product.

Our warranty is expressly limited to the replacement of furniture parts and components. For six years after the date of purchase, Bush will replace any parts that are defective in material or workmanship.

This warranty applies under conditions of normal use. Our Bush Furniture products are not intended for outdoor use. This warranty does not cover: 1) defects caused by improper assembly or disassembly; 2) defects occurring after purchase due to product modification, intentional damage, accident, misuse, abuse, negligence or exposure to the elements; and 3) labor or assembly costs.

IMPLIED WARRANTIES, INCLUDING THE WARRANTY OF MERCHANTABILITY, SHALL NOT EXTEND BEYOND THE DURATION OF THE WRITTEN WARRANTY STATED ABOVE, AND IN NO EVENT SHALL BUSH BE LIABLE FOR INCIDENTAL OR CONSEQUENTIAL DAMAGES RESULTING FROM USE OF THE PRODUCT. Some states do not allow a limitation on how long an implied warranty lasts or the exclusion or limitation of incidental or consequential damages, so the above limitation and exclusion may not apply to you.

This warranty gives you specific legal rights. You may also have other rights that may vary from state to state.

## VOTRE GARANTIE BUSH FURNITURE

Afin de vous assister rapidement, veuillez inspecter votre mobilier en détail immédiatement après l'ouverture du carton en cas de pièces manquantes ou défectueuses. Pour recevoir une pièce de rechange ou manquante couverte par cette garantie, appelez notre département de service clientèle GRATUITEMENT au 1-800-950-4782. Veuillez tenir à disposition les numéros de modèle, de pièce et de lot qui se trouvent dans le manuel d'instruction pour votre référence. Vous aurez également besoin de votre reçu ou d'une autre preuve d'achat. La (les) pièce(s) de rechange vous sera (seront) envoyée(s) sans frais, Bush Industries se chargeant de tous les frais d'expédition.

Tout le produit Bush Furniture est garanti à l'acheteur original à partir de la date d'achat pour une période d'e six ans.

Nous vous garantissons, à vous l'acheteur original, que notre mobilier et toutes ses pièces et composants sont sans défaut de matériau ou de fabrication. Le terme "défauts" utilisé dans cette garantie, est défini comme étant toutes les imperfections qui compromettent l'utilisation du meuble.

Notre garantie est expressément limitée au remplacement des pièces et des composants du mobilier. Pendant six ans après la date d'achat, Bush remplacera toute pièce défectueuse dans le matériau ou sa fabrication.

Cette garantie d'applique sous des conditions d'utilisation normale. Nos produits ne sont pas destinés à être utilisés en plein air. Cette garantie ne couvre pas: 1) les défauts causés par un mauvais assemblage ou démontage, 2) les défauts ayant lieu après l'achat et dus à la modification du produit, des dommages intentionnels, des accidents, une mauvaise utilisation, un mauvais traitement, la négligence ou l'exposition aux éléments, et 3) les frais de main d'œuvre ou d'assemblage.

LES GARANTIES TACITES, Y COMPRIS LA GARANTIE DE QUALITE MARCHANDE, NE S'ETENDRONT PAS AU-DELA DE LA DUREE ECRITE CITEE CI-DESSUS, ET BUSH NE SERA EN AUCUN CAS RESPONSABLE DES DOMMAGES ACCESSOIRES OU INDIRECTS RESULTANT DE L'UTILISATION DU PRODUIT. Certains états ne permettent pas d'appliquer une limite à la durée de la garantie tacite, ni une exclusion ou limitation des dommages accessoires ou indirects; dans ce cas les limitations ou exclusion ci-dessus peuvent ne pas s'appliquer à vous.

Cette garantie vous donne des droits légaux spécifiques. Il se peut que vous ayez également d'autres droits qui peuvent varier d'un état à l'autre.

## GARANTIA ESCRITA DE BUSH FURNITURE PARA USTED

Para brindarle asistencia oportuna, por favor, verifique detalladamente que a su mueble no le falte o tenga piezas defectuosas inmediatamente después de abrir la caja. Para recibir un reemplazo o la parte faltante bajo esta garantía, llame a nuestro Departamento de Servicio al Consumidor GRATIS al 1-800-950-4782. Sírvase traer los números de modelo, parte y lote que se encuentran en el manual de instrucciones disponible para su referencia. Además, necesitará el recibo de su compra u otra prueba de compra. La(s) pieza(s) de reemplazo le será(n) enviada(s) sin recargo por Bush Industries asumiendo los gastos de envío y manipuleo.

Todo mueble de Bush Furniture es garantizado al comprador original al momento de la compra y por un periodo de seis años en adelante.

Le garantizamos a usted, el comprador original, que nuestros muebles sus partes y componentes están libres de defectos en materiales o trabajo. "Defectos", según se usa en esta garantía, se define como una imperfección que perjudica el uso del producto mobiliario.

Nuestra garantía se limita expresamente al reemplazo de partes y componentes mobiliarios. Durante seis años después de la fecha de compra, Bush reemplazará cualquier parte defectuosa en material o trabajo.

Esta garantía se aplica bajo condiciones de uso normal. Nuestros productos de Bush Furniture no son para uso en exteriores. Esta garantía no cubre: 1) defectos causados por un ensamblaje o desensamblaje inadecuado; 2) defectos que ocurran después de la compra debido a modificación del producto, daño intencional, accidente, mal uso, abuso, negligencia o exposición a los elementos; y 3) costos de trabajo o ensamblaje.

LAS GARANTÍAS IMPLICADAS, INCLUYENDO LA GARANTÍA DE COMERCIABILIDAD, NO SE EXTENDERÁN MÁS ALLÁ DE LA DURACIÓN DE LA GARANTÍA ESCRITA MENCIONADA, Y EN NINGÚN CASO BUSH SERÁ RESPONSABLE POR DAÑOS INCIDENTALES O CONSIGUIENTES COMO RESULTADO DEL USO DEL PRODUCTO. Algunos estados no permiten una limitación sobre el tiempo de duración de la garantía implicada o la exclusión o limitación de daños incidentales o consiguientes, de manera que la limitación y exclusión mencionadas pueden no aplicarse para usted.

Esta garantía le otorga derechos legales específicos. Puede también tener otros derechos que pueden variar según los estados.

**6-Year**

Manufacturer's  
Warranty

**Register your  
product online at**

Scan the QR Code or go to  
[http://www.bushfurniture.com/  
ProductRegistration.aspx](http://www.bushfurniture.com/ProductRegistration.aspx)



**Assembly tips &  
how to videos**

Scan the QR Code to access our video  
guides [https://www.bushfurniture.com/  
CustomerService/HowToAssemble.aspx](https://www.bushfurniture.com/CustomerService/HowToAssemble.aspx)

