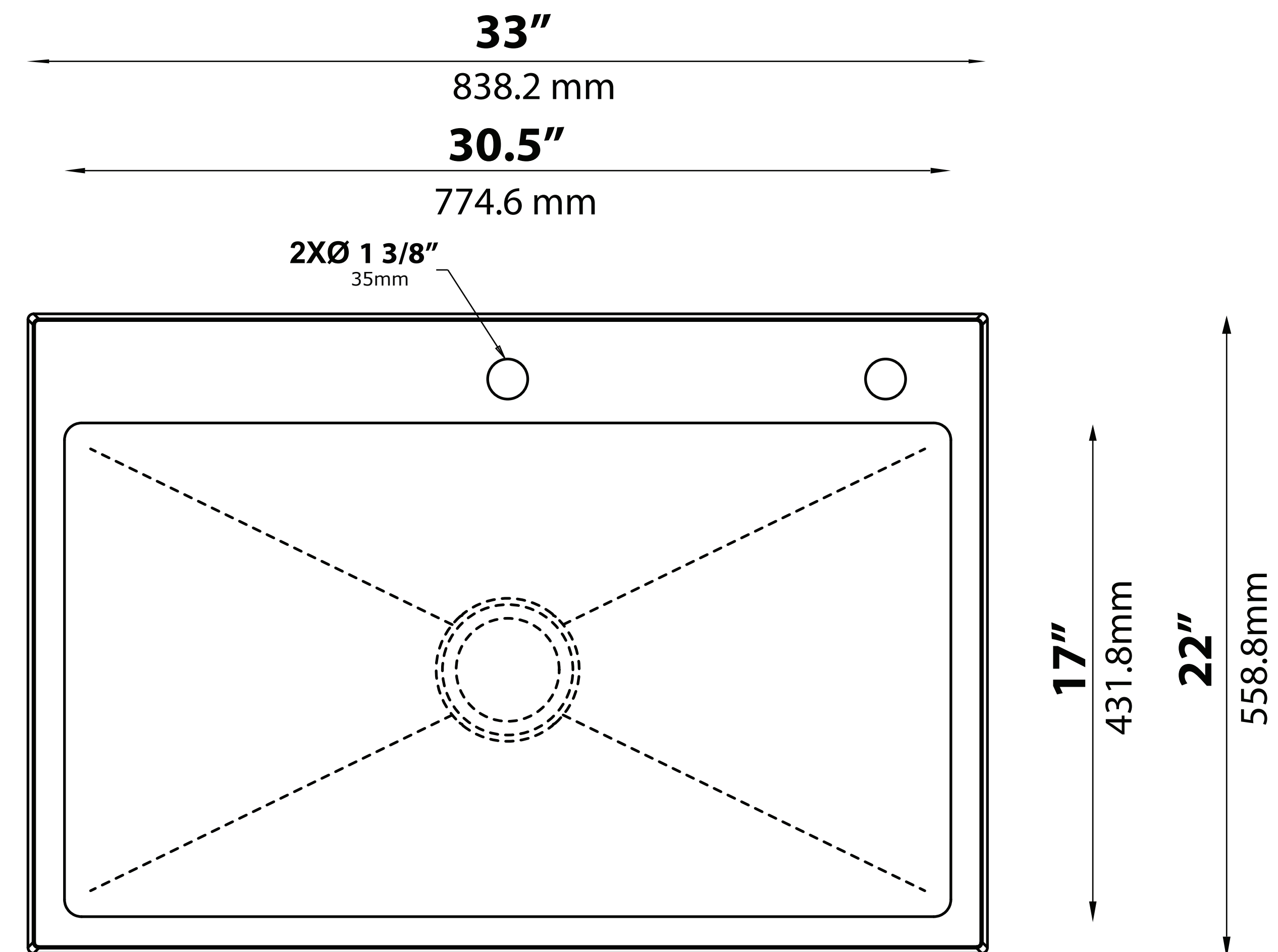


**Kräus**<sup>®</sup>  
www.kraususa.com

**Model No.  
KHT6N0-33-R15**

**Top Mount Cut-out**

Pro Hotline: 516.801.8955  
Customer Service: 800.775.0703



**NOTES:**

- 1.The "N" in the Model Number refers to the drain location.
- 2.Cutout template is provided as a guide **ONLY** and must be checked against actual sink to verify correct fit.

**Kräus**<sup>®</sup>  
www.kraususa.com

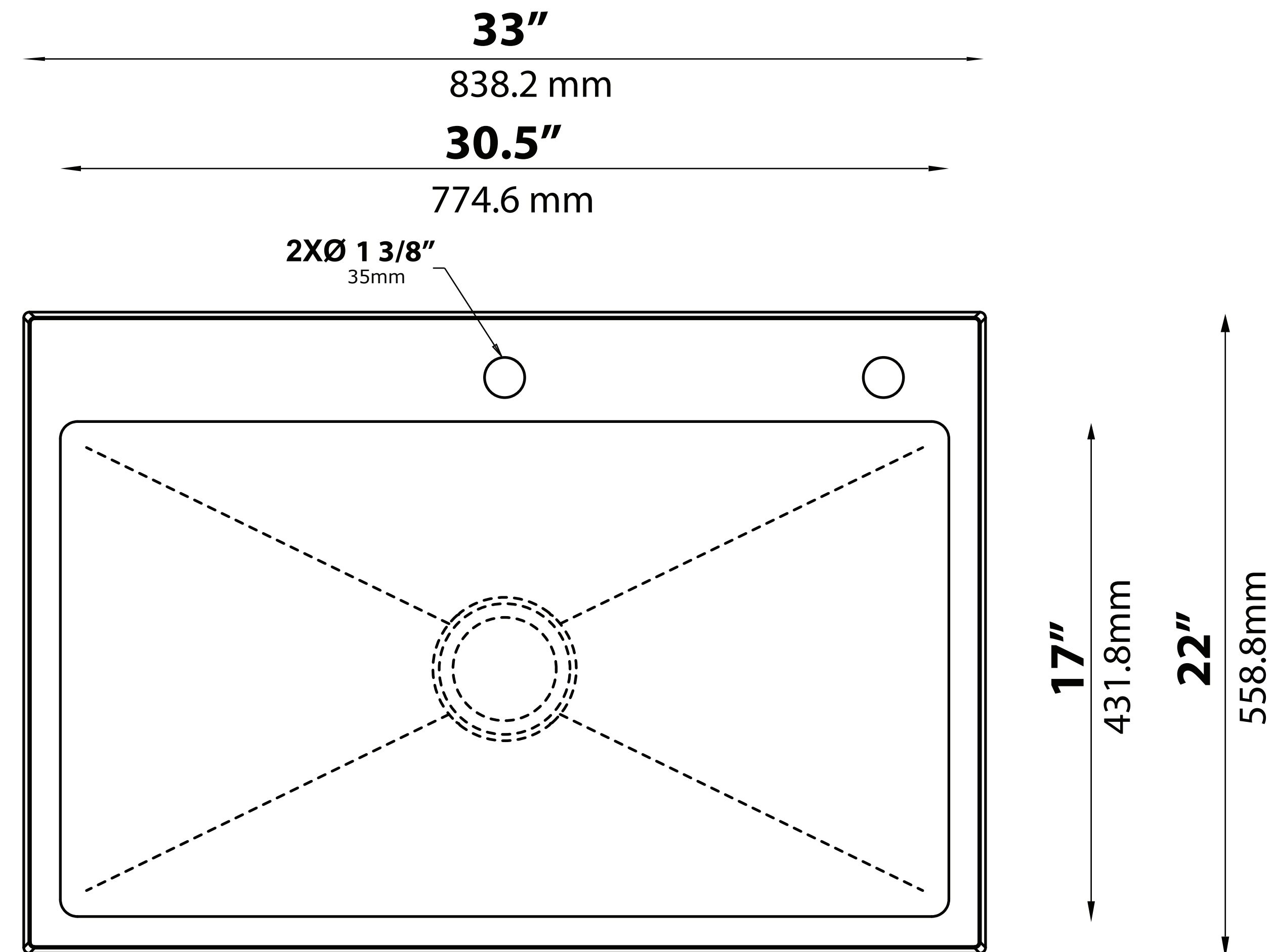
**Model No.  
KHT6N0-33-R15**

**Undermount Cut-out**

Pro Hotline: 516.801.8955  
Customer Service: 800.775.0703

**NOTES:**

- 1.The "N" in the Model Number refers to the drain location.
- 2.Cutout template is provided as a guide **ONLY** and must be checked against actual sink to verify correct fit.



Please cut along outer solid line for zero / flushed reveal →  
Please cut along inner solid line for Negative reveal 1/8" →