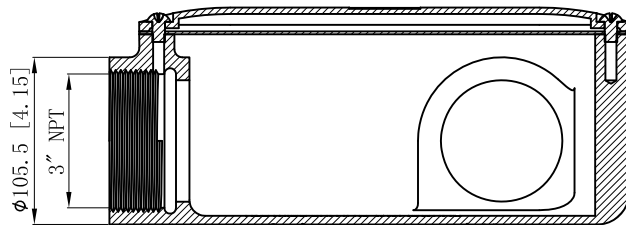
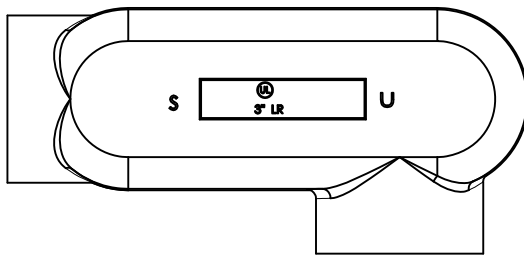
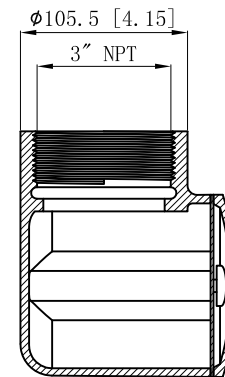
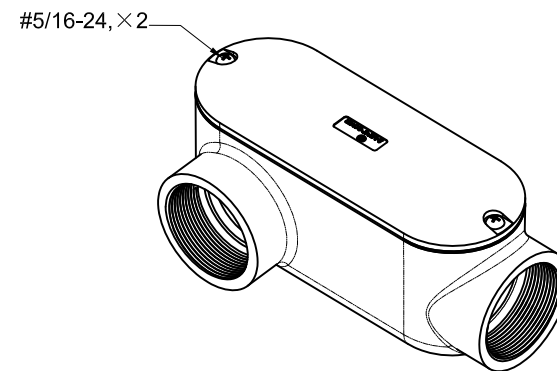
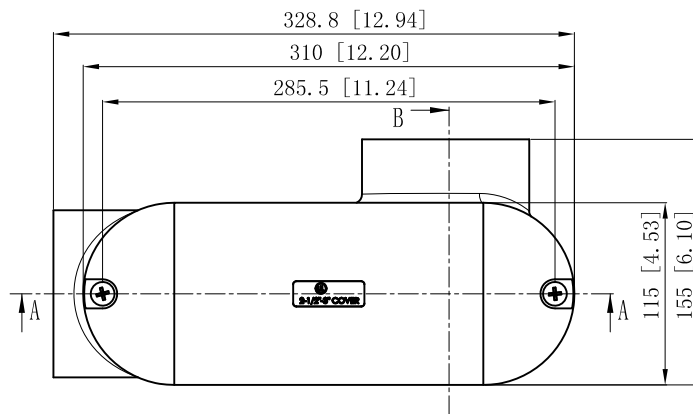


SIDES	BOTTOM
2 Pcs #5/16-24×1/2 Screws Installed	
Material: Aluminum Powder Coating Silver Grey	



CUTAWAY VIEW A-A



CUTAWAY VIEW B-B

This data sheet is for reference only .GARVIN INDUSTRIES reserves the right to make changes to the design without prior notice.

DESCRIPTION
TRADE REFERENCE TERMS

STANDARD PACKING
1 PCS

TITLE		GARVIN INDUSTRIES	
TITLE		"LL" ALUMINUM CONDUIT BODY	
SIZE	DWG NO.	LR300	REV
A4			
DATA SHEET			