

SINCE 1839

**BRINLY**

SINCE 1839

**BRINLY**

# OWNER'S MANUAL

## *PUSH SPREADER*

*MODEL:*

***P20-500BH***

***P20-500BHDF-A***

- Assembly
- Installation
- Operation
- Repair Parts



**Call Customer Service, Toll-Free: 877-728-8224**

**Visit us on the web!**  
[www.brinly.com](http://www.brinly.com)

**Important:** This manual contains information for the safety of persons and property. Read it carefully before assembly and operation of the equipment!

# INTRODUCTION AND SAFETY

CONGRATULATIONS on your new Brinly-Hardy Spreader! This accessory has been designed, engineered and manufactured to give you the best possible dependability and performance.

Should you experience any problem you cannot easily remedy, please do not hesitate to contact our knowledgeable customer service department toll-free at 1-877-728-8224. We have competent, well trained technicians to help you with the assembly and use of your spreader.



## CUSTOMER RESPONSIBILITIES

- Please read & retain this manual. The instructions will enable to assemble and maintain your product properly.
- Please carefully read and observe the SAFETY SECTION of this manual.
- Follow a regular schedule in maintaining and caring for your Brinly-Hardy product.

## TABLE OF CONTENTS

Safety . . . . .	2-3
Parts Breakdown . . . . .	4-5
Assembly . . . . .	6-9
Operation and Maintenance . . . . .	10-11
Application Rate Chart . . . . .	12-15
Warranty . . . . .	16

Manual en Español  
Manual en Français

## RECORD PURCHASE INFORMATION

Record your purchase information in the spaces provided below:

Date of Purchase \_\_\_\_\_

Company Name \_\_\_\_\_

Company Phone \_\_\_\_\_

Serial Number \_\_\_\_\_

## REQUIRED TOOLS FOR ASSEMBLY



- 10 mm Wrench (x2)

## SAFETY



This symbol will help to point out important safety precautions throughout this manual. It means: **ATTENTION! BECOME ALERT! YOUR SAFETY IS INVOLVED.**

The machine safety labels shown in this section are placed in important areas on your machine to draw attention to potential safety hazards.

On your machine safety labels, the words **DANGER, WARNING,** and **CAUTION** are used with this safety-alert symbol. **DANGER** identifies the most serious hazards.

The operator's manual also explains any potential safety hazards whenever necessary in special safety messages that are identified with the word, **CAUTION**, and the safety-alert symbol.



# PARTS BREAKDOWN

Ref #	Part #	Description	Qty
1	1007081	Handle spacer	1
2	1007082	Carriage bolt, M6 x 25	1
3	1007083	Washer; 6M	1
4	1007084	Gauge and lever assembly	1
5	1007085	Adjust handle assembly	1
6	1007086	Adjustable handle knob side 1	1
7	1007087	Adjustable handle knob side 2	1
8	1007088	Screw; M4 x 18	1
9	1007089	Handle spacer	1
10	1007090	Wing nut, M6	1
11	1007091	Bolt; M6 x 45	7
12	1007092	Washer; Nylon	1
13	1007093	Flat washer, M 6, big SS	1
14	1007094	Screen	1
15	1007095	Handle cover	2
16	1008017	Hopper Assembly, Black *	1
17	1007097	R pin, M2 diameter	1
18	1007098	Hopper bushing	1
19	1007099	Pivot and bracket asm.	1
20	1007100	Wheel frame tube	2
21	1007101	Nut, M6	2
22	1007102	End cover	2
23	1007103	Upper handle	2
24	1007104	Nut, Lock M6 SS	11
25	1007105	Control rod A	1
26	1007106	Handle shaft	1
27	1007107	Shut off plate	1
28	1007108	Flat washer, M4, big	3
29	1007109	Screw, M4 x 12	3
30	1007110	Frame	1
31	1007111	Frame brace	2
32	1007112	Bolt, M6 x 60	2

Ref #	Part #	Description	Qty
33	1007113	Bolt, M6 x 35	2
34	1007114	Flat washer, M16	1
35	1007115	End cap	2
36	1007116	Pneumatic Wheel (Yellow Hub)	2
	1008781	Pneumatic Wheel (Gray Hub)	2
37	1007117	Axle bushing	2
38	1007118	Axle bearing	2
39	1007119	Gearbox& axle assembly	1
40	1008031	Cotter Pin, 2.9 x 28mm, SS	1
42	1007122	Impeller	1
43	1007123	Screw, M6 x 40	4
44	1007124	Hex Locknut, M5	1
45	1007125	Cross brace	1
46	1007126	Adjust connect rod, B	1
47	1007127	Hex bolt, M5 x 60	1
48	1007128	Washer, Flat M6	3
49	1008098	Cotter Pin, Small	2
50	1007531	Washer, Nylon, Black	4

*Included with P20-500BHDF-A:*

52	1007520	Deflector Kit	1
53	1007521	Plate, mount	1
54	1007522	Deflector Shield, Side	1
59	1007573	Cover, 50# Spreader	1
55	1007552	Fastener Bag	1
56	1007553	- 6 mm x 45 mm Screw SS	2
57	1007524	- Bolt, Carriage M6 x 140, SS	1
58	1007575	- Knob, Deflector	1

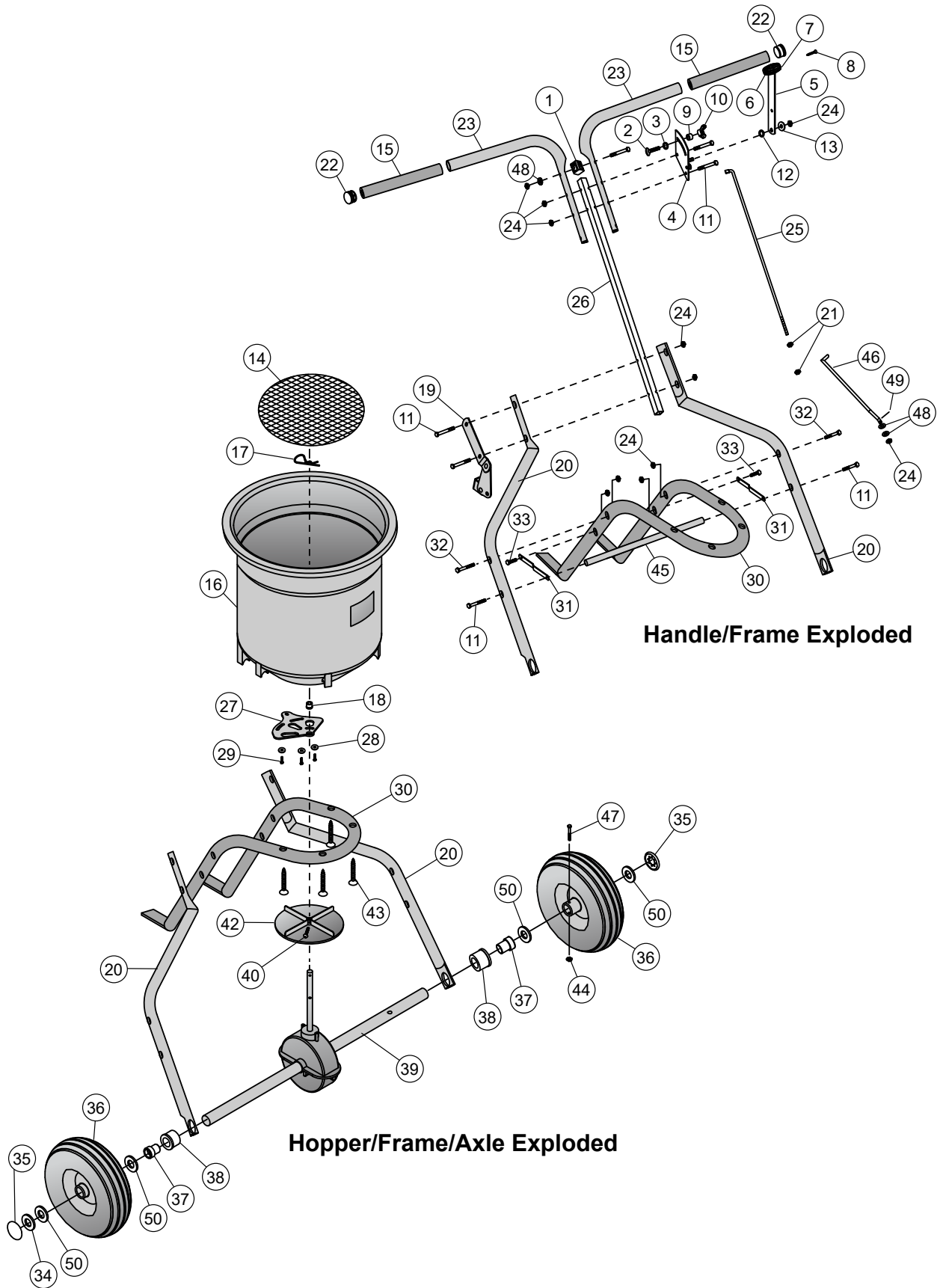
\* Assembly includes Part Numbers: 16, 18, 27, 28, 29

Installation Questions?  
Missing Parts? Replacement Parts?  
**DON'T GO BACK TO THE STORE!**



Please call our  
Customer Service Department:  
Toll Free: 877-728-8224  
or [customerservice@brinly.com](mailto:customerservice@brinly.com)

# PARTS BREAKDOWN



**Handle/Frame Exploded**

**Hopper/Frame/Axle Exploded**

# ASSEMBLY

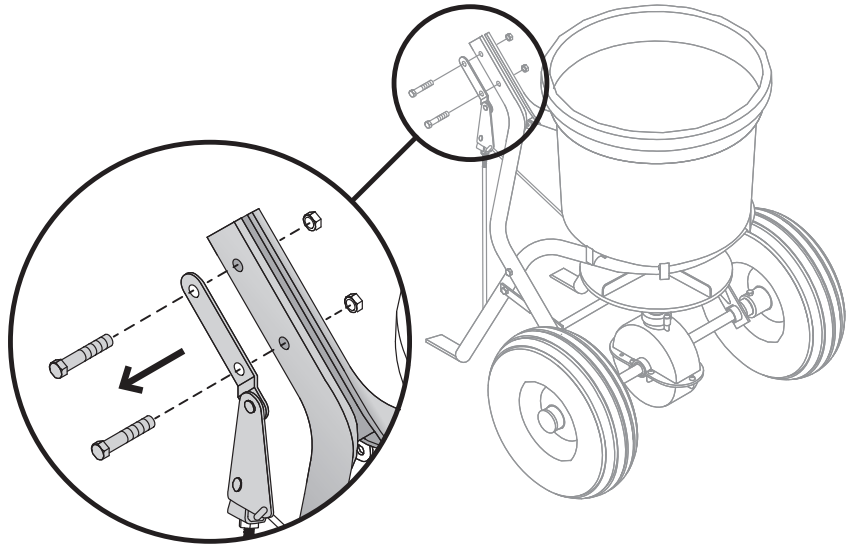
**TOOLS REQUIRED: 2- 10mm Wrenches**

## Step 1

1. Using a wrench and socket, remove two M6 locknuts and M6 x 45mm long bolts to remove pivot and bracket assembly from wheel frame tubes.

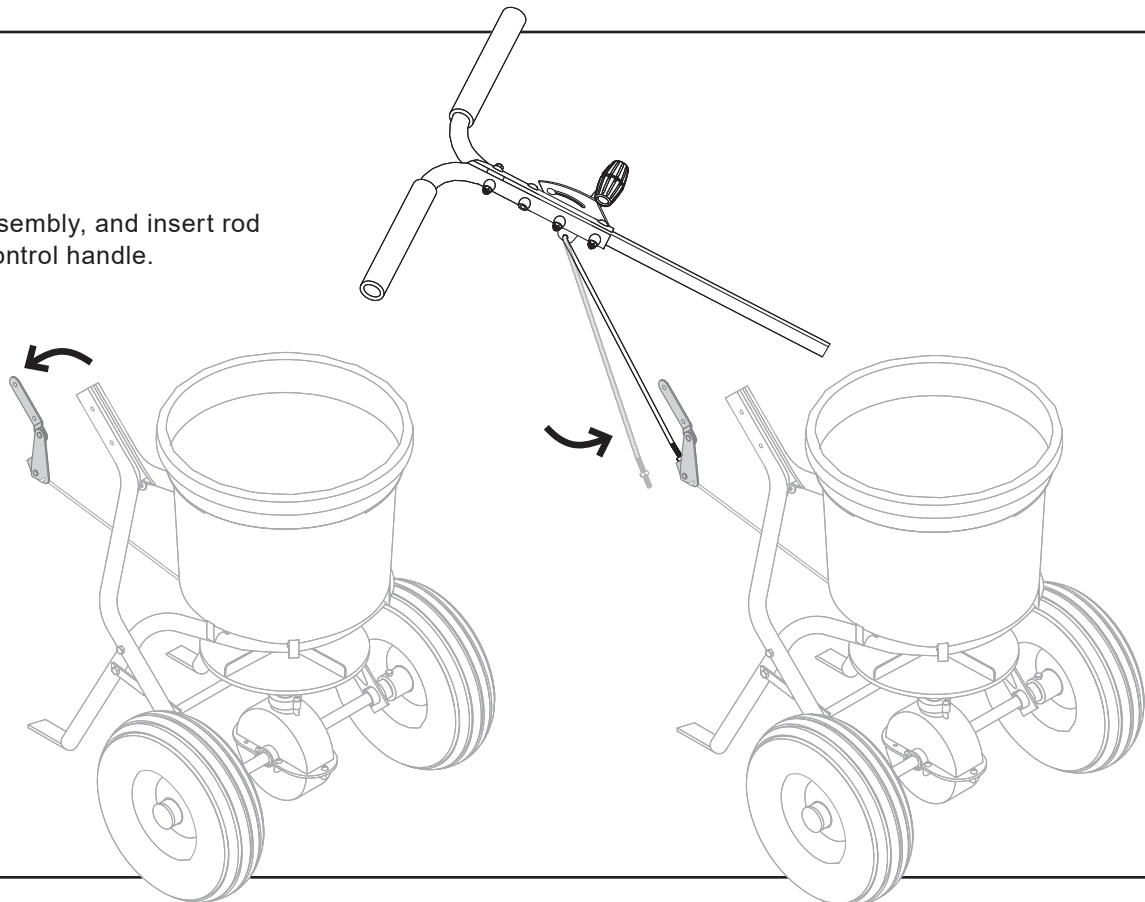
**NOTE:**

*Set bolts and nuts to the side. You will re-install them on Step 3.*



## Step 2

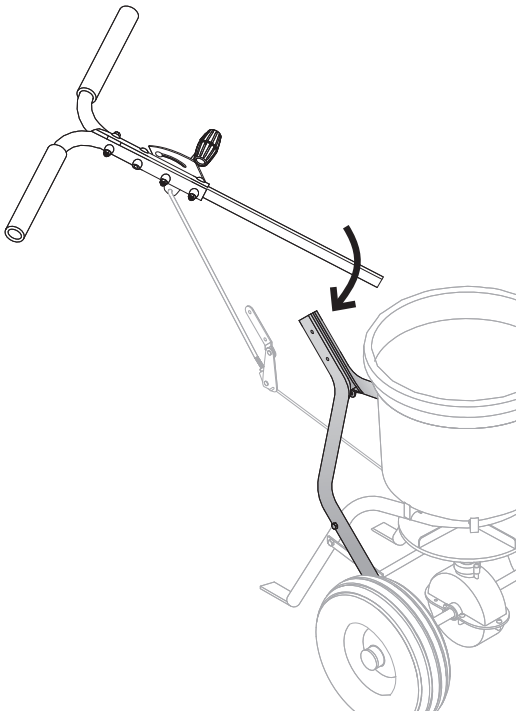
2. Tilt arm assembly, and insert rod into flow control handle.



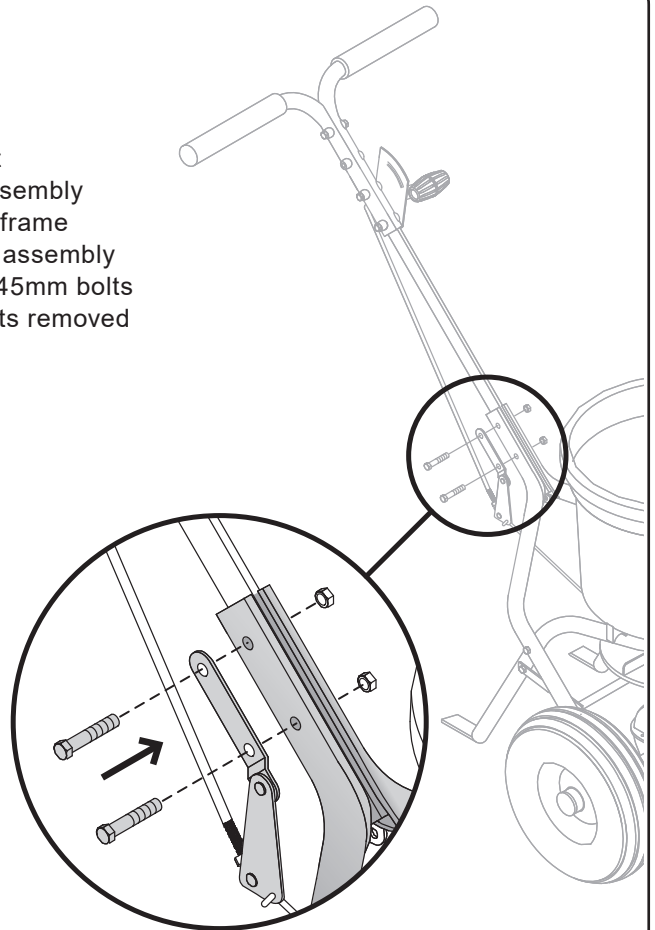
# ASSEMBLY

## Step 3

3. Insert the arm assembly between frame tubes.

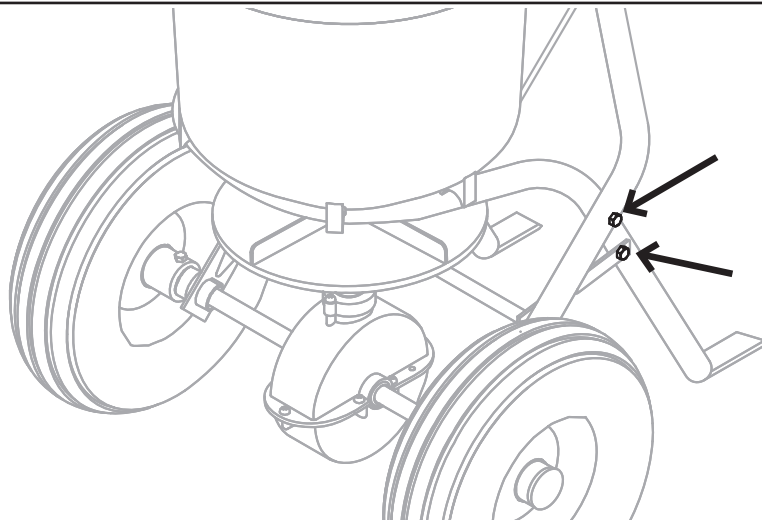


Re-install pivot and bracket assembly through wheel frame tubes and arm assembly with two M6 x 45mm bolts and M6 locknuts removed in Step 1.



## Step 4

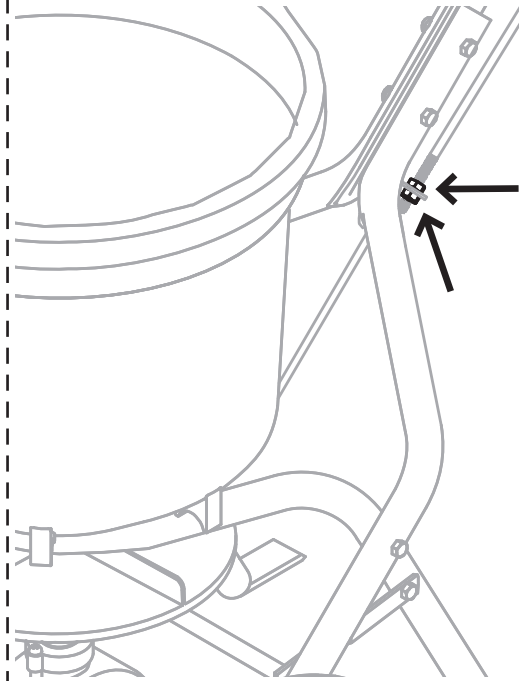
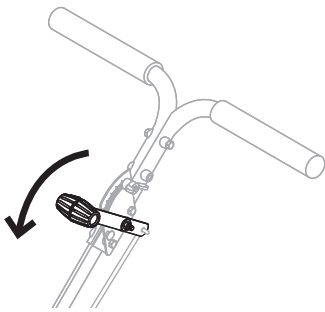
4. Tighten nuts and bolts on both sides of spreader at locations shown.



# ASSEMBLY

## Step 5

5. Push the flow control handle downward to the fully closed position, and close the shut off plate under the hopper.



Hand tighten bottom nut on linkage rod until snug.

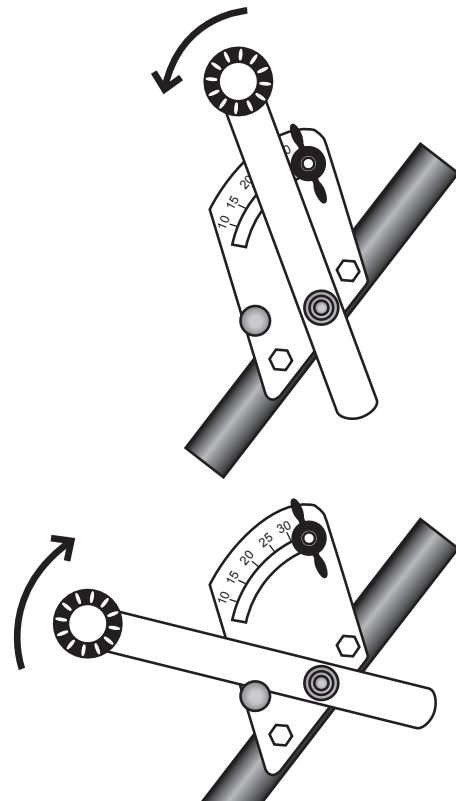
Then, hand tighten the top nut on linkage rod until snug.

## Step 6

6. *NOTE: The edge of the wingnut is the marker, and not the center of wingnut. When the flow control handle is opened fully, the edge of the wingnut should be on the 30 mark.*

Set edge of wingnut on 30 mark and tighten.

Move flow control handle upward and back downward, and verify the shut off plate under hopper opens and closes properly. If necessary, adjust linkage rod nuts and tighten hand tight.





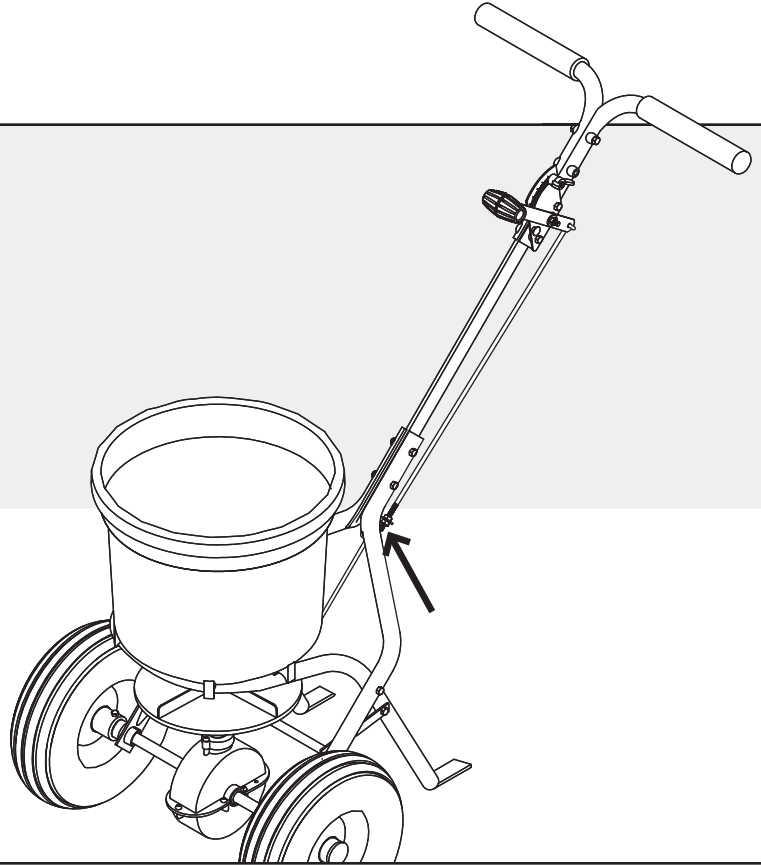
# ASSEMBLY

## Step 7

**! IMPORTANT: AVOID DAMAGE!**  
*Only use a wrench on the LOWER nut.*

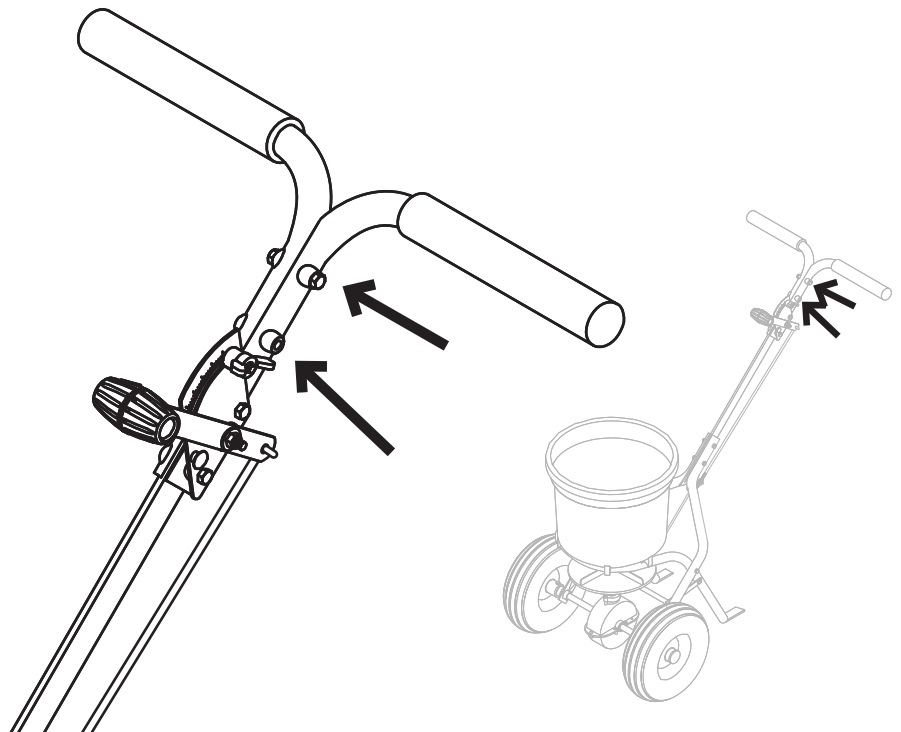
**DO NOT use a wrench on the upper nut.**

7. Once adjustment is complete, tighten lower nut on linkage rod with wrench.



## Step 8

8. Handle can be lowered by removing bolts and nuts and moving handle assembly downward, using upper holes for bolts and nuts.



# ASSEMBLY

## Continue for assembly instruction to attach the deflector.

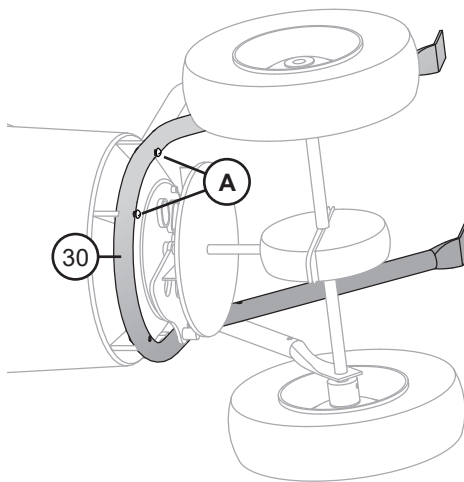
This deflector comes with the P20-500BHDF-A or is an optional accessory available for purchase in our part store (see *additional info on page 17*).

### Step 9

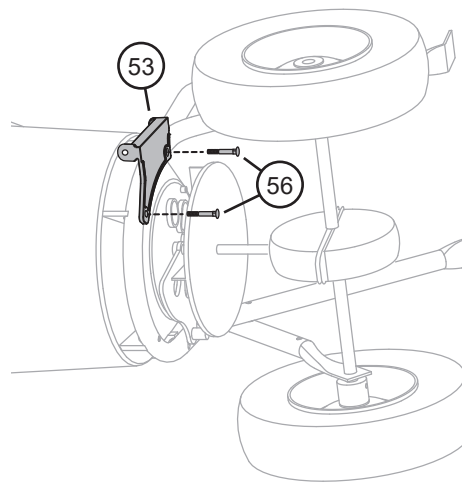
NOTE: Deflector Must Be Installed On The Left Side Of The Hopper.

Gently tip and rotate the spreader, resting it on the right side.

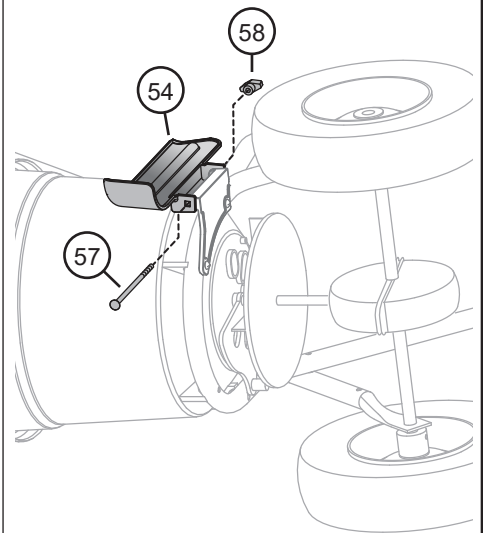
Remove two M6x40 screws (A) from the left side of the hopper frame (30).



Align and attach the deflector mounting plate (53) as illustrated, using the two provided 6mm x 45mm screws (56).



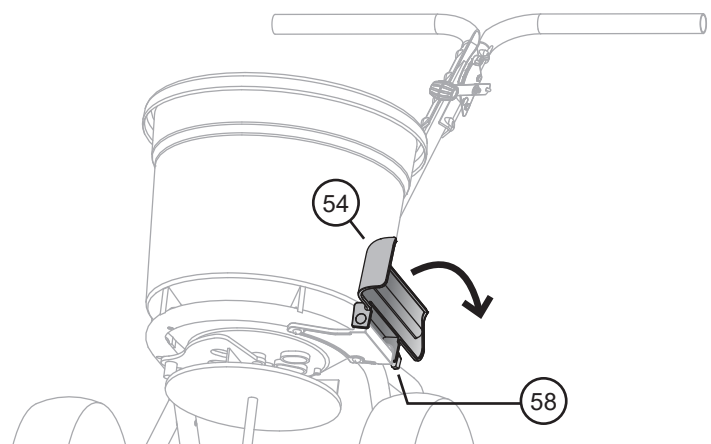
Align the deflector (54) against the deflector bracket as illustrated. Attach with the provided carriage bolt (57) and knob (58).



The deflector (54) will keep material from moving towards left side of hopper.

### TO ENGAGE AND DISENGAGE DEFLECTOR:

Loosen the knob (58) and rotate the deflector up or down. *Re-tighten knob to stay in position, up or down.*



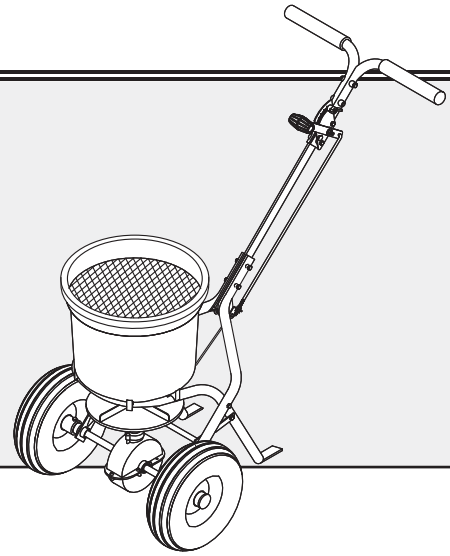
# USE AND CARE

MODELS:

**P20-500BH**

**P20-500BHDF-A**

**USE AND CARE SECTION**



## SPECIFICATIONS

---

Hopper Capacity . . . . . 50 lbs  
Spread Width . . . . . 8'-12'  
Wheel Type . . . . . Pneumatic  
Wheel Size . . . . . 12" x 3"  
Inflation Pressure . . . . . 30 psi

*Tire pressure may be reduced to increase wheel traction or to reduce shock, although it should not be reduced to below 70% of the maximum rated pressure.*

### Dimensions

- Product Length . . . . . 36 in  
- Product Width . . . . . 23 in  
- Product Height . . . . . 38 in

## OPERATING SPEED

---

**Practice walking with the spreader, opening and closing the rate gate at the appropriate times.**

Travel at a constant speed and operate the spreader lever position. Remember: Open the rate gate after the spreader is in motion at operating speed (*about 3 mph, or at a brisk walking pace*).

Close the rate gate while spreader is still at operational speed.

## FLOW CONTROL SETTING INFORMATION

---

The flow control lever operates the control plate. The control lever plate is marked 0-30. The position selected determines the amount of material to be broadcast. The higher the number, the heavier the application of the material. This allows for accurate control of the spreading rate.

The fan speed and the spread width are controlled by the speed at which you operate the spreader. The spread width also depends on the volume/density, and the particle size of the material.

The spread thins or feathers at the outer edges, eliminating sharp, "Edge Of Spread" lines which cause stripes and streaks. Extra coverage can be given under trees and other heavy feeding areas without showing "Edge Of Spread" lines.

Gaps and double overlaps are less likely. Small errors in travel are forgiven and do not show.

# USE AND CARE

## READ BEFORE USING:

Become familiar with the operation of the spreader BEFORE you put material in the hopper.

## FILLING THE SPREADER



**WARNING: AVOID INJURY!**  
Chemicals can be dangerous.  
Avoid injury to operator or bystanders:

- Read chemical container label for handling instructions. A Material Safety Data Sheet (MSDS) should be supplied by the chemical dealer and provides proper safety information.
- Wear proper clothing and safety equipment while handling or applying chemicals.
- Prohibit all smoking, drinking, and eating around chemicals.
- When spreading products containing herbicides, exercise extreme caution with respect to careless spreading and to wind-drift. CONTACT OF SOME PRODUCTS ON SOME PLANTS CAN BE FATAL.

## OPERATING TIPS

- Push flow control lever down towards the hopper to close the rate gate.
- Fill the spreader on a flat, level surface only. Fill on sidewalk, driveway, cardboard, etc. to avoid material loss.
- DO NOT overload with more than the maximum capacity of 50 lbs.
- DO NOT use on windy days.
- When filling hopper with material, always use screen to help break up clumps.
- Keep spinner blade clean. Excess material build-up can cause an uneven spread pattern.
- Keep the impeller level when spreading.

## SPREADING MATERIAL

Determine setting required for the product you are spreading (See Application Rate Chart). If a setting is not found, use a similar size/weight material. Determine a flow control setting on the low side. If the setting proves to be too low, cover the area more than one time. A higher setting can be used when a proven setting is established. Generic Grass Seed and Fertilizer Settings are shown at the end of the list.

*REMEMBER: Published flow control settings are approximate only. The operation of the spreader, the condition of the material (damp or dry or over-pulverized) and weather conditions, are all contributing factors. For these reasons, it is often a good idea to spread the area 2 times - or one-half rate - in cross directions. One-half rate settings are highly recommended under damp and humid conditions.*

## ROTARY AGITATOR

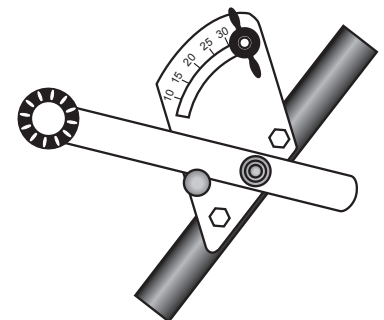
**Use the rotary agitator only if needed.**

*Free-flowing, lump-free materials will not require the agitator. The rotary agitator is easily installed or removed.*

Never leave fertilizer or other material in the hopper. It can draw moisture, form clumps, and cause unnecessary rusting or jamming of controls and other parts. Ice melt residue is especially corrosive. Clean and oil spreader immediately after each use.

**NOTE:**

*When determining required setting, the edge of the wingnut is the marker, and not the center of wingnut. When the flow control handle is opened fully, the edge of the wingnut should be on the 30 mark.*

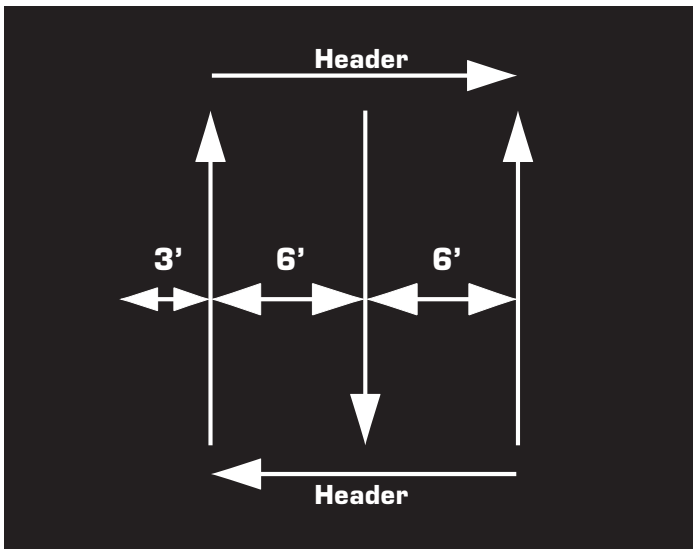


**IMPORTANT: REMEMBER TO START AND STOP THE SPREAD WHILE MOVING.** Do not open the flow control lever while stopped or material will simply run onto the ground without being spread.

# USE AND CARE

## HEADER STRIPS

Spread header strips at each end of area. This allows a turn-around area to align spreader for next pass. Then start on the edge of the area to be spread. Spread until you hit the header area. Turn the flow control handle to off while still moving. Make your turn and start down the next row. Turn the flow control handle back on as you hit the edge of your header area. Turn the flow control handle on while moving.



## SPREADING ICE MELT

- Remove screen from hopper to prevent damage.
- Start with flow control setting at 20 and make a trial pass. Adjust as needed to increase or decrease coverage.
- When complete be sure to thoroughly clean spreader as ice melt can be highly corrosive.
- Re-install screen when complete.

## CALIBRATING SHUT OFF PLATE

See Steps 6 and 7 on pages 8 - 9.

## MAINTENANCE



- To ensure years of trouble-free service, clean the spreader thoroughly after each use. Move flow control handle as you rinse to avoid build up of material.
- For rust on frame parts, sand lightly and paint with enamel.
- Periodically lubricate all bearing surfaces.
- Never allow material to remain in hopper for extended periods of time.
- Periodically check all fasteners for tightness.

## TROUBLESHOOTING

### Flow control handle is hard to actuate or will not move:

Check for buildup of material between bottom of hopper and shut off plate. Clean as needed.

# APPLICATION RATE CHART

Media	lbs / 1000 square feet	Flow Control Setting at 3MPH
-------	------------------------	------------------------------

## All American

All Purpose Fertilizer 10-10-10.	10	16.0
----------------------------------	----	------

## Bayer

Season Long Grub Control	3.8	15.0
	2.9	13.5
Complete Insect Killer	3	13.5
	2	12.0
Power Force Multi-Insect Killer	3	12.0
	2	11.0
Grub Control	3	12.0
	2	12.0
Lawn Fertilizer Plus Weed Control II 30-3-4	3.2	13.5
Season Long Grub Control	3.8	13.5
Season Long Grub Control	2.9	12.0
Lawn Starter Fertilizer 20-27-5	3.6	13.5
Lawn Fertilizer Plus Crabgrass Preventer 30-3-4	3.2	13.5

## Eliminator

Ant, Flea, and Tick Killer Granules	3	13.5
	2.5	12.0
	2	12.0
5% Diazinon Insect Killer Granules	2	13.5

## Howard Johnsons

All-purpose Fertilizer 8-8-8	7	15.0
All-purpose Fertilizer 10-10-10	7	15.0
All-purpose Fertilizer 12-12-12	7	15.0
Ironite 1-0-0	5	13.5

## Klay

Soft Pelletized Gypsum Soil Conditioner	4	13.5
	3	12.0
	2	12.0

## Lesco

46-0-0	2.2	15.5
39-0-0	2.6	15.5
34-3-11	2.9	16.0
32-3-8	3.1	16.0

Media	lbs / 1000 square feet	Flow Control Setting at 3MPH
-------	------------------------	------------------------------

## Lesco, continued

30-3-7	3.3	16.0
28-5-12	3.6	16.0
24-5-11	4.2	16.0
19-19-19	5.3	16.0
18-24-12	4.2	15.0
24-2-11	4.2	15.0
26-2-11	3.8	15.5
24-0-11	4.2	16.0
18-0-18 Fall/Winter	4.2	16.0
17-17-17 All Purpose	5.9	16.0
16-4-8	6.3	16.0
15-5-10	6.7	16.0
15-0-15	6.7	16.0
Atrazine +17-2-11	6.0	16.0
Dimension .015% +19-3-6	3.5	16.0
Mach 2™ 1.33% +24-5-11	3.4	16.0
Merit® 0.2% +24-5-11	3.5	15.5
Momentum® + Fertilizer	3.6	15.0
PCNB 12.5% 10-0-20M 75%PPSCU	4.0	15.5
PRE-M® 1.5% + Fertilizer	2.3	15.0
PRE-M® 0.86% + Fertilizer	4.0	16.0
Talstar® 0.069% + Fertilizer	3.3	16.0
Weed & Feed +18-0-9	4.0	15.5
Weed & Feed +18-2-9	4.0	15.5
Dylox® 6.2*	3.0	16.0

## Master Turf

Ultimate Tall Fescue Blend	8	17.0
	4	15.0
Milogranite 6-2-0	8	17.0
	16	20.0

## Miracle-Gro

Lawn Fertilizer plus Weed Control 28-3-3	3.2	13.5
Starter Lawn Fertilizer 20-27-5	3.6	13.5
Starter Lawn Fertilizer 29-3-4	3.1	12.0

# APPLICATION RATE CHART

Media	lbs / 1000 square feet	Flow Control Setting at 3MPH
-------	------------------------	------------------------------

## Ortho

Lawn Insect Killer Granules	9.6	16.0
	4.8	13.5
	2.4	11.5
	1.2	11.5
Max Insect Killer for Lawns	4	13.5
	2	12.0
	1	11.5

## Parkers

Super Soilife Lawn & Garden Fertilizer 10-10-10	10	16.0
Super Soilife Lawn & Garden Fertilizer 16-4-8	6.5	13.5

## Pennington

Lawn Starter Fertilizer 18-24-6	3.6	15.0
Master Turf High Traffic Lawn Seed Mixture	10	18.0
	5	16.0
Master Turf Shady Lawn Seed Mixture	8	18.0
	4	16.0
Master Turf Sun & Shade Lawn Seed Mixture	10	18.0
	5	16.0
Lawn Food 27-4-6	3.6	16.5
Centipede Food 18-0-18	4.0	17.0
St. Augustine, Bahia & Bermuda Food 26-6-9	4.0	18.0
Fall Lawn Food 10-5-15	4.0	15.5
Crabgrass Preventer plus Fertilizer 5-10-25	4.0	16.5
Lawn Starter 18-24-6	3.6	16.5
Weed & Feed w/Atrazine 25-4-6	4.0	17.0
Fescue Food 28-5-10	4.0	16.5
Weed & Feed w/Triamine 25-4-6	3.6	16.5

## Real-Kill

Multi-Purpose Lawn and Garden Insect Killer	2	12.0
	2.5	12.0

## Rebel's

Supreme Blend Grass Seed for Sun & Shade	10	18.0
	5	16.0

Media	lbs / 1000 square feet	Flow Control Setting at 3MPH
-------	------------------------	------------------------------

## Ringer

Lawn Restore 10-2-6	10	18.0
---------------------	----	------

## Sam's Choice

Crabgrass Preventer 30-3-4	12.3	19.0
	8.1	16.0
	6	16.0
	5.4	15.0
Insect Control Plus Fertilizer 28-4-6	3	12.0
Lawn Food 29-3-4	3.2	13.5
Starter Fertilizer 20-27-5	6	16.0
	3.6	13.5

## Scotts

Classic Grass Seed Fall Grass Seed Mix	4	16.0
	2	13.5
Grubex	2.3	12.0
Grubex Season Long Grub Control	3.1	13.5
	2.3	13.5
Lawn Fungus Control	1.4	12.0
	2.7	13.5
Pure Premium Kentucky Bluegrass Mix	2.2	13.5
	1.1	12.0
Pure Premium Sun & Shade Grass Seed Mixture	2.5	13.5
	1.25	12.0
Starter Fertilizer 20-27-5	3.6	13.5
	5.9	13.5
Turf Builder 28-3-8	2.7	13.5
Turf Builder Lawn Fertilizer 29-3-4	3.1	12.0
Turf Builder with Summer Guard	2.7	13.5
Turf Builder Plus Weed Control	2.9	13.5
Winterizer 22-4-1	3.3	11.5
Turf Builder + Halt 25-3-3	3.6	15.0
Turf Builder Plus 2 Weed Control & Lawn Fertilizer 26-3-3	3.5	14.5
Turf Builder Lawn Fertilizer New Concentrated Nuggets 34-4-4	2.7	13.5
Starter Fertilizer 17-23-6	4.0	15.0
Lawn Disease Preventer	2.7	15.5
Lawn Weed Control 25-4-6	1.0	11.5
Turf Builder 28-3-3	3.2	17.0
	5.0	20.0
Weed & Feed 33-3-3	2.5	13.5

# APPLICATION RATE CHART

Media	lbs / 1000 square feet	Flow Control Setting at 3MPH
<b>Scotts Pro Turf</b>		
Fungicide VII 8-2-1	25.0	25.0
	12.7	27.0
	13.4	13.0
Turf Builder Lawn Fertilizer 29-3-4	8.2	15.5
Turf Starter w/ Poly S 16-26-12	4.1	18.0
Fertilizer + Fungicide VIII 23-3-3	1.6	13.5
HD Fertilizer + Iron 29-3-3	3.2	14.5
HD Fairway Fertilizer 32-3-10	3.1	16.5
Fertilizer with Minors 26-4-13	3.9	14.5
Hi K Greens Fertilizer 15-0-30	3.4	13.5
HD Starter (Small Granule) 19-26-5	3.5	14.5
Hi K Fertilizer 15-0-30	3.4	15.5
Moss Control 16-0-0	3.9	13.0
Iron-S 16-0-0	1.7	13.5
Super Greens Fertilizer 19-0-17	4.6	14.5
Turf Fertilizer + 2% Fe w/ Poly S 25-3-10	3.3	16.5
ProTurf Fertilizer w/ Poly S 34-3-6	2.8	16.5
NPK Turf Fert. w/ Poly S 21-3-20	4.6	16.5
Fungicide X	4.9	15.5
FF-II 14-3-3	4.7	13.5
Systemic Fungicide	2.6	15.0
Fertilizer Plus Preemergent Weed Control 22-4-4	3.3	18.0
	3.8	18.5
	4.5	19.5
	4.9	20.0
Turf Fertilizer Plus Preemergent Weed Control 22-0-6	3.8	18.5
	4.2	19.5
	4.9	20.0
	5.8	21.0
	6.1	22.0
	8.7	27.0
	9.6	30.0

Media	lbs / 1000 square feet	Flow Control Setting at 3MPH
<b>Scotts Four Season Program</b>		
Step 1 - Crabgrass Preventer plus Fertilizer	3	15
Step 2 - Weed Control plus Fertilizer	2.5	15
Step 3 - Insect Control plus Fertilizer	3.1	16.5
Step 4 - Lawn Fertilizer	2.8	15.5
<b>Sevin</b>		
Lawn Insect Granules	4.6	13.5
	2.33	13.5
	2.25	13.5
<b>Spectracide</b>		
Grub Stop	3	13.5
Triazicide Insect Killer Granules	3	11.5
<b>Sta-Green</b>		
Lawn Fertilizer 29-2-5	3.6	13.5
Lawn Weed Control	2	12.0
200 Plus Weed & Feed 28-3-3	3.2	13.5
Starter Fertilizer 18-24-10	3.6	13.5
Weed & Feed 28-2-4	3.2	13.5
Sun & Shade Grass Seed Mixture	10	18.0
	5	16.0
<b>Vigoro</b>		
Insect Control Plus Fertilizer	3	11.5
Starter Fertilizer	3.6	13.5
Turf Fertilizer 29-3-4	3.2	13.5
Ultra Turf Winterizer 22-3-14	3	12.0
Weed and Feed	3.2	13.5
<b>Wal-Mart</b>		
Gardens Kentucky Bluegrass Grass Seed	4	16.0
	2	13.5
Gardens Kentucky 31 Tall Fescue	8	18.0
	4	16.0
Weed & Feed 28-3-3	3.2	13.5



# APPLICATION RATE CHART

Media	lbs / 1000 square feet	Flow Control Setting at 3MPH
-------	------------------------	------------------------------

Generic Fertilizers (if you don't have any other method)	1	12
	2	13
	3	14
	4	15
	5	17
	6	18
	7	19
	8	20
	9	22
	10	24

Generic Grass Seed (if you don't have any other method)	2	18
	3	20
	4	22
	5	24

## SERVICE



### QUALITY CONTINUES WITH QUALITY SERVICE

If you have installation questions, are missing parts or need replacement parts, don't go back to the store! Please find your product serial number and model number, then contact our Customer Service department:



In North America and Canada call Toll-Free: **877-728-8224**



Chat online: **www.brinly.com**



Email: **customerservice@brinly.com**

### ONLINE: BRINLY.COM

Additional info and videos are available on our website. Please visit the URL above OR scan one of these QR codes:

P20-500BH

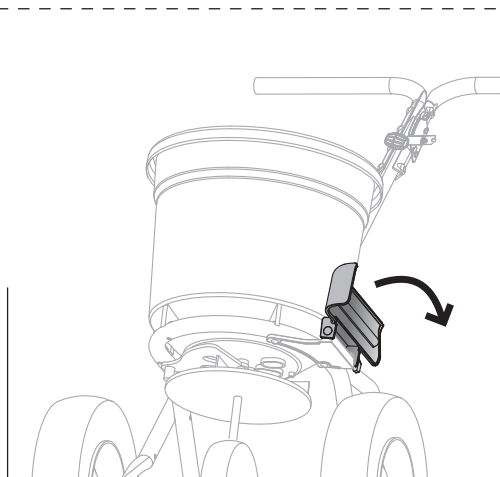


## OPTIONAL ACCESSORY

### DEFLECTOR KIT 1007520

Make sure that product is spread accurately and efficiently, reducing wasted distribution and protecting sections of your lawn from salt spread in the winter.

The deflector kit easily flips up and out of the way when not in use.



*NOTE: Additional accessories are also available in our Parts Store online: [shop.brinly.com](http://shop.brinly.com)*



MANUFACTURER'S LIMITED WARRANTY  
**SPREADERS**

*The limited warranty set forth below is given by Brinly-Hardy Company with respect to new merchandise purchased and used in the United States (its possessions and territories) and Canada.*

Brinly-Hardy Company warrants the products listed below against defects in material and workmanship, and will at its option, repair or replace, free of charge, any part found to be defective in materials or workmanship. This limited warranty shall only apply if this product has been assembled, operated, and maintained in accordance with the Operator's manual furnished with the product, and has not been subject to misuse, abuse, commercial use, neglect, accident, improper maintenance, alteration, vandalism, theft, fire, water, or damage because of other peril or natural disaster.

Parts found to be defective within the warranty period will be replaced at our expense. Our obligation under this warranty is expressly limited to the replacement or repair, at our option, of parts found to be defective in material and workmanship.

**HOW TO OBTAIN SERVICE:** Warranty parts replacements are available, only with proof of purchase, through our Customer Service Department. Call 877-728-8224.

**This limited warranty does not provide coverage in the following cases:**

- a. Routine maintenance items such as lubricants & filters.
- b. Normal deterioration of exterior finish due to use or exposure.
- c. Transportation and/or labor charges.
- d. The warranty does not include commercial and/or rental use.

**No implied warranty, including any implied warranty of merchantability of fitness for a particular purpose, applies after the applicable period of express written warranty above as to the part as identified below. No other express warranty whether written or oral, except as mentioned above, given by any person or entity, including a dealer or retailer, with respect to any product, shall bind Brinly-Hardy Co. During the period of the warranty, the exclusive remedy is repair or replacement of the product as set forth above.**

**The provisions as set forth in this warranty provide the sole and exclusive remedy arising from the sale. Brinly-Hardy Co. shall not be liable for incidental or consequential loss or damage including, without limitation, expenses incurred for substitute or replacement lawn care services or for rental expenses to temporarily replace a warranted product.**

Some states do not allow the exclusion or limitation of incidental or consequential damages, or limitations on how long an implied warranty lasts, so the above exclusions or limitations may not apply to you.

During the warranty period, the exclusive remedy is replacement of the part. In no event shall recovery of any kind be greater than the amount of the purchase price of the product sold. Alteration of safety features of the product shall void this warranty. You assume the risk and liability for loss, damage, or injury to you and your property and/or to others and their property arising out of the misuse or inability

to use this product. **NOTE:** *This limited warranty shall not extend to anyone other than the original purchaser or to the person for whom it was purchased as a gift.*

This limited warranty lasts as long you own your product purchased from an authorized seller. **Coverage terminates once you sell or otherwise transfer the product.**

This limited warranty does not cover any purchaser other than the original purchaser of the product, nor does it cover any product purchased from an unauthorized third-party. If you are not the original purchaser of this product, your product is not covered by our limited warranty and you take the product "AS IS" and "with all faults."

We may require proof of purchase from you demonstrating that you are the original purchaser of the product, purchased the product from an authorized dealer, and are eligible to make a valid claim under this limited warranty.

**How state law relates to this warranty:** This limited warranty gives you specific legal rights, and you may also have other rights which vary from state to state.

**IMPORTANT:**

The Warranty period stated below begins with the proof of purchase. Without the proof of purchase, the Warranty period begins from the date of manufacture determined by the serial number manufacturing date. All parts replaced under warranty will be considered as part of the original product, and any warranty on the replaced parts will expire coincident with the original product warranty.

**WARRANTY PERIOD:**

*See applicable parts listed below.*

**Standard / Residential Use:**

Steel Frame & Steel Parts . . . . .	2 years
Hopper . . . . .	2 years
Tires / Wheels . . . . .	90 days
Drive: Gears . . . . .	90 days

*All other normal wear parts or component failures will be covered on this product for a period of 90 days.*

*If this equipment is being used in a commercial application and / or for multiple properties, the warranty is 90 days after purchase for all parts.*