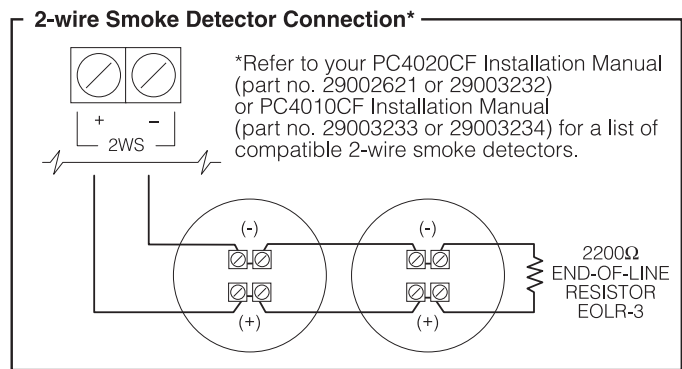
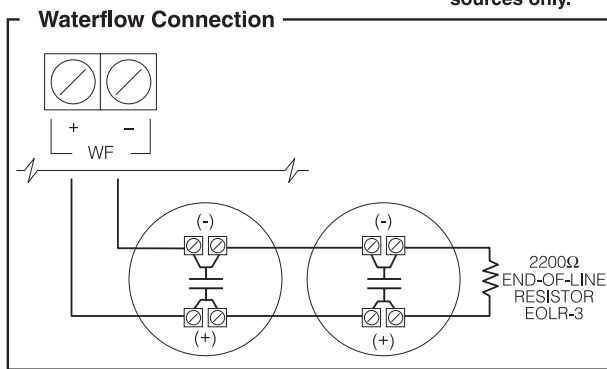
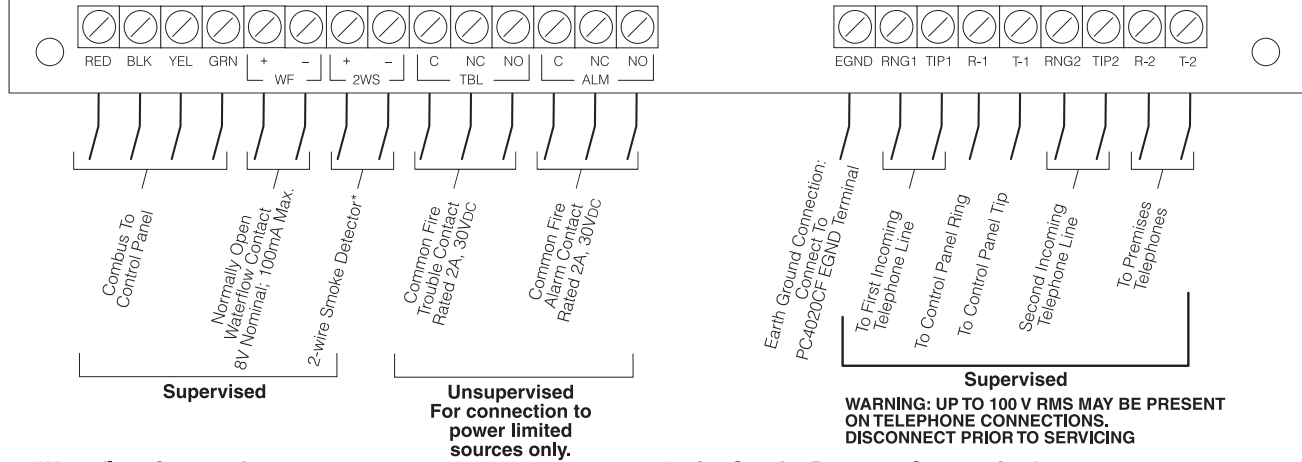


WARNING

Do Not Route Any Wiring Over Circuit Boards.
Maintain At Least 1" (25.4mm) Separations.

All connections to the PC4701 are power limited.
Mount PC4701 on the right or left side-wall of the PC4010CF/PC4020CF cabinet



1. Introduction

The PC4701 is a fire expansion module for use with PC4010CF/PC4020CF Maxsys security systems. One module may be installed per system.

NOTE: The PC4701 cannot be used on a Maxsys system if an Escort4580 is also connected.

2. Specifications

- Connects to control panel via 4-wire Combust
- Current Draw: 40 mA (from Combust)
- Class B / Style B 2-Wire Smoke Detector Supervision
 - Operating Voltage Range: 8.9-12.0 V_{DC}
 - Maximum Alarm Current: 80mA
 - Maximum Ripple: 0.5 VP-P
 - Compatibility Identifier: FM1
 - Maximum line resistance: 50Ω
- Class B / Style B Waterflow Supervision
- Supervised Dual Telephone Lines
- Service Type: Automatic, Manual, Sprinkler Supervisory, Waterflow
- Signaling Type: Non-Coded

3. Installing the PC4701

3.1 Unpacking

The PC4701 package includes the following parts:

- One PC4701 circuit board
- 2 listed end-of-line resistors (2200 ohms)
- Four plastic stand-offs

3.2 Mounting

Install the PC4701 on either side-wall of the PC4010CF/PC4020CF cabinet, mounted in a dry, secure location.

Perform the following steps to mount the unit:

1. Press the four plastic stand-offs through the mounting holes on the side wall of the cabinet.
2. Secure the cabinet to the wall in the desired location. Use appropriate wall anchors when securing the cabinet to drywall, plaster, concrete, brick or other surfaces.
3. Press the circuit board into the plastic stand-offs to secure the module to the cabinet.

Once the unit is mounted, complete the wiring.

3.3 Wiring

Before beginning to wire the unit, ensure that all power (AC transformer and battery) is disconnected from the control panel.

Perform the following steps to complete wiring:

1. Connect the four Combust wires to the PC4701. Connect the red, black, yellow and green Combust wires to the RED, BLK, YEL and GRN terminals, respectively.
2. Complete all other wiring according to the wiring diagrams above.

Common Fire Trouble Contact

If the Common Fire Trouble Contact is connected, the output will activate when any of the following troubles occur:

- Fire Zone Trouble
- Any Bell Trouble
- Any AC Trouble
- Any Battery Trouble
- Ground Fault Trouble
- Communication Troubles

The output will deactivate when all trouble conditions are restored. Refer to the PC4010/PC4020CF Installation Guide for more information on these trouble conditions.

Common Fire Alarm Contact

If the Common Fire Alarm Contact is connected, the output will activate when an alarm occurs on any fire zone. The output will deactivate when all fire zones have been successfully reset.

Telephone Line Switching

When the PC4701 detects a TLM trouble on either telephone line, it will automatically use the other telephone line if a communication needs to be sent. If there are no TLM troubles, the PC4701 will use telephone line 1, leaving telephone line 2 available for the premises telephones.

3.4 Applying Power

After all wiring is completed, apply power to the control panel. Connect the battery leads to the battery, then connect the AC transformer. For more information on control panel power specifications, see the control panel Installation Manual.

NOTE: Do not connect the power until all wiring is complete.

4. Enrolling the Module

Once all wiring is complete, the module must be enrolled on the system. To enroll the module, perform the following:

1. Enter installer's programming by pressing [*] [8] [Installer's Code].
2. Scroll to "Module Hardware" and press the [*] key.
3. Scroll to "Enroll Module" and press the [*] key.
4. Scroll through the different modules until "PC4701 Fire" is displayed. Press the [*] key. After this is done, the keypad displays the module number and confirms enrollment (e.g. "PC4701 Fire Mod 01 Enrolled").

Please refer to the System Installation Manual for information on limitations regarding product use and function and information on the limitations as to liability of the manufacturer.

