

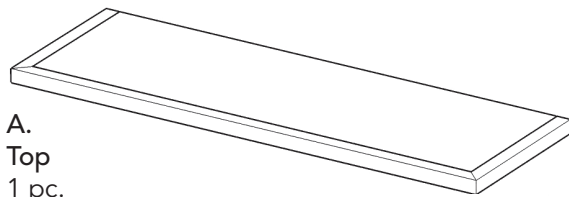
IMPORTANT

Carefully remove all the parts from the carton and place them individually on a soft cloth to prevent scratches or other damage.

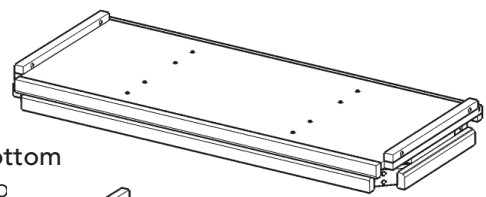
Carefully and strictly follow these assembly instructions to ensure a completed product as designed.

Do not use power tools above 8 volts to assemble.

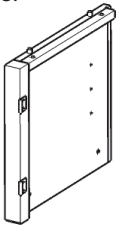
Part List



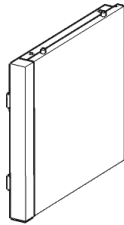
A.
Top
1 pc.



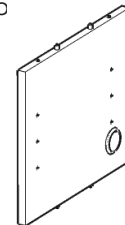
B.
Bottom
1 p



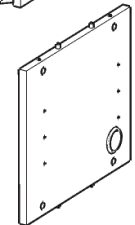
C.
Side Panel
1 pc.



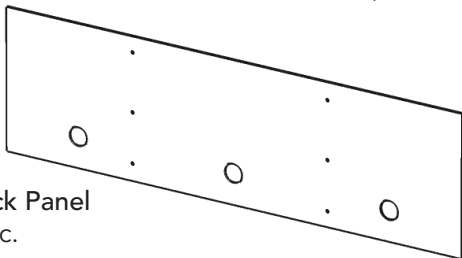
D.
Side Panel
1 pc.



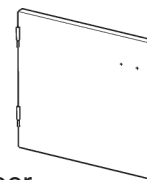
E.
Middle Panel
1 pc.



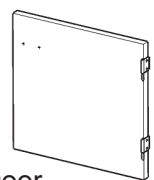
F.
Middle Panel
1 pc.



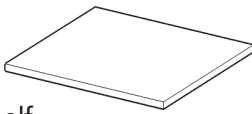
G.
Back Panel
1 pc.



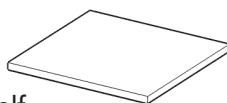
H.
Door
1 pc.



I.
Door
1 pc.



J.
Shelf
1 pc.



K.
Shelf
2 pcs.

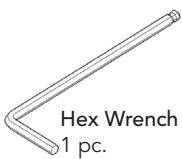


L.
Foot
4 pcs.

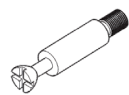


M.
Support
1 pc.

Hardware List



Hex Wrench
1 pc.



Cam Lock Screw
8 pcs. (+1 extra)



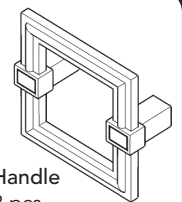
M3.5x15
Washer Screw
6 pcs. (+1 extra)



M6x40
Head Cap Bolt (long)
8 pcs. (+1 extra)



M6x30
Head Cap Bolt
8 pcs. (+1 extra)



Handle
2 pcs.



Small Hex Wrench
1 pc.



Cam Lock
8 pcs. (+2 extra)



Flat Washer
16 pcs. (+1 extra)



Spring Washer
16 pcs. (+1 extra)



Adjustable Pin
12 pcs. (+1 extra)



M4x25
Machine Screw
4 pcs.

Tool(s) required for assembly: Phillips screwdriver, Level, Drill (8 volts or less), 3/8" Drill Bit

Assembly Instructions 2/5

IMPORTANT

- Use a soft cloth between these parts and the floor.
- Do not use power tools above 8 volts to assemble.
- Do not tighten all the bolts until each part is properly assembled.
- The unit must be level to work properly. Use the included adjustable levelers to level.
- Keep Hex Wrench as the bolts may need to be tightened in the future.

STEP 1

Place Top (A) and Bottom (B) on a soft cloth.

Insert Cam Lock Screws into pre-drilled holes in Top (A) and Bottom (B), then tighten. (See Figure 1)

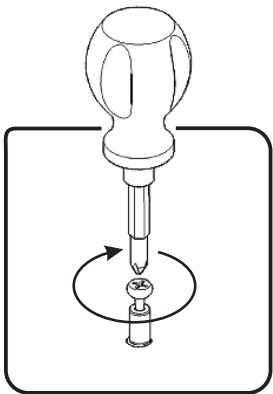
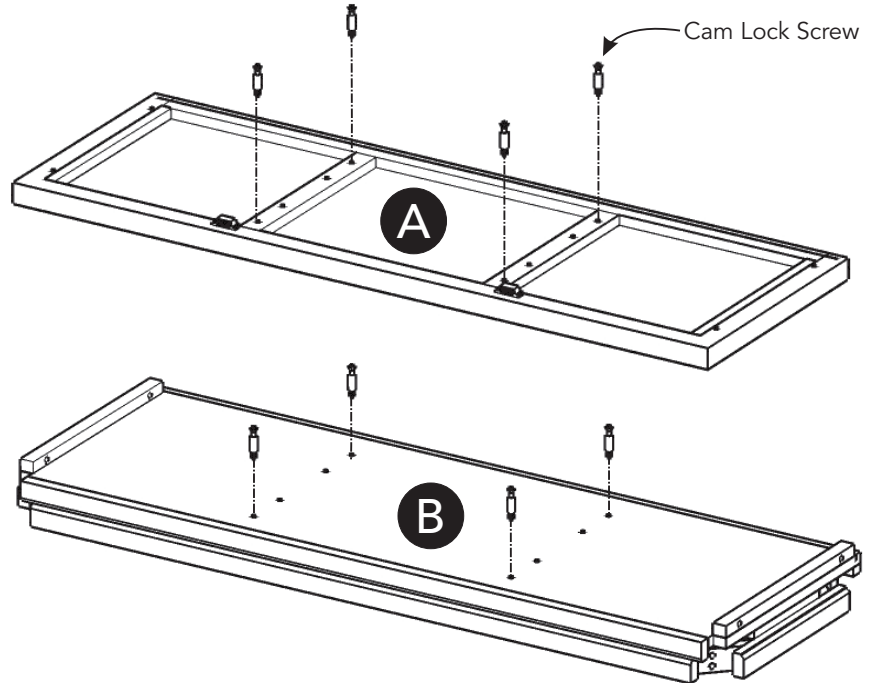


Figure 1

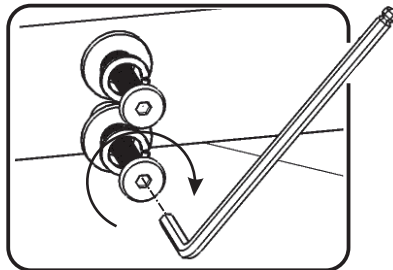


Figure 2

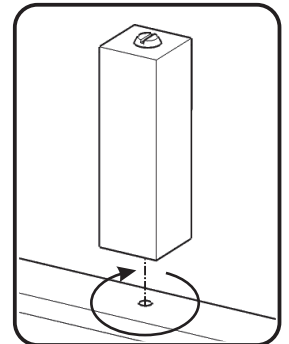
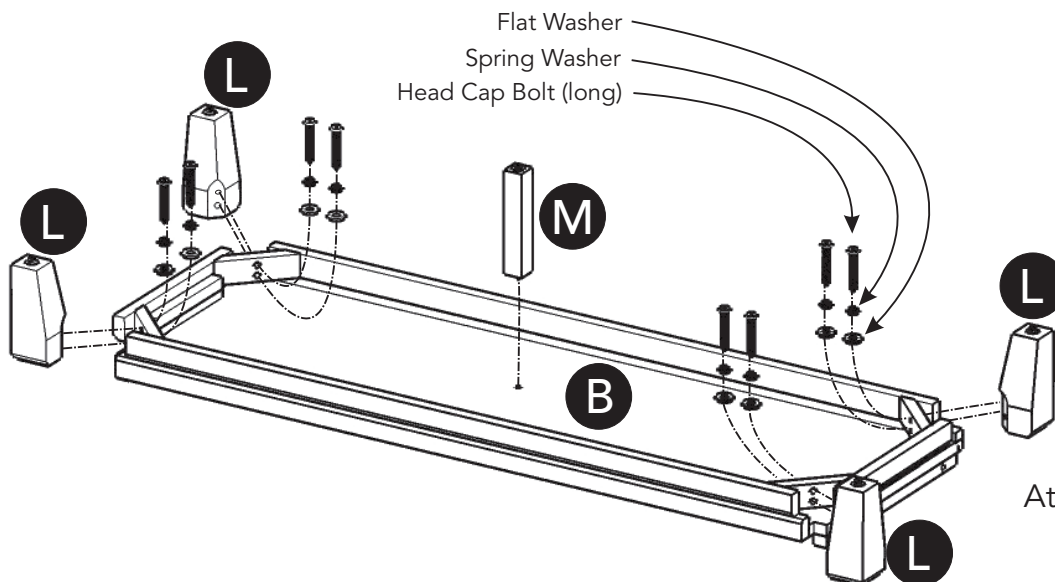


Figure 3



STEP 2

Attach Feet (L) to Bottom (B) with Flat Washers, Spring Washers and Head Cap Bolts (long). (See Figure 2)

Attach Support (M) to unit. (See Figure 3)

Assembly Instructions 3/5

STEP 3

Turn unit over to its' upright position.

Attach Side Panels (C) and (D) to unit with Flat Washers, Spring Washers and Head Cap Bolts. (See Figure 4)

Slide Back Panel (G) into position.

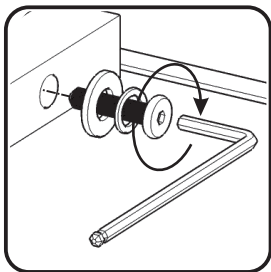
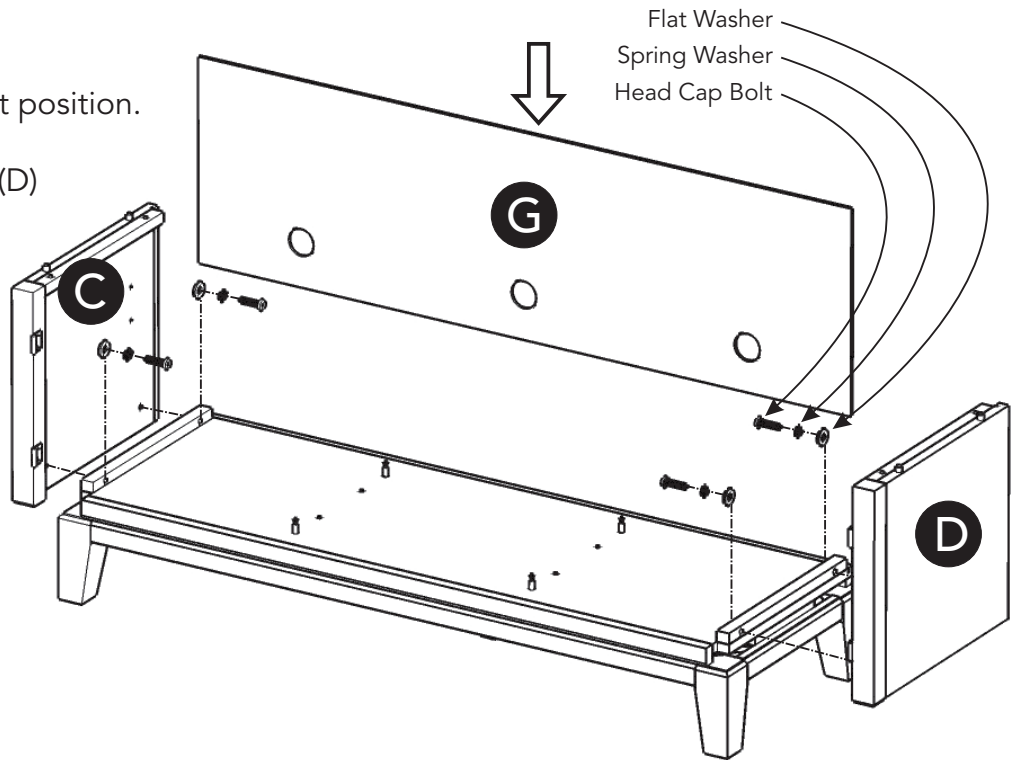


Figure 4



STEP 4

Attach Middle Panels (E) and (F) to unit with Cam Locks. (See Figure 5)

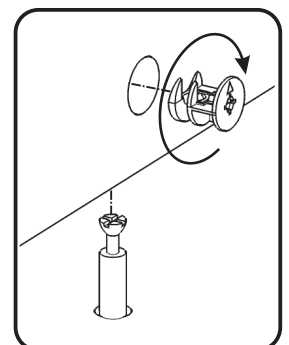
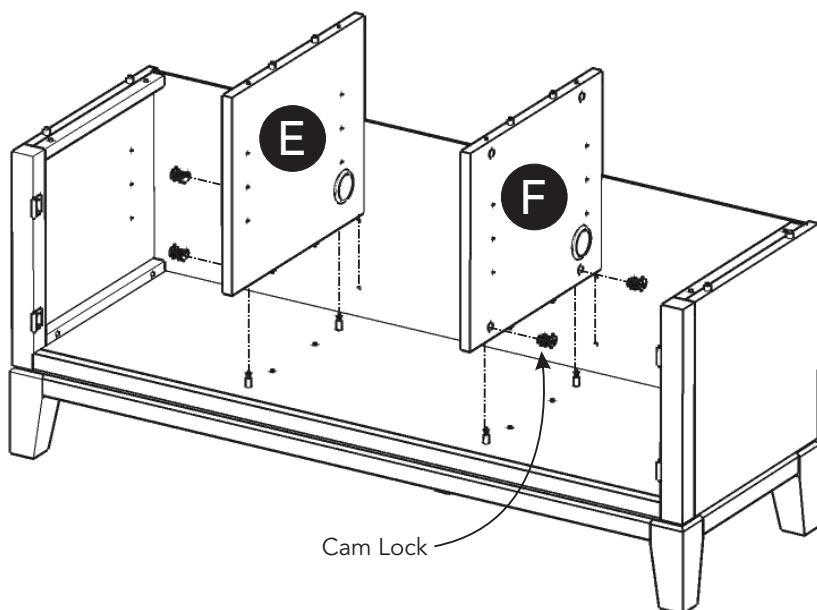


Figure 5

Assembly Instructions 4/5

STEP 5

Attach Top (A) to unit with Flat Washers, Spring Washers, Head Cap Bolts and Cam Locks.

Insert Washer Screws into pre-drilled holes in unit, then tighten.

Attach Doors (H) and (I) to unit by sliding door hinges into side panel hinges. (See Figure 6)

Attach Handles to Doors (H) and (I) with Machine Screws. (See Figure 7)

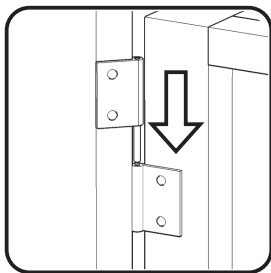
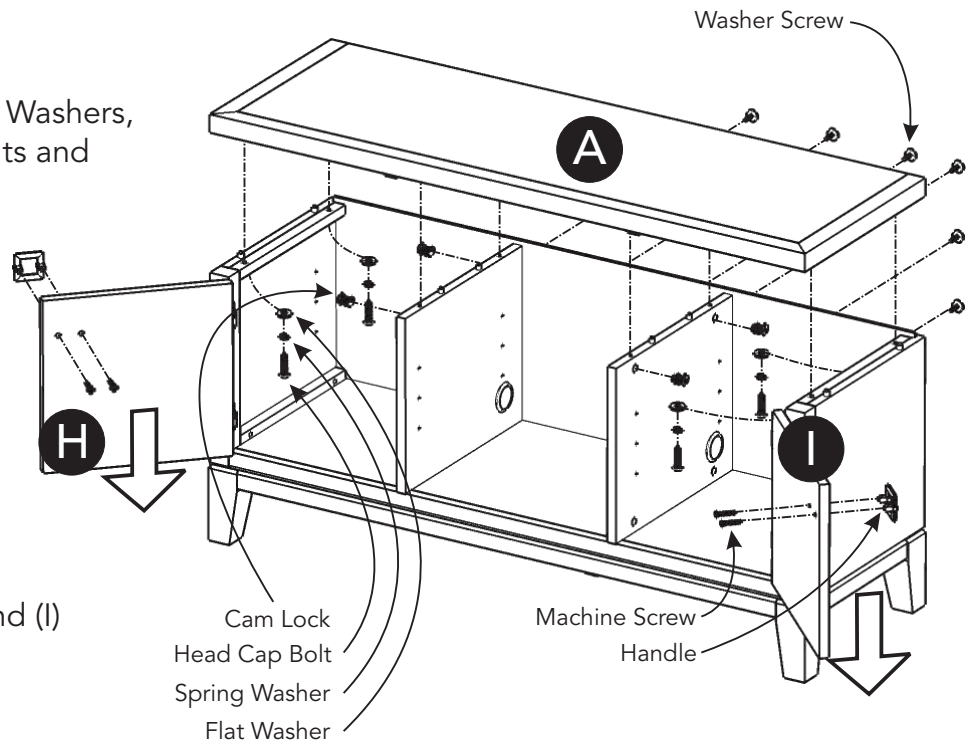


Figure 6

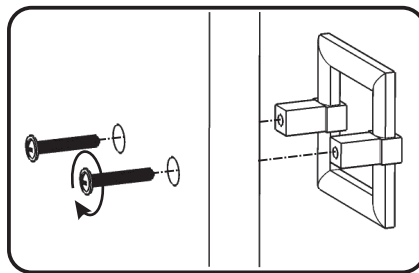


Figure 7

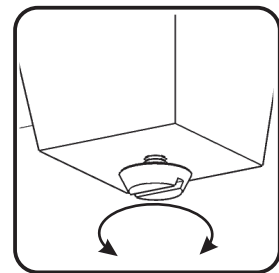


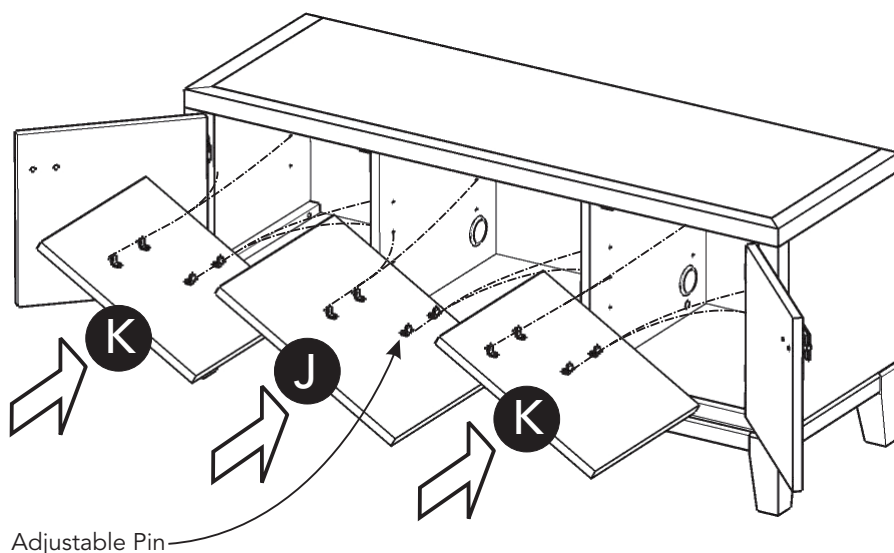
Figure 8

STEP 6

Insert Adjustable Pins into side panels and middle panels at desired level.

Place Shelves (J) and (K) into position.

Level unit by adjusting the adjustable levelers on bottom of unit. (See Figure 8)



Note: Unit must be level to work properly.

Assembly Instructions 5/5

IMPORTANT

- To help reduce the risk of the unit tipping over, the Tip-over Restraint must be installed following these instructions exactly.

STEP 7

Place unit at desired location.

Drill a 3/8" hole in wall in-line with pre-drilled hole at top of unit.

Move unit.

Insert Anchor into the wall hole and attach Bracket with Wall Screw.

Attach Bracket at pre-drilled hole at top of unit with Wood Screw.

Move unit back into place.

Slide Tip-over Restraint through Bracket on wall and Bracket on unit.
(See Figure 9)

Put tie end of Tip-over Restraint into lock end of Tip-over Restraint and pull until tight.

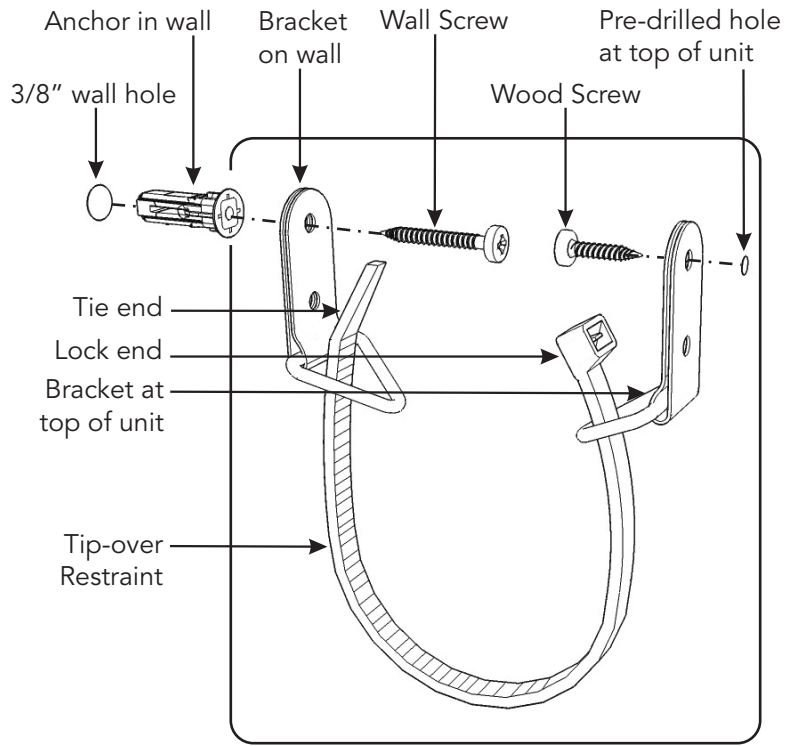
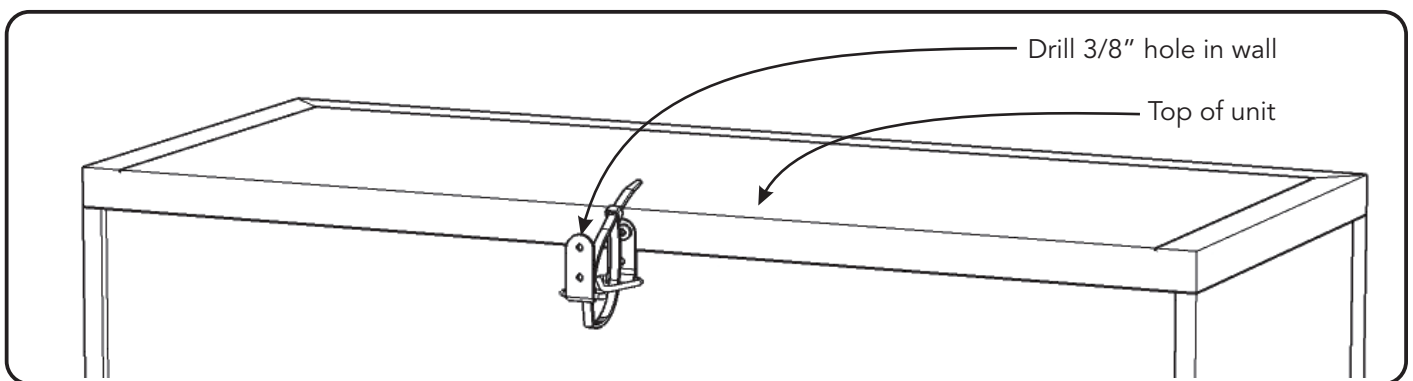
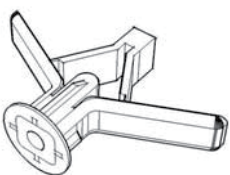


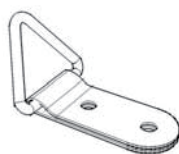
Figure 9



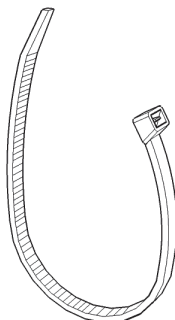
Hardware List



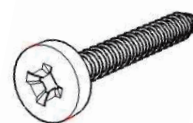
Anchor
1 pc. (+1 extra)



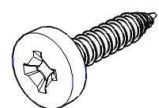
Bracket
2 pcs. (+1 extra)



Tip-over Restraint
1 pc. (+1 extra)



M3.5x40
Wall Screw
1 pc. (+1 extra)



M3.5x16
Wood Screw
1 pc. (+1 extra)

CARE INSTRUCTIONS

NEVER

allow liquids to remain on furniture.
Absorption causes parts to warp
and split and finishes to delaminate.

NEVER

use glass cleaners on
finished furniture. Ammonia
chemically attacks the finish.



Do not use power tools
above 8 volts to assemble.

**PREVENT
CRACKING**



Do not place
in direct sunlight.

**PREVENT
FADING**



Do not write
directly on surface.

**PREVENT
MARKING**



Do not place hot
objects on surface.

**PREVENT
FINISH DAMAGE**



Do not use rubber
based placemats.

**PREVENT
DISCOLORING**



Do not use commercial
waxes and polishes.

**PREVENT
YELLOWING**

CLEAN

with a soft cloth moistened
in lukewarm soap and water.
Buff with a dry clean cloth.



Home Styles will provide replacements free of charge for missing or damaged hardware or parts within 30 days of purchase. Digital images of the defective parts may be required. If the product was not purchased from an authorized retail affiliate, Home Styles is under no obligation to provide replacement parts. Parts are not available for fully assembled items nor are parts available for sale. Replacements for missing or damaged hardware or parts may be requested at:

www.homestyles-furniture.com/customer-service/replacement-parts

Home Styles Customer Service: www.homestyles-furniture.com,
servicedesk@homestyles-furniture.com, 888-680-7460, 877-831-0319