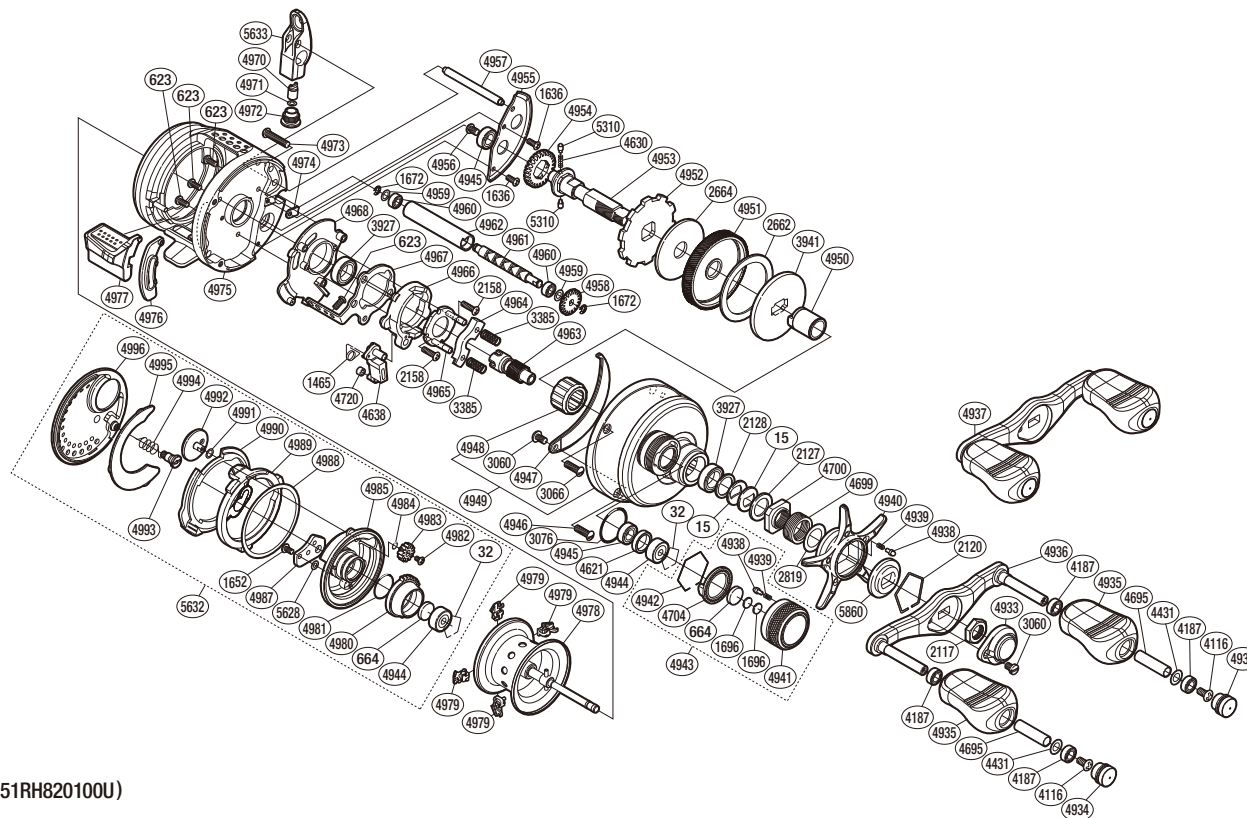


SHIMANO

CALCUTTA CONQUEST

CTCQ-100



(51RH820100U)

#	Part No.	Description	#	Part No.	Description	#	Part No.	Description
15	10D60	Drag Spring Washer	4934	10FMG	Handle Knob Seal	4970	10FFT	Line Guide Pawl
32	10GEW	Bearing Retainer	4935	10325	Handle Knob	4971	10GFH	Washer
623	103C0	Screw	4936	10A68	Handle Shank Assembly	4972	10FJC	Pawl Cap
664	1057S	Spacer B	4937	10CF2	Handle Assembly	4973	10A6J	Screw
1465	10N1Z	Clutch Pawl Spring	4938	10B27	Click Pin	4974	10FTB	Worm Shaft Retainer
1636	10LVG	Screw	4939	10988	Click Spring	4975	10EVJ	One-Piece Frame
1652	10LVE	Screw	4940	10AU1	Star Drag	4976	1096W	Clutch Bar Guide
1672	105NC	E Lock	4941	10KDN	Cast Control Cap	4977	13H21	Clutch Lever
1696	10896	Cast Control Spacer	4942	10L6X	Cast Control Click Holder	4978	10L3M	Spool Assembly
2117	10FSM	Handle Nut	4943	10HWC	Cast Control Cap Assembly	4979	1046H	Brake Shoe M
2120	10KXV	Click Plate Retainer	4944	105C4	Ball Bearing	4980	10EXR	Brake Pipe Gear
2127	10J1N	Star Drag Spacer	4945	105BR	Ball Bearing	4981	10LA8	O Ring
2128	105PW	Bearing Washer	4946	10C3N	Screw	4982	10PRT	Screw
2158	10LUX	Screw	4947	10QCC	Set Plate Sticker	4983	10BGM	Br Dial Gear
2662	1071X	Drag Washer	4948	10F34	Roller Clutch Bearing	4984	10FMT	O Ring
2664	10CJ4	Drag Washer	4949	10HZN	Right Side Plate	4985	10FXF	Brake Case
2819	10HHN	Washer	4950	10BMX	Roller Clutch Inner Tube	4987	10AYW	Damper Bush(A)
3060	10CZ5	Screw	4951	10CMJ	Drive Gear	4988	104MY	Washer
3066	10C3M	Screw	4952	10D70	Anti-Reverse Ratchet	4989	104NB	Brake Case Cam
3076	108W8	O Ring	4953	1058Q	Drive Shaft	4990	10BAQ	Side Plate Cam Lever
3385	104BJ	Yoke Spring	4954	10J6W	Idle Gear	4991	10HYU	Washer
3927	10EX8	Ball Bearing	4955	109SV	Drive Shaft Retainer	4992	10EV4	Br Dial
3941	10D3R	Key Washer	4956	10PVT	Screw	4993	10GM5	B Side Plate Insert
4116	103E9	Screw	4957	10GUF	Level Wind Guide	4994	10KN8	Damper Spring
4187	104VX	Ball Bearing	4958	10FNW	Idle Gear	4995	104H7	B Side Plate Seal
4431	10G8G	Washer	4959	10GFJ	Washer	4996	10D0F	Left Side Plate
4621	10EYR	Bearing Spacer	4960	10PDA	Ball Bearing	5310	10HJG	Idle Gear Pin
4630	10JDX	Idle Gear Spring	4961	104T9	Worm Shaft	5628	10280	Washer
4638	105ZU	Clutch Pawl	4962	10NFS	Level Wind Guard	5632	101Z4	Left Side Plate Assembly
4695	109VL	Handle Knob Pipe	4963	10CS2	Pinion Gear	5633	10TSX	Line Guide
4699	10A71	Star Drag Spring	4964	1046X	Yoke	5860	10J26	Star Drag Click
4700	10A0B	Star Drag Nut	4965	10F3Y	Clutch Cam Retainer			
4704	10L2F	Cast Control Click Plate	4966	10K0X	Clutch Cam			
4720	1048C	Clutch Pawl Bushing	4967	10QGM	Clutch Plate			
4933	10Q5R	Handle Nut Plate	4968	10BVQ	Clutch Guard	4692	10LQ0	B-100 Oil (Accessory)

Please note that the number of adjusting washers may not be the same as shown in the exploded views.
(Adjustment will vary with each individual product.)

(241204)_004